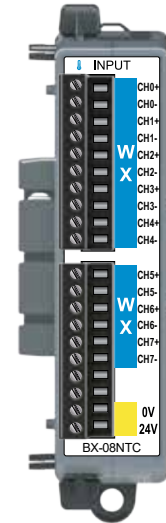


| General Specifications | |
|---------------------------|--|
| Operating Temperature | 0° to 60°C (32° to 140°F) |
| Storage Temperature | -20° to 70°C (-4° to 158°F) |
| Humidity | 5 to 95% (non-condensing) |
| Environmental Air | No corrosive gases permitted |
| Vibration | IEC60068-2-6 (Test Fc) |
| Shock | IEC60068-2-27 (Test Ea) |
| Enclosure Type | Open Equipment |
| Agency Approvals | UL61010-2-201 file E139594, Canada & USA CE (Safety: EN61010-2-201 and Immunity: EN61131-2: 2007) |
| Noise Immunity | NEMA ICS3-304 |
| EU Directive | See the "EU Directive" topic in the BRX Help File. |
| Weight | 98g (3.5 oz) |
| Heat Dissipation | 0.8W |
| Software Version Required | Do-more! Designer Version 2.3, or later. |

*Meets EMC and Safety requirements. See the D.O.C. for details.



BRX-08NTC

Thermistor Expansion Module

8-ch, 16-bit

I/O Terminal Blocks included. (See Terminal Block Connector Spec.table inside).
 Not compatible with the ZIPLink Wiring System

| Thermistor Input Specifications | |
|---------------------------------|--|
| Input Channels | 8 Single Ended |
| Commons | 0 |
| Resolution | 16-bit, ±0.1°C or °F (up to 100Hz filter) |
| Thermistor Input Ranges | 2252 -40°C to 150°C (-40°F to 302°F) 10K-AN Type 3 -40°C to 150°C (-40°F to 302°F) 10K-CP Type 2 -40°C to 150°C (-40°F to 302°F) 5K -40°C to 150°C (-40°F to 302°F) 3K -40°C to 150°C (-40°F to 302°F) 1.8K -40°C to 150°C (-40°F to 302°F) |
| Thermistor Linearization | Automatic |
| Excitation Current (all ranges) | 10uA - 210uA autoscaling |
| Accuracy vs. Temperature | ±10ppm per °C (maximum) |
| Full Scale Calibration | ±1°C |
| Offset Calibration Error | ±1°C |
| Linearity Error (end to end) | Non-Linear |
| Maximum Inaccuracy | 1.0C @ 16.7Hz 2.5C @ 470Hz |
| Warm-up Time | 30 Minutes for ±1°C Repeatability |
| Sample Duration | 120ms@16.7Hz 4ms @ 470Hz |
| All Channel Update Rate | 2.2 s @ 16.7 Hz |
| Open Circuit Detection Time | Within 2s @ 16.7 Hz |
| Common Mode Rejection | 100dB DC 100dB @ 50/60Hz |
| Absolute Maximum Ratings | Fault protected input, ±50V |
| Conversion Method | Sigma-Delta |
| Backplane Power Consumption | 0.1W |
| External DC Power Required | Class 2 or LPS power supply 24VDC (±20%) 25mA |

WARNING: To minimize the risk of potential safety problems, you should follow all applicable local and national codes that regulate the installation and operation of your equipment. These codes vary from area to area and it is your responsibility to determine which codes should be followed, and to verify that the equipment, installation, and operation are in compliance with the latest revision of these codes.

Equipment damage or serious injury to personnel can result from the failure to follow all applicable codes and standards. We do not guarantee the products described in this publication are suitable for your particular application, nor do we assume any responsibility for your product design, installation, or operation.

If you have any questions concerning the installation or operation of this equipment, or if you need additional information, please call Technical Support at 770-844-4200.

This publication is based on information that was available at the time it was printed. At AutomationDirect.com® we constantly strive to improve our products and services, so we reserve the right to make changes to the products and/or publications at any time without notice and without any obligation. This publication may also discuss features that may not be available in certain revisions of the product.

Do-more BRX Manual available at
www.automationdirect.com/pn/doc/manual/BX-08NTC



IMPORTANT!



Hot-Swapping Information
Note: This device cannot be Hot Swapped.

| Document Name | Edition/Revision | Date |
|---------------|------------------|-----------|
| BX-08NTC | 1st Ed. RevA | 11/3/2020 |

Copyright 2021, AutomationDirect.com Incorporated/All Rights Reserved Worldwide.

Terminal Block Connector Specifications

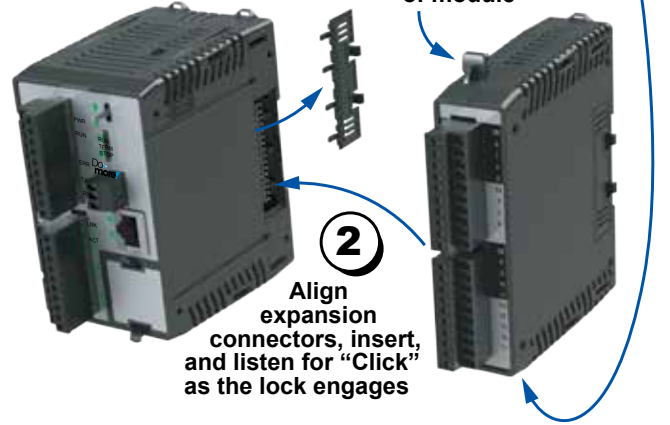
| Part Number | BX-RTB10 (Included) | BX-RTB10-1* | BX-RTB10-2* |
|--------------------------|--------------------------|------------------------|--------------------------|
| Connector Type | Screw Type-90° | Spring Clamp Type-180° | Screw Type-180° |
| Pitch | 3.81mm | 3.81mm | 3.81mm |
| Recommended Screw torque | <1.77 lb-in (0.2 N·m) | N/A | <1.77 lb-in (0.2 N·m) |
| Screwdriver Blade Width | 2.5mm | 2.5mm | 2.5mm |
| Equiv. Dinkle part # | EC381V-10P-BK | ESC381V-10-BK | EC381F-10P-BK |

*Sold separately

Module Installation

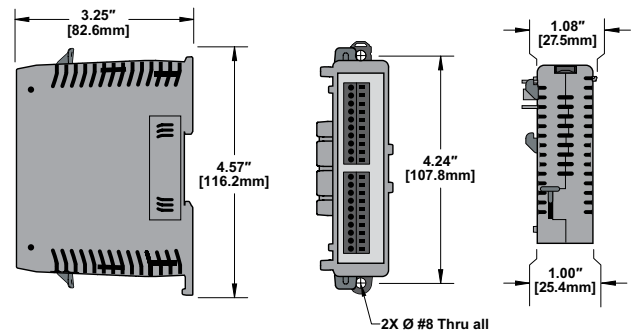
1 To install, remove Connector Cover

To remove, depress disengagement plungers at top and bottom of module



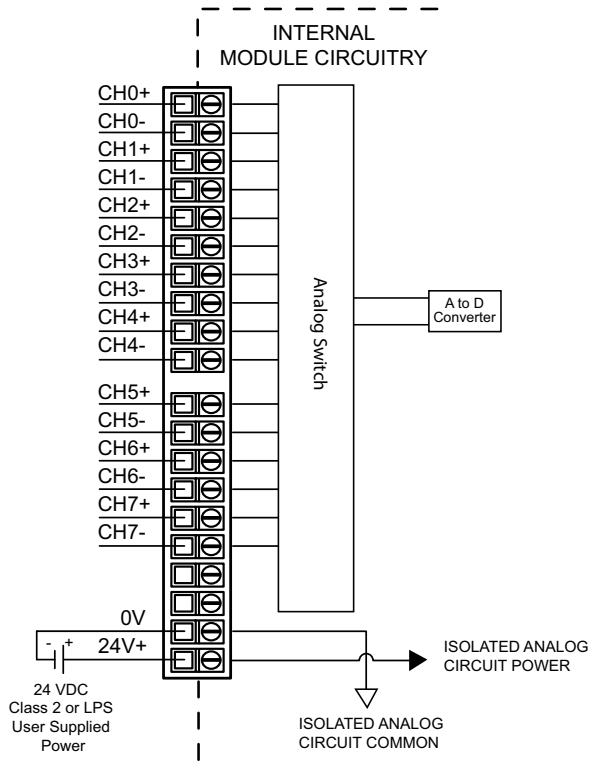
2 Align expansion connectors, insert, and listen for "Click" as the lock engages

Dimensional Information



I/O Wiring

Terminal Block Input Wiring



I/O Wiring

Thermistor Input Circuit

