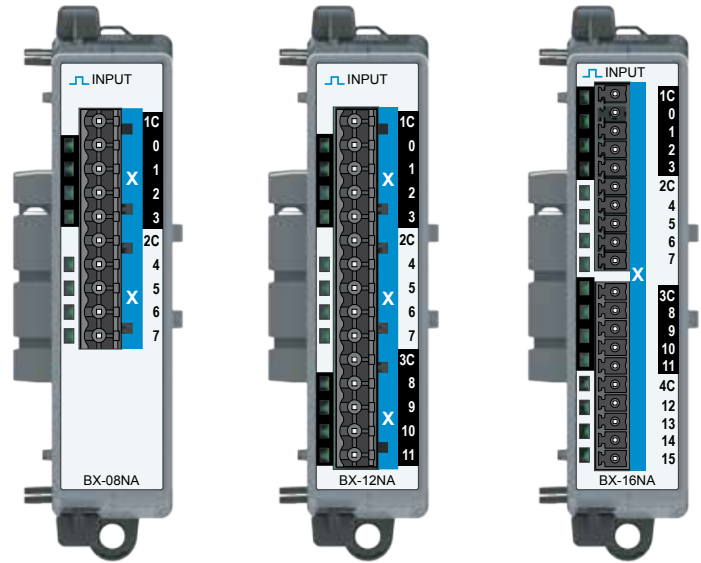
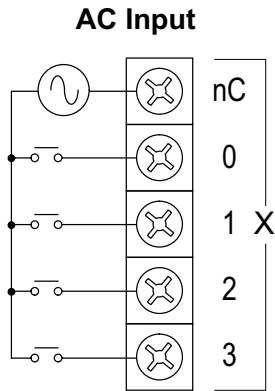


General Specifications		
Operating Temperature	0° to 60° C (32° to 140° F)	
Storage Temperature	-20° to 85° C (-4° to 185° F)	
Humidity	5 to 95% (non-condensing)	
Environmental Air	No corrosive gases permitted	
Vibration	IEC60068-2-6 (Test Fc)	
Shock	IEC60068-2-27 (Test Ea)	
Enclosure Type	Open Equipment	
Agency Approvals	UL61010-2 - UL File # E185989 Canada and USA CE Compliant EN61131-2*	
Noise Immunity	NEMA ICS3-304	
EU Directive	See the "EU Directive" topic in the Help File	
Weight	BX-08NA	91g (3.2 oz)
	BX-12NA	93g (3.3 oz)
	BX-16NA	95g (3.4 oz)
Software Version	Do-more! Designer 2.0 or later	

*Meets EMC and Safety requirements. See the D.O.C. for details.

I/O Wiring



BX-08NA
Input Module
8-pt, 120–240 VAC

BX-12NA
Input Module
12-pt, 120–240 VAC

BX-16NA
Input Module
16-pt, 120–240 VAC

I/O Terminal Blocks sold separately.
 (See Terminal Block Connection Options tables).

Discrete Input Specifications		
Input Type	AC	
Inputs per Module	BX-08NA	8
	BX-12NA	12
	BX-16NA	16
Commons	BX-08NA	2 (4 points/common) Isolated
	BX-12NA	3 (4 points/common) Isolated
	BX-16NA	4 (4 points/common) Isolated
Nominal Voltage Range	120–240 VAC	
Input Voltage Range	85–264 VAC	
Maximum Voltage	264 VAC RMS	
AC Frequency	47–63 Hz	
Input Impedance	15kΩ	
Input Current (typical)	9mA @ 120VAC, 13mA @ 220VAC	
ON Voltage Level	> 85VAC	
OFF Voltage Level	< 40VAC	
Status Indicators	Logic Side, Green	

WARNING: To minimize the risk of potential safety problems, you should follow all applicable local and national codes that regulate the installation and operation of your equipment. These codes vary from area to area and it is your responsibility to determine which codes should be followed, and to verify that the equipment, installation, and operation are in compliance with the latest revision of these codes.

Equipment damage or serious injury to personnel can result from the failure to follow all applicable codes and standards. We do not guarantee the products described in this publication are suitable for your particular application, nor do we assume any responsibility for your product design, installation, or operation.

If you have any questions concerning the installation or operation of this equipment, or if you need additional information, please call Technical Support at 770-844-4200.

This publication is based on information that was available at the time it was printed. At AutomationDirect.com® we constantly strive to improve our products and services, so we reserve the right to make changes to the products and/or publications at any time without notice and without any obligation. This publication may also discuss features that may not be available in certain revisions of the product.

Do-more BRX Manual available at
<http://www.automationdirect.com/pn/doc/manual/BX-USER-M>



IMPORTANT!



Hot-Swapping Information

Note: This device cannot be Hot Swapped.

Document Name	Edition/Revision	Date
BX-xxNA	1st Ed. RevE	11/3/2020

Copyright 2021, AutomationDirect.com Incorporated/All Rights Reserved Worldwide.

Connector Options – 8 and 12 point

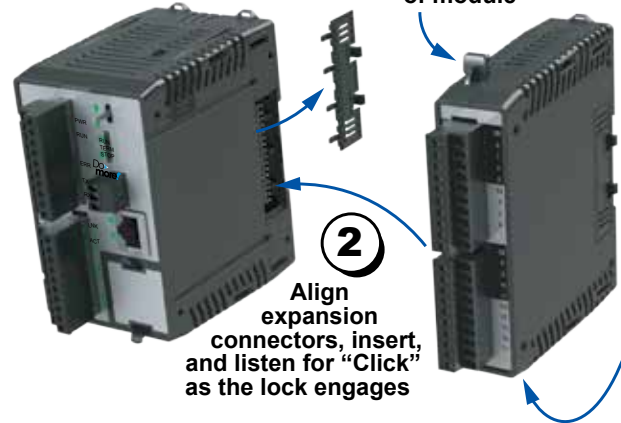
BX-RTB08	Terminal Block Kit, 90-degree screw type. For use with BRX 5-point, 8-point, and 12-point expansion modules. Kit includes (3) 5-pin 5mm plugs.
BX-RTB08-1	Terminal Block Kit, 180-degree spring clamp type. For use with BRX 5-point, 8-point, and 12-point expansion modules. Kit includes (3) 5-pin 5mm plugs.
BX-RTB08-2	Terminal Block Kit, 180-degree screw type. For use with BRX 5-point, 8-point, and 12-point expansion modules. Kit includes (3) 5-pin 5mm plugs.
ZL-BXEM-CBL10	ZIPLink PLC I/O cable, 10-position terminal block to 24-pin connector, 24AWG, cable length 0.5meter (1.6ft). For use with 8-point BRX expansion modules.
ZL-BXEM-CBL10-1	ZIPLink PLC I/O cable, 10-position terminal block to 24-pin connector, 24AWG, cable length 1meter (3.3ft). For use with 8-point BRX expansion modules.
ZL-BXEM-CBL10-2	ZIPLink PLC I/O cable, 10-position terminal block to 24-pin connector, 24AWG, cable length 2meter (6.6ft). For use with 8-point BRX expansion modules.
ZL-BXEM-CBL10-1P	ZIPLink PLC I/O cable, 10-position terminal block to pigtail connection, 24AWG, cable length 1meter (3.3ft). For use with 8-point BRX expansion modules.
ZL-BXEM-CBL10-2P	ZIPLink PLC I/O cable, 10-position terminal block to pigtail connection, 24AWG, cable length 2meter (6.6ft). For use with 8-point BRX expansion modules.
ZL-BXEM-CBL15	ZIPLink PLC I/O cable, 15-position terminal block to 24-pin connector, 24AWG, cable length 1meter (1.6ft). For use with 5-point and 12-point BRX expansion modules.
ZL-BXEM-CBL15-1	ZIPLink PLC I/O cable, 15-position terminal block to 24-pin connector, 24AWG, cable length 1meter (3.3ft). For use with 5-point and 12-point BRX expansion modules.
ZL-BXEM-CBL15-2	ZIPLink PLC I/O cable, 15-position terminal block to 24-pin connector, 24AWG, cable length 2meter (6.6ft). For use with 5-point and 12-point BRX expansion modules.
ZL-BXEM-CBL15-1P	ZIPLink PLC I/O cable, 15-position terminal block to pigtail connection, 24AWG, cable length 1meter (3.3ft). For use with 5-point and 12-point BRX expansion modules.
ZL-BXEM-CBL15-2P	ZIPLink PLC I/O cable, 15-position terminal block to pigtail connection, 24AWG, cable length 2meter (6.6ft). For use with 5-point and 12-point BRX expansion modules.
ZL-RTB20	ZIPLink Two Level Feedthrough Module, 20-pole, 35mm, DIN mount.
ZL-RTB20-1	ZIPLink Three Level Feedthrough Module, 20-pole, 35mm, DIN mount.

Module Installation

1

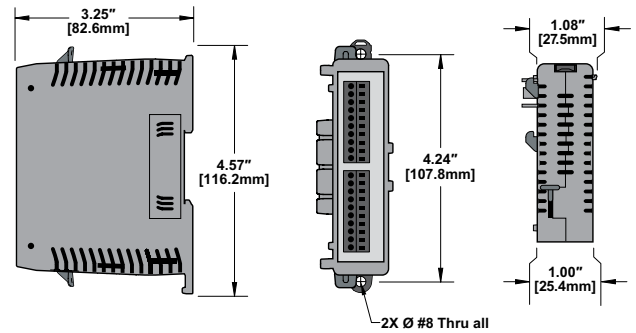
To Install, remove Connector Cover

To remove, depress disengagement plungers at top and bottom of module



Dimensional Information

Note: Drawings are for reference only. Shown without terminal blocks.



Connector Options – 16 point

BX-RTB10	Terminal Block Kit, 90-degree screw type. For use with BRX 10-point PLCs and BRX 16-point expansion modules. Kit includes (2) 10-pin 3.8mm plugs.
BX-RTB10-1	Terminal Block Kit, 180-degree spring clamp type. For use with BRX 10-point PLCs and BRX 16-point expansion modules. Kit includes (2) 10-pin 3.8mm plugs.
BX-RTB10-2	Terminal Block Kit, 180-degree screw type. For use with BRX 10-point PLCs and BRX 16-point expansion modules. Kit includes (2) 10-pin 3.8mm plugs.
ZL-BXEM-CBL20	ZIPLink PLC I/O cable, 20-position terminal block to 24-pin connector, 24AWG, cable length 0.5meter (1.6ft). For use with 16-point BRX expansion modules.
ZL-BXEM-CBL20-1	ZIPLink PLC I/O cable, 20-position terminal block to 24-pin connector, 24AWG, cable length 1meter (3.3ft). For use with 16-point BRX expansion modules.
ZL-BXEM-CBL20-2	ZIPLink PLC I/O cable, 20-position terminal block to 24-pin connector, 24AWG, cable length 2meter (6.6ft). For use with 16-point BRX expansion modules.
ZL-BXEM-CBL20-1P	ZIPLink PLC I/O cable, 20-position terminal block to pigtail connection, 24AWG, cable length 1meter (3.3ft). For use with 16-point BRX expansion modules.
ZL-BXEM-CBL20-2P	ZIPLink PLC I/O cable, 20-position terminal block to pigtail connection, 24AWG, cable length 2meter (6.6ft). For use with 16-point BRX expansion modules.
ZL-RTB20	ZIPLink Two Level Feedthrough Module, 20-pole, 35mm, DIN mount.
ZL-RTB20-1	ZIPLink Three Level Feedthrough Module, 20-pole, 35mm, DIN mount.

8 and 12-point Terminal Block Connector Specifications

Part Number	BX-RTB08	BX-RTB08-1	BX-RTB08-2
Connector Type	Screw Type-90°	Spring Clamp Type-180°	Screw Type-180°
Wire Exit	180°	180°	180°
Pitch	5.0mm	5.0mm	5.0mm
Screw Size	M2.5	N/A	M2.5
Recommended Screw torque	< 3.98 lb-in (0.45 N·m)	N/A	< 3.98 lb-in (0.45 N·m)
Screwdriver Blade Width	3.5mm	3.5mm	3.5mm
Wire Gauge (Single Wire)	28-12 AWG	28-14 AWG	28-12 AWG
Wire Gauge (Two Wires)	28-16 AWG	28-16 AWG (Dual Wire Ferrule Required)	28-16 AWG
Wire Strip Length	0.3in (7.5mm)	0.37in (9.5mm)	0.3in (7.5mm)
Equiv. Dinkle part #	5ESDV-05P-BK	5ESDSR-05P-BK	5ESDF-05P-BK

16 point Terminal Block Connector Specifications

Part Number	BX-RTB10	BX-RTB10-1	BX-RTB10-2
Connector Type	Screw Type-90°	Spring Clamp Type-180°	Screw Type-180°
Wire Exit	180°	180°	180°
Pitch	3.81mm	3.81mm	3.81mm
Screw Size	M2	N/A	M2
Recommended Screw torque	<1.77 lb-in (0.2 N·m)	N/A	<1.77 lb-in (0.2 N·m)
Screwdriver Blade Width	2.5mm	2.5mm	2.5mm
Wire Gauge (Single Wire)	28-16 AWG	28-18 AWG	30-16 AWG
Wire Gauge (Two Wires)	28-18 AWG	30-20 AWG (Dual Wire Ferrule Required)	30-18 AWG
Wire Strip Length	0.24in (6mm)	0.35in (9mm)	0.26in (6.5mm)
Equiv. Dinkle part #	EC381V-10P-BK	ESC381V-10-BK	EC381F-10P-BK