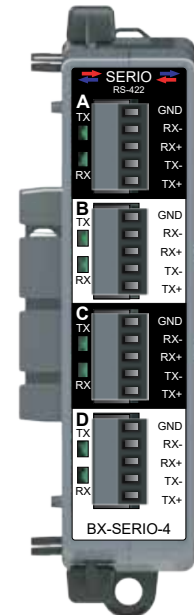


General Specifications	
Operating Temperature	0° to 60°C (32° to 140°F)
Storage Temperature	-20° to 85°C (-4° to 185°F)
Humidity	5 to 95% (non-condensing)
Environmental Air	No corrosive gases permitted
Vibration	IEC60068-2-6 (Test Fc)
Shock	IEC60068-2-27 (Test Ea)
Enclosure Type	Open Equipment
Agency Approvals	UL61010-2 - UL File # E185989 Canada and USA CE Compliant EN61131-2*
Noise Immunity	NEMA ICS3-304
EU Directive	See the "EU Directive" topic in the Help File
Heat Dissipation	1.2W
Weight	85g (3 oz)
Software Version	Do-more! Designer 2.7 or later

*Meets EMC and Safety requirements. See the D.O.C. for details.

NOTE: Cannot be used in Remote I/O Bases.

The BX-SERIO-4 supports point to point wiring only. Multi-Drop wiring is not supported.



BX-SERIO-4

Serial I/O Module

4 ports, RS-422

Four removable 5-pin connectors included.

RS-422 Serial Port Specifications	
Port Name	RS-422 Serial Port
Description	Isolated Serial port that can communicate via RS-422. Includes ESD protection and built-in surge protection.
Supported Protocols	Do-more! Protocol (Default) Modbus RTU (Master & Slave) K-Sequence (Slave) ASCII (in & Out)
Data Rates	1200, 2400, 4800, 9600, 19200, 38400, 57600, and 115200
Default Settings	RS-422, 115200 bps, No Parity, 8 Data Bits, 1 Stop Bit, Station #1
Port Status LED	Green LED is illuminated when active for TXD and RXD
Port Type	5-pin terminal strip 3.5mm pitch
RS-422 Station Addresses	1-247
RS-422 TXD-/RXD-	RS-422 transceiver low
RS-422 GND	Logic ground
RS-422 Input Impedance	96kΩ
RS-422 Maximum Load	1 transceiver, 19kΩ each, 120Ω termination
RS-422 Output Short Circuit Protection	+/-250mA, thermal shut-down protection
RS-422 Minimum Differential Output Voltage	2.0 VDC with 54Ω load
RS-422 Maximum Common Mode Voltage	-7.5-12.5 VDC
RS-422 Fail Safe Inputs	Logic high input state if inputs are unconnected
RS-422 Electrostatic Discharge Protection	±15kV per IEC61000-4-2
Cable Requirements	RS-422 use L19853-XXX from AutomationDirect.com
Replacement Connector	ADC Part # BX-RTB05S

WARNING: To minimize the risk of potential safety problems, you should follow all applicable local and national codes that regulate the installation and operation of your equipment. These codes vary from area to area and it is your responsibility to determine which codes should be followed, and to verify that the equipment, installation, and operation are in compliance with the latest revision of these codes.

Equipment damage or serious injury to personnel can result from the failure to follow all applicable codes and standards. We do not guarantee the products described in this publication are suitable for your particular application, nor do we assume any responsibility for your product design, installation, or operation.

If you have any questions concerning the installation or operation of this equipment, or if you need additional information, please call Technical Support at 770-844-4200.

This publication is based on information that was available at the time it was printed. At AutomationDirect.com® we constantly strive to improve our products and services, so we reserve the right to make changes to the products and/or publications at any time without notice and without any obligation. This publication may also discuss features that may not be available in certain revisions of the product.

Do-more! BRX Manual available at www.automationdirect.com/pn/doc/manual/bx-serio-4



IMPORTANT!



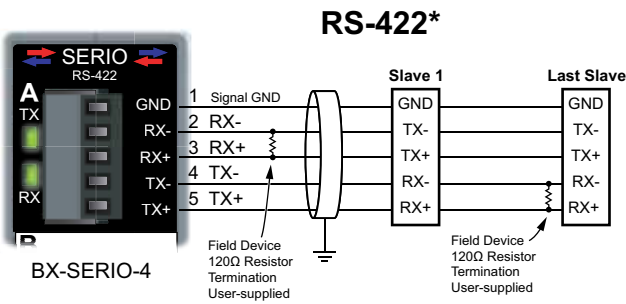
Hot-Swapping Information

Note: This device cannot be Hot Swapped.

Document Name	Edition/Revision	Date
BX-SERIO-4	1st Ed.	11/3/2020

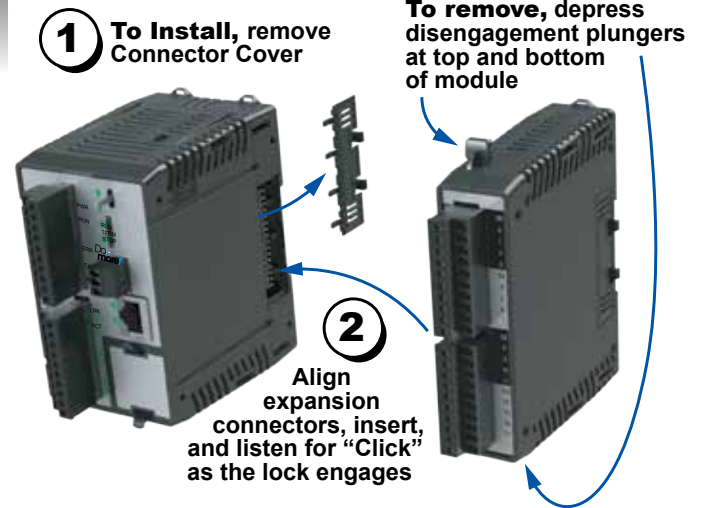
Copyright 2021 AutomationDirect.com Incorporated/All Rights Reserved Worldwide.

Field Wiring Information



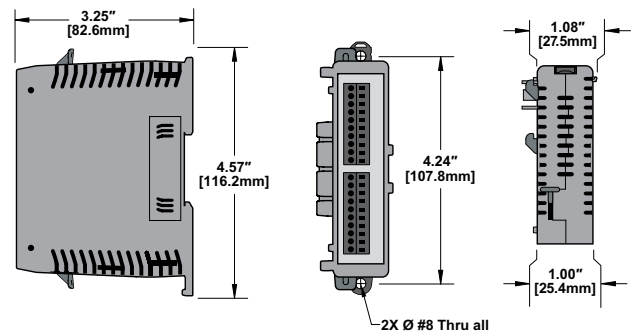
NOTE: ADC # L19853-XXX or equivalent is recommended for RS-422 networks.

Module Installation

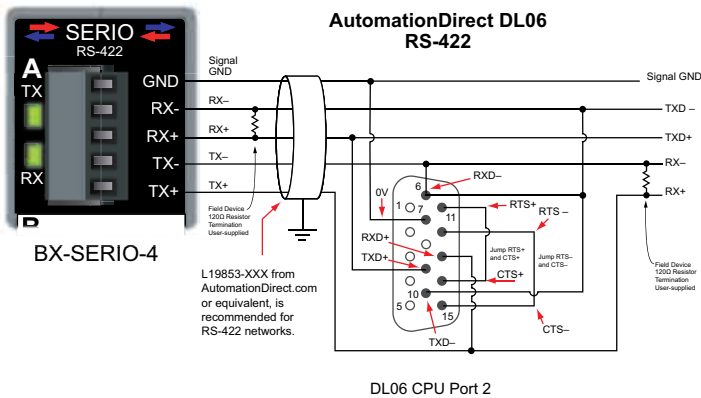


Dimensional Information

Note: Drawings are for reference only. Shown without terminal blocks.



Example Wiring Connections





Terminal Block Connector Specifications

Part Number	BX-RTB05S
Connector Type	Screw Type-90
Wire Exit	180 degree Wire Exit
Pitch	3.5mm
Screw Size	M2
Recommended Screw torque	<1.77Lb-in (0.2 N-m)
Screwdriver Blade Width	2.5mm
Wire Gauge (Single Wire)	28-16 AWG
Wire Gauge (Two Wires)	28-16 AWG
Wire Strip Length	0.24in (6mm)
Equiv. Dinkle part #	EC350V-05P-BK

RS-422 Port Replacement Connector

Replacement Connector	ADC Part # BX-RTB05S
-----------------------	----------------------





Pinout	RS422
1	GND
2	RX-
3	RX+
4	TX-
5	TX+