



Errata Sheet

This Errata Sheet contains corrections or changes made after the publication of this manual.

Product Family: DL305

Date: 07.28.2021

Manual Number D3-USER-M

Revision and Date 1st Edition, Rev. D; January 2010

07.28.2021

D3-HP is discontinued as of 06/2021. D3-HPP was discontinued 01/2018. Please consider the Productivity, BRX, or CLICK Series of PLC systems as a replacement.

07.16.2021

Changes to Chapter 5 & 6.

D3-16ND2-1 Discrete Input module has been discontinued as of 07/2021: Please consider the Productivity, BRX or CLICK Series of PLC systems as a replacement.



Errata Sheet

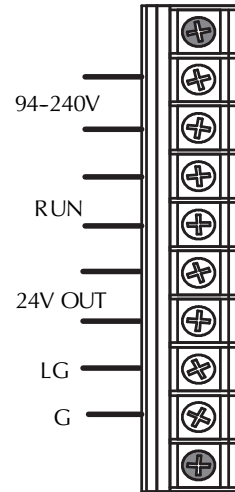
This Errata Sheet contains corrections or changes made after the publication of this manual.

08.2018

Changes to Chapter 2. Installation and Safety Guidelines

Page 2-12. Base Wiring

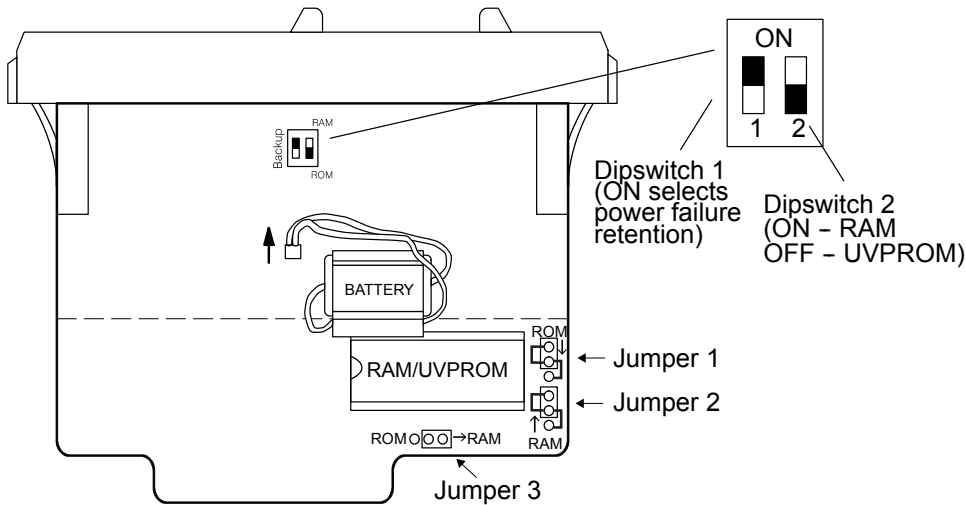
On newer 110-240 VAC bases, the terminal strip has been re-designed and does not have different terminals for 110VAC and 240VAC connections. If you have one of these re-designed bases the terminal strip will look like the graphic shown here.



Changes to Chapter 3. DL330/DL330P/DL340 CPU Specifications

Page 3-9. DL330/DL330P CPU Setup; Installing the UVPROM Option in the DL330/DL330P CPU.

The drawing showing the jumpers is missing the silkscreen jumper lines and arrows for jumpers 1, 2, and 3. Refer to this drawing.





Errata Sheet

This Errata Sheet contains corrections or changes made after the publication of this manual.

05.2018

Changes to Chapter 3. DL330/DL330P/DL340 CPU Specifications

Page 3-14. Battery Backup:

Please revise the first WARNING on this page (right above the battery replacement drawings) as follows:



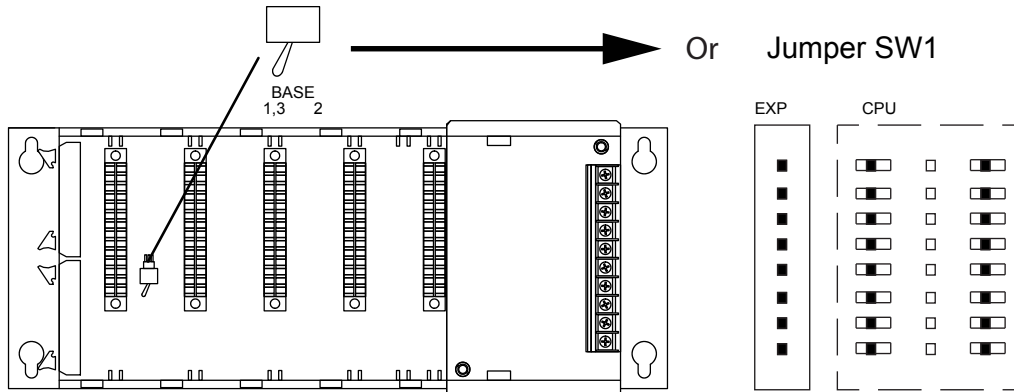
WARNING: If the battery is not installed or connected to the PC board, the 330 CPU will NOT notify you of the error. Be sure the battery is in place and the connector is firmly seated before you install the CPU into the base.

Changes to Chapter 4. Bases, Expansion Bases, and I/O Configuration

Page 4-16. Setting the Base Switches; 5 Slot Bases:

Replace the drawing of the 5 slot base with this one. Newer 5 slot bases have jumper switch SW1 instead of the toggle switch to set whether the base is a local CPU base or an expansion base.

NOTE: Older bases have a toggle switch to set the base as the CPU local base, the first expansion base, or the second (last) expansion base. Newer bases have the jumper SW1 in place of the switch.



Changes to Chapter 5. I/O Module Selection & Wiring Guidelines

Page 5-12. Fuse Protection

Replace the WARNING on this page with the following one:



WARNING: Modules which have soldered-in fuses or non-replaceable fuses are non-repairable and should be replaced with new modules.



Errata Sheet

This Errata Sheet contains corrections or changes made after the publication of this manual.

05.2018, cont'd

Changes to Chapter 11. Instruction Set; Timer, Counter, and Shift Register Instructions

Page 11-22. Timer (TMR) DL330/DL340 Only

Page 11-23. Counter (CNT) DL330/DL340 Only

Add this NOTE to both of these pages:



NOTE: *The counters and timers both time in Decimal and not in BCD. Presets for both are also interpreted as decimal data and not as BCD.*

Changes to Chapter 13. Maintenance and Troubleshooting

Page 13-13. Add the following to the end of this chapter (right after END Instruction Placement):

Reset the PLC to Factory Defaults



NOTE: *Resetting to factory defaults will not clear any password stored in the PLC.*

Resetting a DirectLogic PLC to Factory Defaults is a two-step process. Be sure to have a verified backup of your program using “Save Project to Disk” from the File menu before performing this procedure. Please be aware that the program as well as any settings will be erased and not all settings are stored in the project. In particular you will need to write down any settings for Secondary Communications Ports and manually set the ports up after resetting the PLC to factory defaults.

Step 1 – While connected to the PLC with DirectSoft, go to the PLC menu and select; “Clear PLC Memory”. Check the “ALL” box at the bottom of the list and press “OK”.

Step 2 – While connected with DirectSoft, go the PLC menu and then to the “Setup” submenu and select “Initialize Scratch Pad”. Press “Ok”.

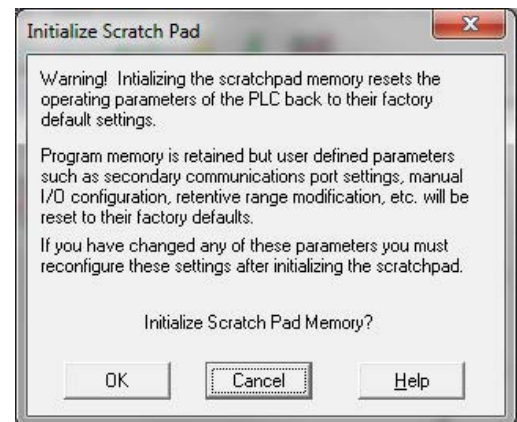
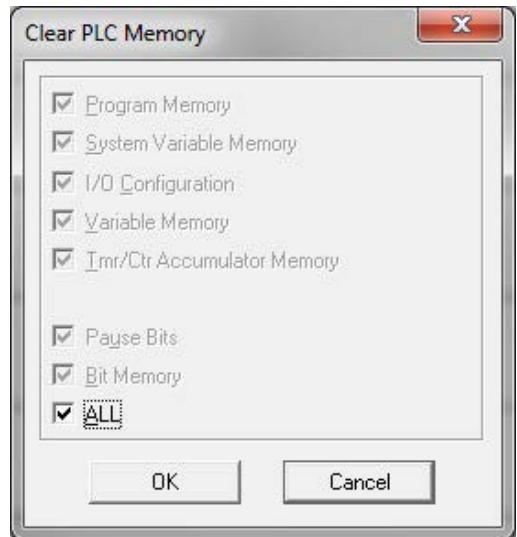
NOTE: All configurable communications ports will be reset to factory default state. If you are connected via Port 2 or another configurable port, you may be disconnected when this operation is complete.



NOTE: *Retentive ranges will be reset to the factory settings.*

NOTE: *Manually addressed IO will be reset to factory default settings.*

The PLC has now been reset to factory defaults and you can proceed to program the PLC.





Errata Sheet

This Errata Sheet contains corrections or changes made after the publication of this manual.

06.13.2012

Changes to Chapter 3. DL330/DL330P/DL340 CPU Specifications

Page 3-3. CPU Specifications

DL340 CPUs DO NOT support overrides. In row 3, Supports Overrides, change the "Yes" in the DL340 column to "No".

Maintenance and Troubleshooting

In This Chapter. . . .

- Maintenance
- CPU Indicators
- Power Indicator
- RUN Indicator
- CPU Indicator
- BATT Indicator
- Expansion Base Power
- Testing Output Points
- I/O Module Troubleshooting
- Noise Troubleshooting
- Machine Startup and Program Troubleshooting

Handheld Programmer D3-HP & D3-HPP have been retired as of 03/2021 & 01/2018 respectively. Please consider Productivity, BRX, or CLICK series PLC systems as upgrades.

Maintenance

The DL305 is a low maintenance system requiring only a few periodic checks to ensure your system stays up and running without problems. There are two things you should check periodically.

- Air quality (cabinet temperature, etc.)
- CPU battery

Air Quality Maintenance

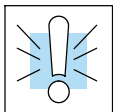
The quality of the air your system is exposed to can affect system performance. If you have placed your system in an enclosure, check to see the ambient temperature is not exceeding the operating specifications. If there are filters in the enclosure, you should clean or replace them as necessary. A good guideline is to check your system environment every one to two months and make sure the environment meets the system operating specifications.

CPU Battery Replacement

The CPU battery is used to retain the application program, data register, and retentive memory types. The life expectancy of this battery is five years.



NOTE: Before replacing your CPU battery, you should back-up your application program. This can be done by saving the program to hard/floppy disk on a personal computer or using the handheld programmer along with a cassette tape recorder. The CPU has a built-in capacitor to retain the memory for several minutes while the battery is being replaced. Saving the program prior to replacing the battery is just an added precaution.

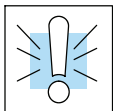


WARNING: If the battery connector is not connected to the PC board or the battery is left out of the system, the indicator light will not notify you of the error. Be sure the battery is in place and the connector is firmly seated before you place the CPU back into the base.

DL330, DL330P, DL340 CPU Battery Replacement

To replace the CPU battery:

1. Turn power off to the system.
2. Wait 60 seconds then remove the CPU. Do not short any connectors or components on the CPU since it may alter the program memory.
3. Unlatch and tilt the clip covering the battery.
4. Pull the two wire battery connector from the PC board.
5. Remove the battery.

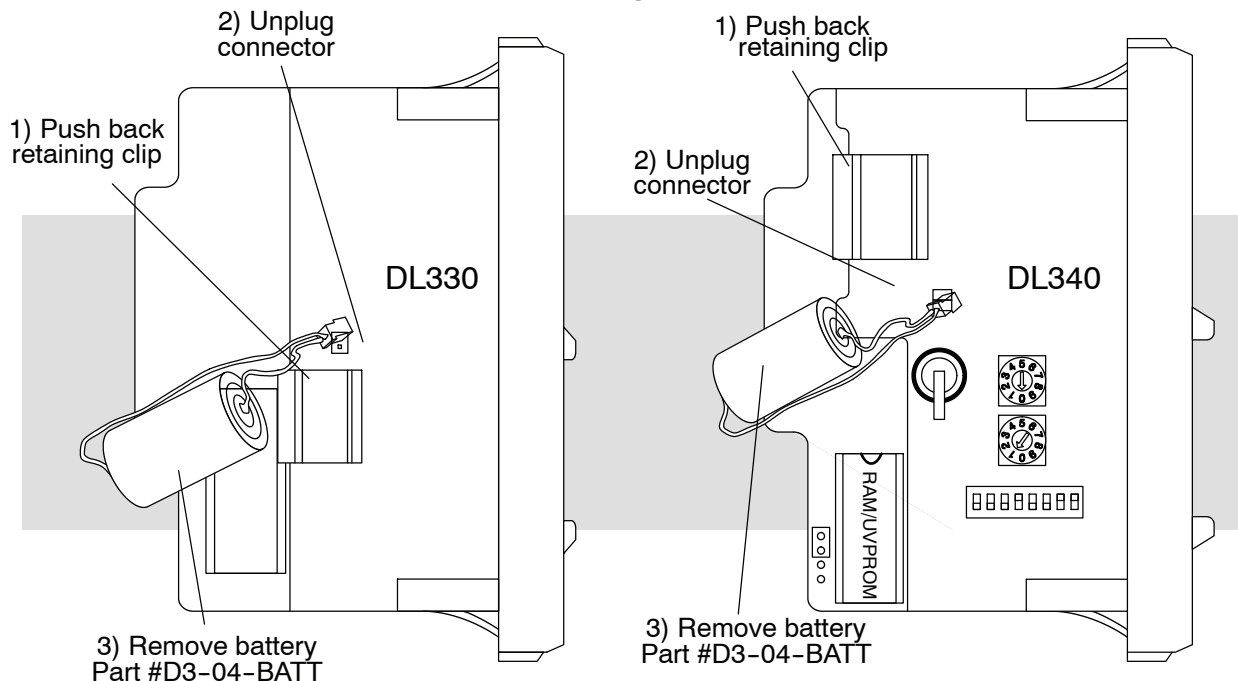


WARNING: Do not attempt to recharge the battery or dispose of it by fire. The battery may explode or release hazardous materials.

To install the CPU battery:

1. Plug the (keyed) two wire battery connector on the battery into the connector on the PC board.
2. Push gently till the connector snaps closed
3. Slide the battery under the battery retaining clip till the battery is positioned in the socket.
4. Push the retaining clip down over the battery snapping the clip over the edge of the PC board.
5. Note the date the battery was changed.

Battery Removal



CPU Indicators

The DL305 CPUs have indicators on the front to help you diagnose problems with the system. The table below gives a quick reference of potential problems with each status indicator. Following the table will be a detailed analysis of each of these indicator problems.

Indicator Status	Potential Problems
Power (off)	<ol style="list-style-type: none"> 1. Improper wiring 2. Power supply fuse is blown 3. Power supply/CPU is faulty 4. Other component such as an I/O module has power supply shorted 5. Power budget exceeded for the base power supply
RUN (will not come on)	<ol style="list-style-type: none"> 1. CPU programming error 2. Key switch on handheld not in RUN mode
CPU (on)	<ol style="list-style-type: none"> 1. CPU defective 2. Severe electrical noise interference
BATT (on)	CPU battery low
BATT (flashing)	CPU in update mode

Power Indicator

In general there are four reasons for the CPU power status LED to be OFF:

1. Power to the base is incorrect or is not applied.
2. The power supply has a blown fuse.
3. Base power supply is faulty.
4. Other component(s) have the power supply shut down. This problem could be in the base or in the I/O modules.
5. Power budget for the base has been exceeded.

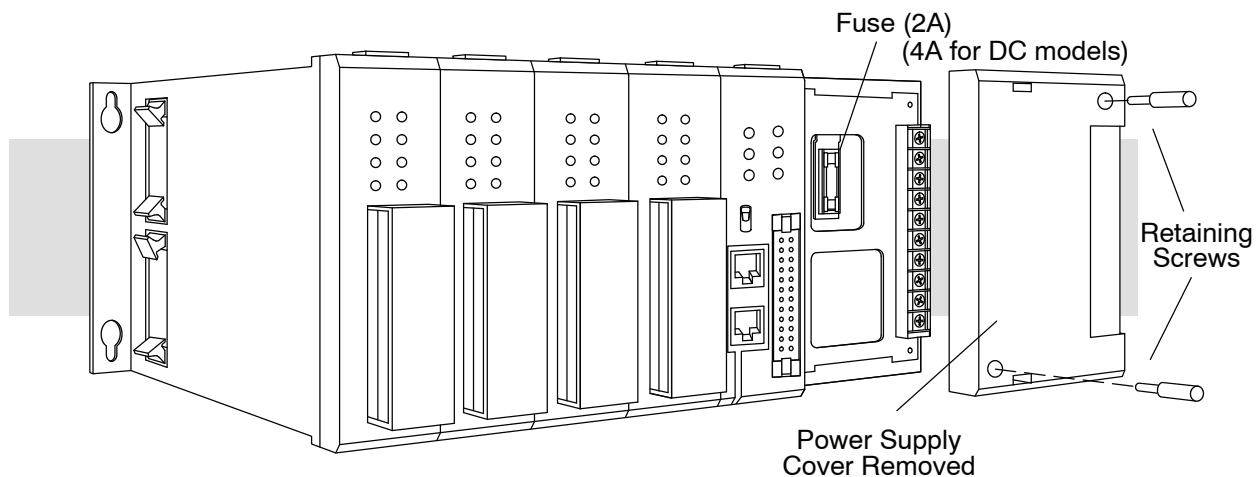
Incorrect Base Power

If the voltage to the power supply is not correct, the CPU may not operate properly or may not operate at all. If this is a new installation, first check the terminal strip on the local CPU base to insure the base is wired correctly. If it is wired for 110 VAC while using 220 VAC the power supply in the base will be damaged. If this has happened, you will need to replace your base. If the wiring is correctly installed for the AC or DC you are using, you should measure the voltage at the terminal strip to insure it is within specification for the base you are using. If the voltage is not correct shut down the system and correct the problem.

Power Supply Blown Fuse

The fuse for base power is located behind the power supply cover at the right side of the base.

1. Remove power from the base.
2. Remove the two slotted insert screws from the front cover.
3. Remove and replace the 2A 250V fuse. (4A 250V for the DC models)
4. Place the front cover back on the power supply and insert the screws.
5. Reapply power to the system.



Faulty Base Power Supply

There is not a good check to test for a faulty power supply other than substituting a known good base to see if this corrects the problem. If you have experienced major power surges, it is possible the base and power supply have been damaged. If you suspect this is the cause of the power supply damage, a line conditioner which removes damaging voltage spikes should be used in the future.

Device or Module Causing the Power Supply to Shutdown

It is possible a faulty module or external device using the system power can shut down the power supply.

To test for a device causing this problem:

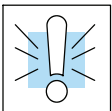
- Turn off power to the base.
- Disconnect all external devices (example Data Communication Unit, Prom Writer Unit) from the CPU.
- Reapply power to the base.

If the Power LED does not operate normally the problem is most likely in one of the modules in the base. To isolate which module is causing the problem remove one module at a time till the Power LED operates normally. Follow the procedure below:

- Turn off power to the base.
- Remove a module from the base.
- Reapply power to the base.

Power Budget Exceeded

This normally would not be the problem if the machine had been operating correctly for a considerable amount of time prior to the indicator going off. Power budgeting problems usually occur during system start-up when the PLC is under operation and the inputs/outputs are requiring more current than the base power supply can provide.



WARNING: The PLC may reset if the power budget is exceeded. If there is any doubt about the system power budget, please check it at this time. Exceeding the power budget can cause unpredictable results which can cause damage and injury. Verify the modules in the base operate within the power budget for the chosen base. You can find additional information on power budget calculations by reviewing Chapter 4.

CPU Firmware Update Mode

The D3-330 CPU firmware can be updated by replacing the EPROM with the new firmware programmed into it. The D3-340 CPU firmware can be updated with a firmware update tool. When this tool is used, the BATT indicator will flash as the CPU is being updated. Contact AutomationDirect Technical support team at 770-844-4200 for assistance.

RUN Indicator

If the CPU will not enter the run mode (the RUN indicator is off), the problem is usually in the application program unless the CPU has a fatal error in which case the CPU LED should be on.

Both of the programming devices, handheld programmer and PC programming package, will return a error message and depending on the error may also recommend an AUX function to run that will aid in further diagnosing the problem. A complete list of error codes can be found in Appendix B.

CPU Indicator

If the CPU indicator is on, a fatal error has occurred in the CPU. Generally, this is not a programming problem but an actual hardware failure. You can power cycle the system to clear the error. If the error clears the system should be closely monitored and every effort should be made to try to determine the cause of the problem. You will find this problem is sometimes caused by high frequency electrical noise introduced into the CPU from a outside source. Check your system grounding and install electrical noise filters if the grounding is suspected. If power cycling the system does not reset the error or if the problem returns replace the CPU. The CPU indicator lights when the watchdog timer is not processed within 100 ms. The RUN output from the power supply will also turn off.

BATT Indicator

If the BATT indicator is on, the CPU battery is low and needs to be replaced. The battery voltage is continuously monitored while the system voltage is being supplied. The detection circuit will be activated when the voltage drops to 2.5 volts and CPU operation will still continue as normal. Internal relay 377 energizes when the BATT indicator is on.

Procedures for how to replace the battery can be found earlier in this chapter.

Expansion Base Power

Because an expansion base contains no CPU the only method of determining if the base power supply is functioning correctly is the run relay provided for that base. This relay can be connected to an input point on the local CPU base or an external warning indicator to monitor the expansion base power supply. If the power supply fails, the run relay will open. The procedures for troubleshooting the expansion bases are the same as a local CPU base. Refer to the Power Indicator section for procedures.

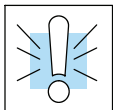
Testing Output Points

Testing Output Points

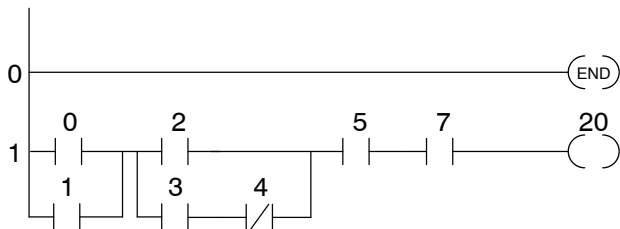
Output points can be set on or off in the DL305 series CPUs but they cannot be forced in such a way which overrides ladder logic. If you want to do an I/O check out independent of the application program follow the procedure below.

Step	Action
1	If you are using the handheld programmer, change the keyswitch to PRG, if you are using <i>DirectSOFT</i> select program mode.
2	Go to address 0 (handheld SHF NXT keys) .
3	Insert a "END" (handheld CLR SHF INS NXT keys) statement at address 0. (This will cause program execution to occur only at address 0 and prevent the application program from turning the I/O points on or off).
4	Change to Run mode using the handheld programmer or <i>DirectSOFT</i> .
5	Use the programming device to set (turn on) or reset (turn off) the points you wish to test.
6	When you finish testing I/O points go to address 0 (handheld SHF, NXT, NXT keys) and delete the "END" statement (handheld keys DEL PRV)

The following diagram shows the Handheld Programmer keystrokes used to test an output point.



WARNING: Depending on your application, forcing I/O points may cause unpredictable machine operation that can result in a risk of personal injury or equipment damage. Make sure you have taken all appropriate safety precautions prior to testing any I/O points.



Insert a END statement at the beginning of the Program. This disables the remainder of the program.

To monitor the output point on the handheld programmer use the following keystrokes

SHF 2 0 MON

To turn on the output point use the following keystrokes

SET SHF 2 0 ENT

To turn off the output point use the following keystrokes

RST SHF 2 0 ENT

When the MON command is used, the LED display shows 16 consecutive status points. The MON command has designated this LED to be output number 20.

(20)	0 AND	4 OUT	0 MCS	4 ADR
(21)	1 OR	5 TMR	1 MCR	5 SHF
(22)	2 STR	6 CNT	2 SET	6 DATA
(23)	3 NOT	7 SR	3 RST	7 REG
(20)	0 AND	4 OUT	0 MCS	4 ADR
(21)	1 OR	5 TMR	1 MCR	5 SHF
(22)	2 STR	6 CNT	2 SET	6 DATA
(23)	3 NOT	7 SR	3 RST	7 REG

I/O Module Troubleshooting

Important Notes About I/O Module Diagnostics

When troubleshooting the DL series I/O modules there are a few facts you should be aware of. These facts may assist you in quickly correcting an I/O problem.

- The output modules cannot detect shorted or open output points. If you suspect one or more points on a output module to be faulty, you should measure the voltage drop from the common to the suspect point. Remember when using a Digital Volt Meter, leakage current from an output device such as a triac or a transistor must be considered. A point which is off may appear to be on if no load is connected the point.
- If the I/O status indicators on the modules are logic side indicators. This means the LED which indicates the on or off status reflects the status of the point in respect to the CPU. On a output module the status indicators could be operating normally while the actual output device (transistor, triac etc.) could be damaged. With an input module if the indicator LED is on, the input circuitry should be operating properly. To verify proper functionality check to see the LED goes off when the input signal is removed.
- Leakage current can be a problem when connecting field devices to I/O modules. False input signals can be generated when the leakage current of an output device is great enough to turn on the connected input device. To correct this install a resistor in parallel with the input or output of the circuit. The value of this resistor will depend on the amount of leakage current and the voltage applied but usually a 10K to 20K ohm resistor will work. Insure the wattage rating of the resistor is correct for your application.
- The easiest method to determine if a module has failed is to replace it if you have a spare. However, if you suspect another device to have caused the failure in the module, that device may cause the same failure in the replacement module as well. As a point of caution, you may want to check devices or power supplies connected to the failed module before replacing it with a spare module.

Noise Troubleshooting

Electrical Noise Problems

Noise is one of the most difficult problems to diagnose. Electrical noise can enter a system in many different ways and they fall into two categories, conducted or radiated. It may be difficult to determine how the noise is entering the system but the corrective actions for either of the types of noise problems are similar.

- Conducted noise is when the electrical interference is introduced into the system by way of a attached wire, panel connection ,etc. It may enter through an I/O module, a power supply connection, the communication ground connection, or the chassis ground connection.
- Radiated noise is when the electrical interference is introduced into the system without a direct electrical connection, much in the same manner as radio waves.

Reducing Electrical Noise

While electrical noise cannot be eliminated it can be reduced to a level that will not affect the system.

- Most noise problems result from improper grounding of the system. A good earth ground can be the single most effective way to correct noise problems. If a ground is not available, install a ground rod as close to the system as possible. Insure all ground wires are single point grounds and are not daisy chained from one device to another. Ground metal enclosures around the system. A loose wire is no more than a large antenna waiting to introduce noise into the system; therefore, you should tighten all connections in your system. Loose ground wires are more susceptible to noise than the other wires in your system. Review Chapter 2 Installation and Safety Guidelines if you have questions regarding how to ground your system.
- Electrical noise can enter the system through the power source for the CPU and I/O. Installing a isolation transformer for all AC sources can correct this problem. DC sources should be well grounded good quality supplies. Switching DC power supplies commonly generates more noise than linear supplies do.
- Separate input wiring from output wiring. Never run I/O wiring close to high voltage wiring.

Machine Startup and Program Troubleshooting

Even after our your best attempts at creating application programs, there are still times when you need some assistance. This is especially true during machine startup and program troubleshooting. With the DL305 CPUs there are a few things that help make this task easier.

- Program Syntax Check—find problems before startup
- Pause Relay — monitor output status without enabling the actual output points or field devices
- End Statement — move the End statement to disable parts of the program.

Syntax Check

Even though the Handheld Programmer and *DirectSOFT* provide error checking during program entry, you may want to check a program that has been modified. Both programming devices offer a way to check the program syntax. For example, you can use check the program syntax from a Handheld Programmer, or you can use the PLC Diagnostics menu option within *DirectSOFT*. This check will find a wide variety of programming errors. The following example shows how to use the syntax check with a Handheld Programmer.



Execute the syntax check

CLR SCH

E07		0	4	0	4	
		(AND)	(OUT)	(MCS)	(ADR)	
ADDRESS/DATA		1	5	1	5	
		(OR)	(TMR)	(MCR)	(SHF)	
ON/OFF	RUN	BATT	2	6	2	6
			(STR)	(CNT)	(SET)	(DATA)
PWR		CPU	3	7	3	7
			(NOT)	(SR)	(RST)	(REG)

Press CLR to display the address where the error occurred

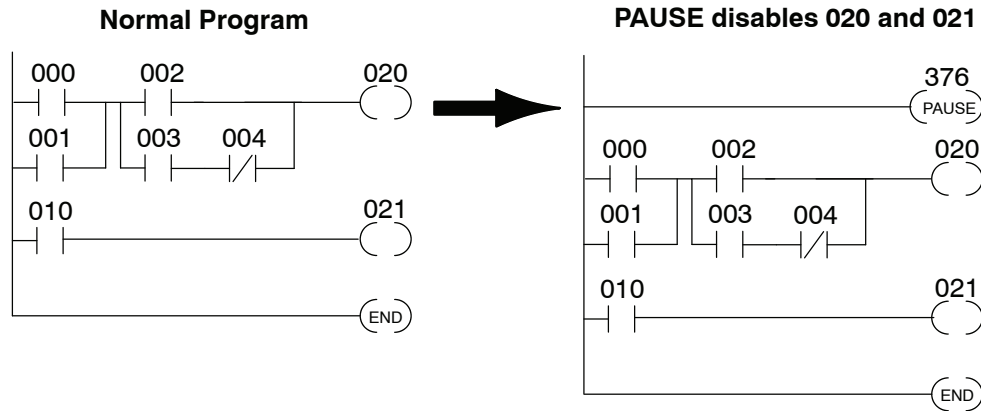
CLR

0.0.0.3		0	4	0	4	
		(AND)	(OUT)	(MCS)	(ADR)	
ADDRESS/DATA		1	5	1	5	
		(OR)	(TMR)	(MCR)	(SHF)	
ON/OFF	RUN	BATT	2	6	2	6
			(STR)	(CNT)	(SET)	(DATA)
PWR		CPU	3	7	3	7
			(NOT)	(SR)	(RST)	(REG)

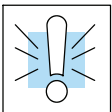
Correct the problem and continue running the Syntax check until the E07 message no longer appears.

Using the Pause Relay

Special Relay 376 provides a quick way to allow the inputs (or other logic) to operate while disabling any output points used with an OUT instruction. The output image register is still updated, but the output status is not written to the modules. For example, you could make this conditional by adding an input contact or CR to control the instruction with a switch or a programming device. Or, you could just add the instruction without any conditions so the outputs would be disabled at all times.



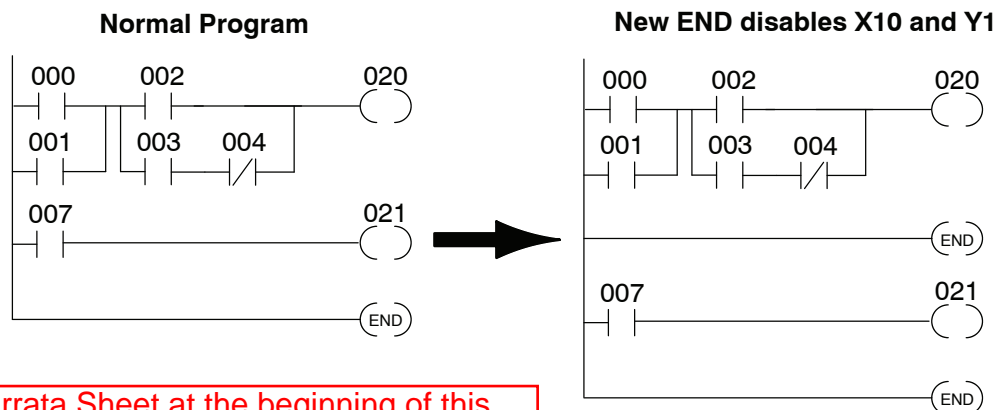
By using this relay, you can still monitor the output status with a programming device. The programming device will show that the output should be on, even though the CPU does not actually update the I/O point.



WARNING: This special relay only inhibits those outputs referenced by the OUT instruction. Output points referenced by the SET OUT instruction are not disabled.

END Instruction Placement

If you need a way to quickly disable part of the program, just insert an END statement prior to the portion that should be disabled. When the CPU encounters the END statement, it assumes that is the end of the program. The following diagram shows an example.



See Errata Sheet at the beginning of this file. A new sub-section has been added titled: "Reset the PLC to Factory Defaults".

