



Errata Sheet

This Errata Sheet contains corrections or changes made after the publication of this manual.

Product Family: DL305 **Date:** 07.28.2021
Manual Number: D3-USER-M
Revision and Date: 1st Edition, Rev. D; January 2010

07.28.2021

D3-HP is discontinued as of 06/2021. D3-HPP was discontinued 01/2018. Please consider the Productivity, BRX, or CLICK Series of PLC systems as a replacement.

07.16.2021

Changes to Chapter 5 & 6.

D3-16ND2-1 Discrete Input module has been discontinued as of 07/2021: Please consider the Productivity, BRX or CLICK Series of PLC systems as a replacement.



Errata Sheet

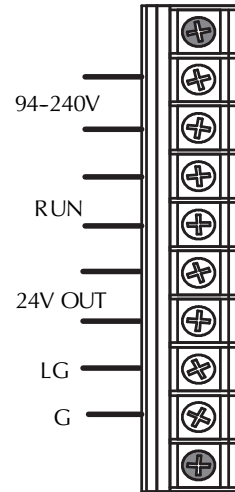
This Errata Sheet contains corrections or changes made after the publication of this manual.

08.2018

Changes to Chapter 2. Installation and Safety Guidelines

Page 2-12. Base Wiring

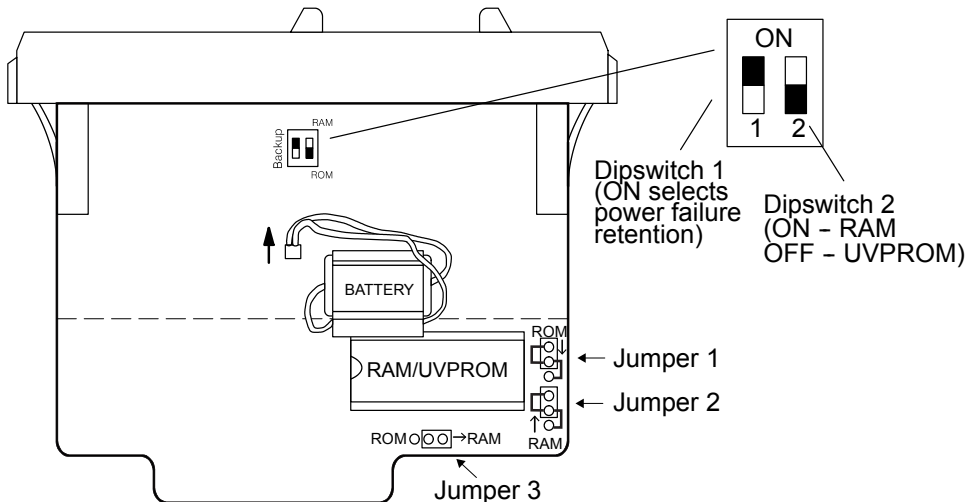
On newer 110-240 VAC bases, the terminal strip has been re-designed and does not have different terminals for 110VAC and 240VAC connections. If you have one of these re-designed bases the terminal strip will look like the graphic shown here.



Changes to Chapter 3. DL330/DL330P/DL340 CPU Specifications

Page 3-9. DL330/DL330P CPU Setup; Installing the UVPROM Option in the DL330/DL330P CPU.

The drawing showing the jumpers is missing the silkscreen jumper lines and arrows for jumpers 1, 2, and 3. Refer to this drawing.





Errata Sheet

This Errata Sheet contains corrections or changes made after the publication of this manual.

05.2018

Changes to Chapter 3. DL330/DL330P/DL340 CPU Specifications

Page 3-14. Battery Backup:

Please revise the first WARNING on this page (right above the battery replacement drawings) as follows:



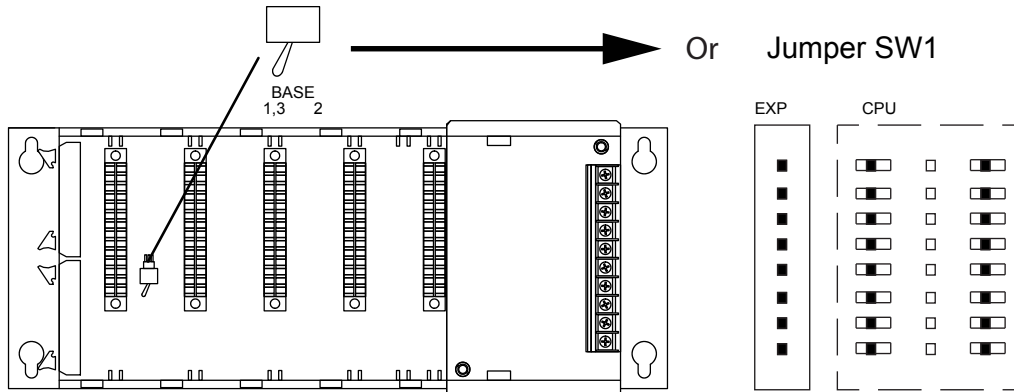
WARNING: If the battery is not installed or connected to the PC board, the 330 CPU will NOT notify you of the error. Be sure the battery is in place and the connector is firmly seated before you install the CPU into the base.

Changes to Chapter 4. Bases, Expansion Bases, and I/O Configuration

Page 4-16. Setting the Base Switches; 5 Slot Bases:

Replace the drawing of the 5 slot base with this one. Newer 5 slot bases have jumper switch SW1 instead of the toggle switch to set whether the base is a local CPU base or an expansion base.

NOTE: Older bases have a toggle switch to set the base as the CPU local base, the first expansion base, or the second (last) expansion base. Newer bases have the jumper SW1 in place of the switch.



Changes to Chapter 5. I/O Module Selection & Wiring Guidelines

Page 5-12. Fuse Protection

Replace the WARNING on this page with the following one:



WARNING: Modules which have soldered-in fuses or non-replaceable fuses are non-repairable and should be replaced with new modules.



Errata Sheet

This Errata Sheet contains corrections or changes made after the publication of this manual.

05.2018, cont'd

Changes to Chapter 11. Instruction Set; Timer, Counter, and Shift Register Instructions

Page 11-22. Timer (TMR) DL330/DL340 Only

Page 11-23. Counter (CNT) DL330/DL340 Only

Add this NOTE to both of these pages:



NOTE: *The counters and timers both time in Decimal and not in BCD. Presets for both are also interpreted as decimal data and not as BCD.*

Changes to Chapter 13. Maintenance and Troubleshooting

Page 13-13. Add the following to the end of this chapter (right after END Instruction Placement):

Reset the PLC to Factory Defaults



NOTE: *Resetting to factory defaults will not clear any password stored in the PLC.*

Resetting a DirectLogic PLC to Factory Defaults is a two-step process. Be sure to have a verified backup of your program using “Save Project to Disk” from the File menu before performing this procedure. Please be aware that the program as well as any settings will be erased and not all settings are stored in the project. In particular you will need to write down any settings for Secondary Communications Ports and manually set the ports up after resetting the PLC to factory defaults.

Step 1 – While connected to the PLC with DirectSoft, go to the PLC menu and select; “Clear PLC Memory”. Check the “ALL” box at the bottom of the list and press “OK”.

Step 2 – While connected with DirectSoft, go the PLC menu and then to the “Setup” submenu and select “Initialize Scratch Pad”. Press “Ok”.

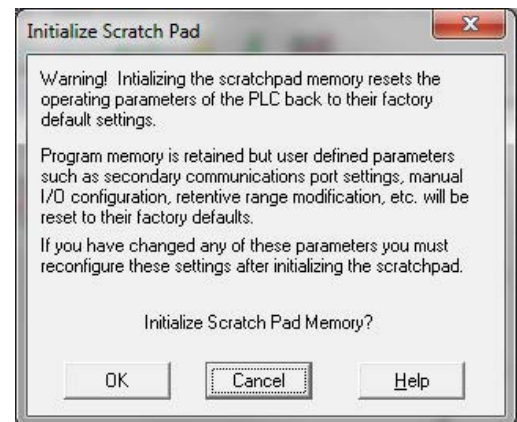
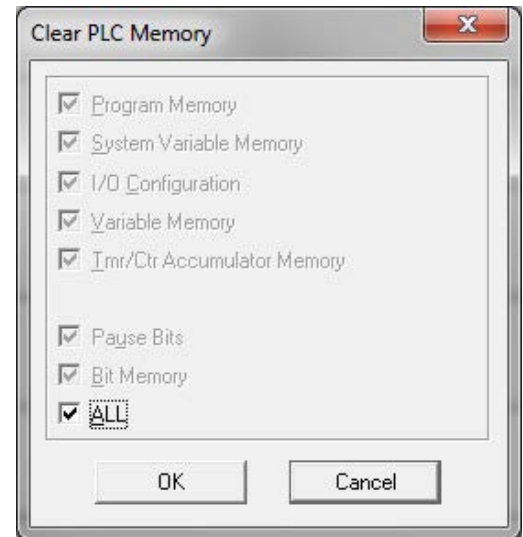
NOTE: All configurable communications ports will be reset to factory default state. If you are connected via Port 2 or another configurable port, you may be disconnected when this operation is complete.



NOTE: *Retentive ranges will be reset to the factory settings.*

NOTE: *Manually addressed IO will be reset to factory default settings.*

The PLC has now been reset to factory defaults and you can proceed to program the PLC.





Errata Sheet

This Errata Sheet contains corrections or changes made after the publication of this manual.

06.13.2012

Changes to Chapter 3. DL330/DL330P/DL340 CPU Specifications

Page 3-3. CPU Specifications

DL340 CPUs DO NOT support overrides. In row 3, Supports Overrides, change the "Yes" in the DL340 column to "No".

Installation and Safety Guidelines

In This Chapter. . . .

- Safety Guidelines
- Panel Design Specifications
- Component Dimensions
- Base Mounting Dimensions
- Installing Components in the Base
- I/O Wiring

Handheld Programmer D3-HP & D3-HPP have been retired as of 03/2021 & 01/2018 respectively. Please consider Productivity, BRX, or CLICK series PLC systems as upgrades.

Safety Guidelines



WARNING: Providing a safe operating environment for personnel and equipment is your responsibility and should be your primary goal during system planning and installation. Automation systems can fail and may result in situations that can cause serious injury to personnel or damage to equipment. Do not rely on the automation system alone to provide a safe operating environment. You should use external electromechanical devices, such as relays or limit switches, that are independent of the PLC system to provide protection for any part of the system that may cause personal injury or damage.

Every automation application is different, so there may be special requirements for your particular application. Make sure you follow all National, State, and local government requirements for the proper installation and use of your equipment.

Plan for Safety

The best way to provide a safe operating environment is to make personnel and equipment safety part of the planning process. You should examine every aspect of the system to determine which areas are critical to operator or machine safety.

If you are not familiar with PLC system installation practices, or your company does not have established installation guidelines, you should obtain additional information from the following sources.

- **NEMA** — The National Electrical Manufacturers Association, located in Washington, D.C., publishes many different documents that discuss standards for industrial control systems. You can order these publications directly from NEMA. Some of these include:
ICS 1, General Standards for Industrial Control and Systems
ICS 3, Industrial Systems
ICS 6, Enclosures for Industrial Control Systems
- **NEC** — The National Electrical Code provides regulations concerning the installation and use of various types of electrical equipment. Copies of the NEC Handbook can often be obtained from your local electrical equipment distributor or your local library.
- **Local and State Agencies** — many local governments and state governments have additional requirements above and beyond those described in the NEC Handbook. Check with your local Electrical Inspector or Fire Marshall office for information.

Safety Techniques

The publications mentioned provide many ideas and requirements for system safety. At a minimum, you should follow these regulations. Also, you should use the following techniques, which may help reduce the risk of safety concerns.

- Orderly system shutdown sequence in the PLC control program.
- System power disconnects (guard limits, emergency stop switches, etc.)

Three Levels of Protection

The publications mentioned provide many ideas and requirements for system safety. At a minimum, you should follow these regulations. Using the techniques listed below will further help reduce the risk of safety problems.

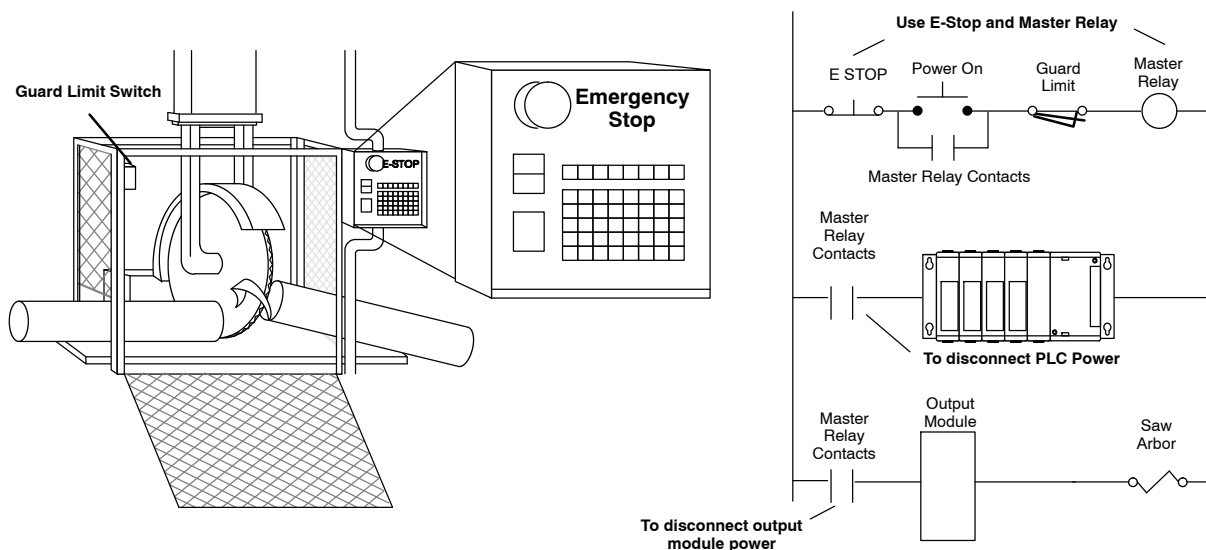
- Emergency stop switch for disconnecting system power.
- Mechanical disconnect for output module power.
- Orderly system shutdown sequence in the PLC control program.

Emergency Stops

It is recommended that emergency stop circuits be incorporated into the system for every machine controlled by a PLC. For maximum safety in a PLC system, these circuits must not be wired into the controller, but should be hardwired external to the PLC. The emergency stop switches should be easily accessed by the operator and are generally wired into a master control relay (MCR) or a safety control relay (SCR) that will remove power from the PLC I/O system in an emergency.

MCRs and SCRs provide a convenient means for removing power from the I/O system during an emergency situation. by de-energizing an MCR (or SCR) coil, power to the input (optional) and output devices is removed. This event occurs when any emergency stop switch opens. However, the PLC continues to receive power and operate even though all its inputs and outputs are disabled.

The MCR circuit could be extended by placing a PLC fault relay (closed during normal PLC operation) in series with any other emergency stop conditions. This would cause the MCR circuit to drop the PLC I/O power in case of a PLC failure (memory error, I/O communications error. etc.).



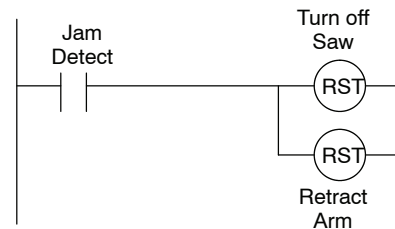
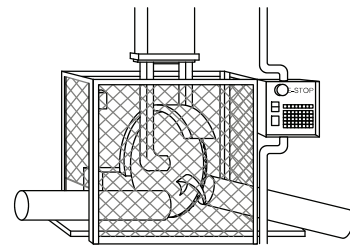
Emergency Power Disconnect

A properly rated emergency power disconnect should be used to power the PLC controlled system as a means of removing the power from the entire control system. It may be necessary to install a capacitor across the disconnect to protect against a condition known as "outrush". This condition occurs when the output triacs are turned off by powering off the disconnect, thus causing the energy stored in the inductive loads to seek the shortest distance to ground, which is often through the triacs.

After an emergency shutdown or any other type of power interruption, there may be requirements that must be met before the PLC control program can be restarted. For example, there may be specific register values that must be established (or maintained from the state prior to the shutdown) before operations can resume. In this case, you may want to use retentive memory locations, or include constants in the control program to ensure a known starting point.

Orderly System Shutdown

The first level of protection should be included in the PLC control program, which can be used to identify machine problems. You should analyze your application and identify any shutdown sequences that must be performed. These types of problems are usually things such as jammed parts, etc. that do not pose a risk of personal injury or equipment damage.



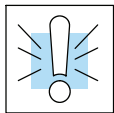
WARNING: The control program *should not* be the only form of protection for any problems that may result in a risk of personal injury or equipment damage.

Class 1, Division 2 Approval

This equipment is suitable for use in Class 1, Division 2, groups A, B, C and D or non-hazardous locations only.

WARNING: Explosion Hazard! Substitution of components may impair suitability for Class 1, Division 2.

Do not disconnect equipment unless power has been switched off or area is known to be non-hazardous.



Panel Design Specifications

It is important to design your panel properly to help ensure the DL305 products operate within their environmental and electrical limits. Proper installation of your DL305 system requires an in-depth understanding of electrical control systems. The system installation should comply with the appropriate electrical codes and standards for your area. It is important that your system also conforms to the operating standards for the application to insure proper performance. The DL305 equipment should only be installed by personnel familiar with electrical/industrial applications. The DL305 installation should provide proper ventilation, spacing, and grounding to ensure the equipment will operate as specified. The diagram on the next page references the items in the following list.

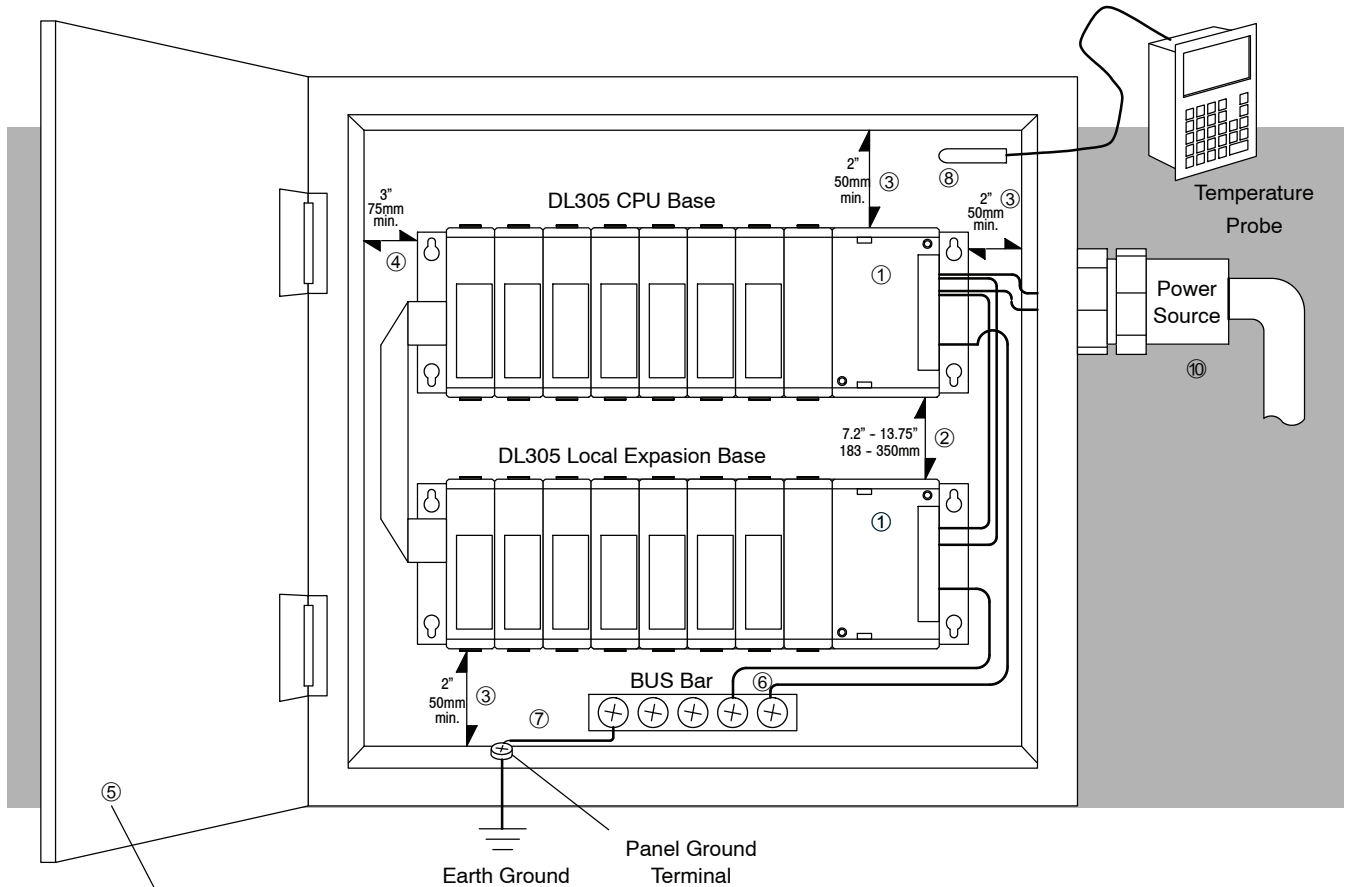
1. The bases should be mounted horizontally to provide proper ventilation.
2. There should be a minimum of 7.2" (183mm) and a maximum of 13.75" (350mm) between bases.
3. A minimum clearance of 2" (50mm) between the base and the top, bottom and right side of the cabinet should be provided.
4. A minimum clearance of 3" (75mm) between the base and the left side of the cabinet should be provided.
5. There must be a minimum of 2" clearance between the panel door and the nearest DL305 component.
6. The ground terminal on the DL305 base must be connected to a single point ground. Copper stranded wire should be used for this connection to achieve a low impedance. Copper eye lugs should be crimped and soldered to the ends of the stranded wire to assure good surface contact. You should also remove anodized finishes and use copper lugs and star washers at termination points. A rule of thumb is to achieve a 0.1 ohm of DC resistance between the DL305 base and the single point of ground.
7. There must be a single point of ground (i.e. copper bus bar) for all devices in the panel requiring an earth ground return. The single point of ground must be connected to the panel ground termination.

The panel ground termination must be connected to earth ground. For this connection you should use #12 AWG stranded copper wire as a minimum. Minimum wire sizes, color coding, and general safety practices should comply with appropriate electrical codes and standards for your area.

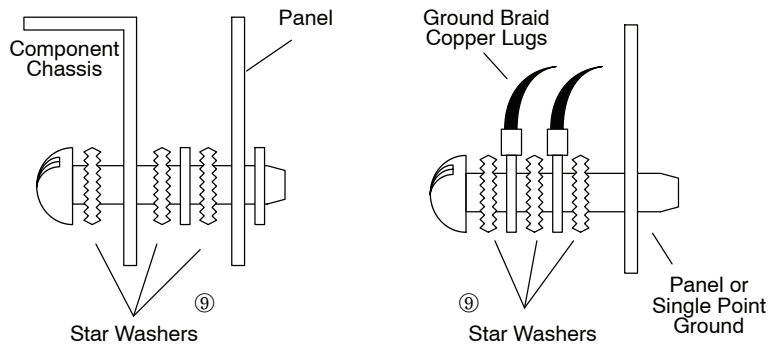
A good common ground reference (Earth ground) is essential for proper operation of the DL305. The DL305 system and components are designed to operate with a common ground reference. There are several methods of providing an adequate common ground reference. These methods include:

- a) Installing a ground rod as close to the panel as possible.
 - b) Connection to the incoming power system ground.
8. Installations where the ambient temperature may approach the lower or upper limits of the specifications should be evaluated properly. To do this place a temperature probe in the panel, close the door and operate the system until the ambient temperature has stabilized. If the ambient temperature is not within the operating specification for the DL305 system, measures such as installing a cooling/heating source must be taken to get the ambient temperature within the DL305 operating specifications.

9. Device mounting bolts and ground braid termination bolts should be #10 copper bolts or equivalent. Tapped holes instead of nut-bolt arrangements should be used whenever possible. To assure good contact on termination areas impediments such as paint, coating or corrosion should be removed in the area of contact.
10. The DL305 systems are designed to be powered by 110 VAC , 220 VAC, or 24 VDC normally available throughout an industrial environment. Isolation transformers and noise suppression devices are not normally necessary, but may be helpful in eliminating/reducing suspected power problems.



Note: there is a minimum of 2" (50mm) clearance between the panel door and the nearest DL305 component.



In addition to the panel layout guidelines, there are other specifications that can affect the definition and installation of a PLC system. You should always consider the following areas whenever you install any PLC system.

- Environmental Specifications
- Power Supply Specifications
- Agency Approvals
- Enclosure Selection and Component Dimensions

Environmental Specifications

The following table lists the environmental specifications that generally apply to the DL305 system (CPU, Bases I/O modules). I/O module operation may fluctuate depending on the ambient temperature and your application. Please refer to the appropriate I/O module chapters for the temperature derating curves applying to specific modules.

Specification	Rating
Storage temperature	-4° F to 158° F (-20° C to 70° C)
Ambient operating temperature	32° F to 140° F (0° C to 60° C)
Ambient humidity	5% to 95% relative humidity (non-condensing)
Vibration resistance	MIL STD 810C, Method 514.2
Shock resistance	MIL STD 810C, Method 516.2
Noise immunity	NEMA (ICS3-304) 1 uS width rectangular wave
Atmosphere	No corrosive gases

Power

The power source must be capable of supplying voltage and current complying with the base power supply specifications.

Specifications	D3-05B	D3-05BDC	D3-08B	D3-10B
Input Voltage Range	100-240 VAC +10% / -15% 47-63Hz	20.5-30 VDC <10% ripple	100-240 VAC +10% / -15% 47-63Hz	100-240 VAC +10% / -15% 47-63Hz
Base Power Consumption	70 VA max (46W)	48 Watts	70 VA max (57W)	70 VA max (57W)
Inrush Current max.	30A	30A	30A	30A
Dielectric Strength	1500VAC for 1 minute between terminals of AC P/S, Run output, Common, 24VDC	1500VAC for 1 minute between 24VDC input terminals and Run output	1500VAC for 1 minute between terminals of AC P/S, Run output, Common, 24VDC	2000VAC for 1 minute between terminals of AC P/S, Run output, Common, 24VDC
Insulation Resistance	>10MΩ at 500VDC	>10MΩ at 500VDC	>10MΩ at 500VDC	>10MΩ at 500VDC
Power Supply Output (Voltage Ranges and Ripple)	(5VDC) 4.75-5.25V less than 0.1V p-p (9VDC) 8.5-13.5V less than 0.2 V p-p (24VDC) 20-28V less than 1.2V p-p	(5VDC) 4.75-5.25V less than 0.1V p-p (9VDC) 8.5-13.5V less than 0.2 V p-p (24VDC) 20-28V less than 1.2V p-p	(5VDC) 4.75-5.25V less than 0.1V p-p (9VDC) 8.0-12.0V less than 0.2 V p-p (24VDC) 20-28V less than 1.2V p-p	(5VDC) 4.75-5.25V less than 0.1V p-p (9VDC) 8.0-12.0V less than 0.2 V p-p (24VDC) 20-28V less than 1.2V p-p

Agency Approvals Some applications require agency approvals. Typical agency approvals which your application may require are:

- UL (Underwriters' Laboratories, Inc.)
- CSA (Canadian Standards Association)
- FM (Factory Mutual Research Corporation)
- CUL (Canadian Underwriters' Laboratories, Inc.)

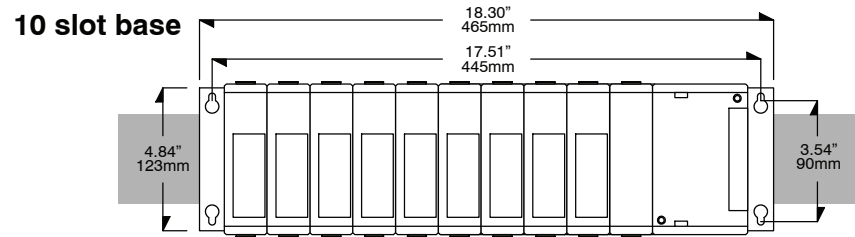
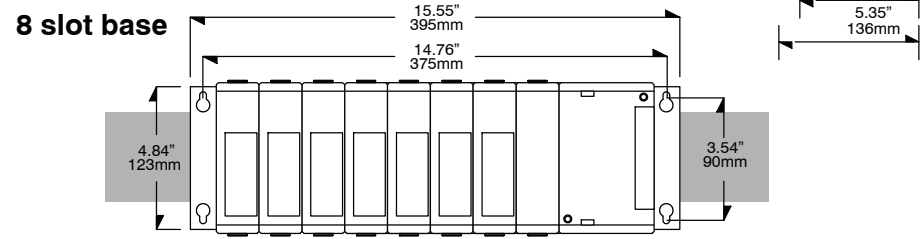
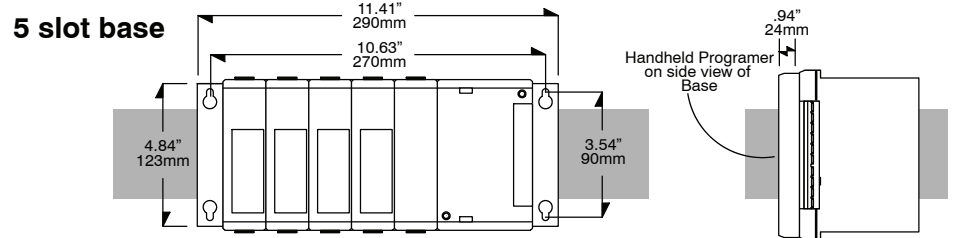
Enclosures

Your selection of a proper enclosure is important to ensure safe and proper operation of your DL305 system. Applications of DL305 systems vary and may require additional features. The minimum considerations for enclosures include:

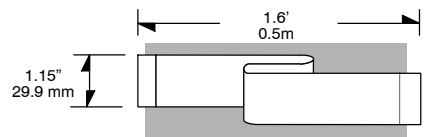
- Conformance to electrical standards
- Protection from the elements in an industrial environment
- Common ground reference
- Maintenance of specified ambient temperature
- Access to equipment
- Security or restricted access
- Sufficient space for proper installation and maintenance of equipment

Component Dimensions

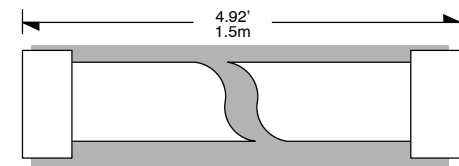
Before installing your PLC system you will need to know the dimensions for the components in your system. The diagrams on the following pages provide the component dimensions and should be used to define your enclosure specifications. Remember to leave room for potential expansion. Appendix D provides the weights for each component.



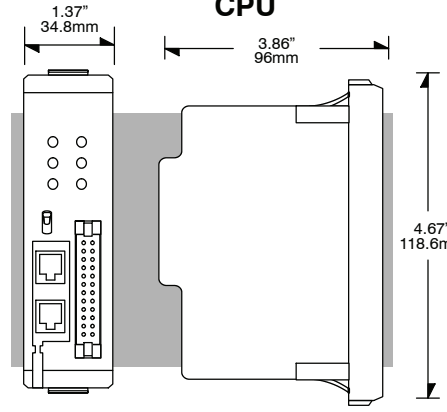
I/O Expander cable



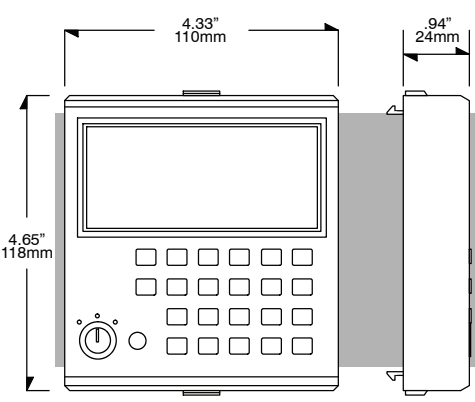
Handheld programmer cable



CPU

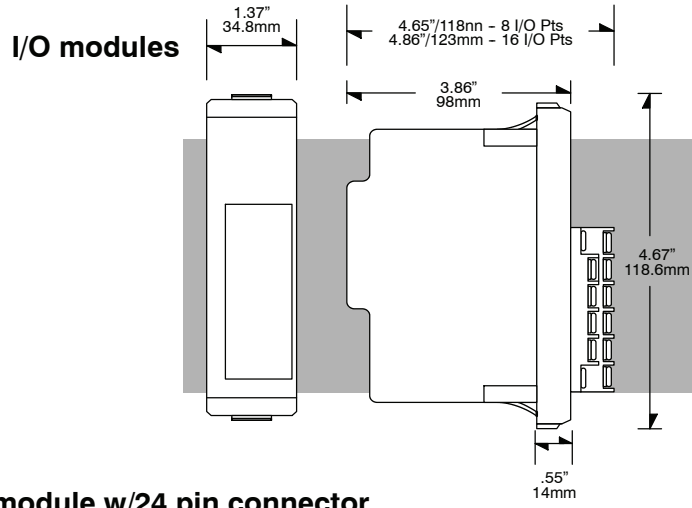


Handheld programmer

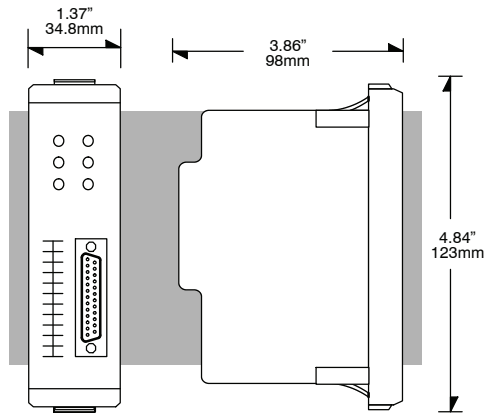


Component Dimensions Part 2

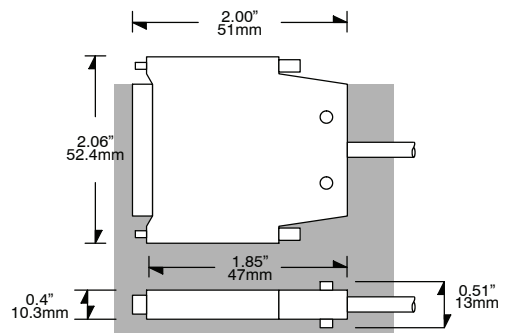
Installation and Safety Guidelines



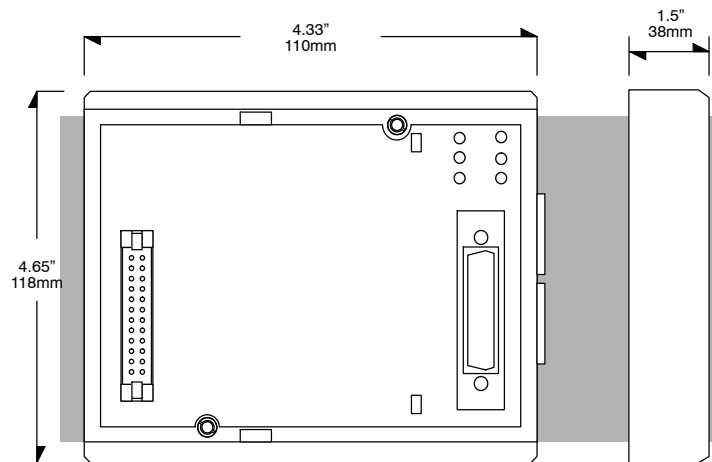
I/O module w/24 pin connector



24 pin connector

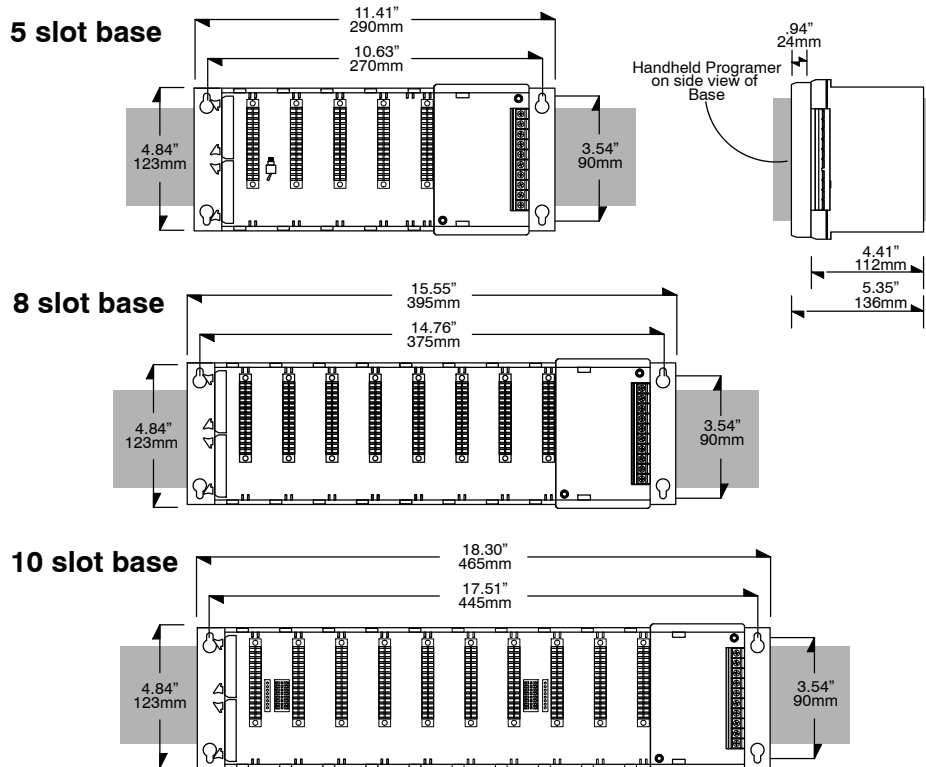


**Data communication units
(Prom Writer Unit has the same dimensions)**



Base Mounting Dimensions

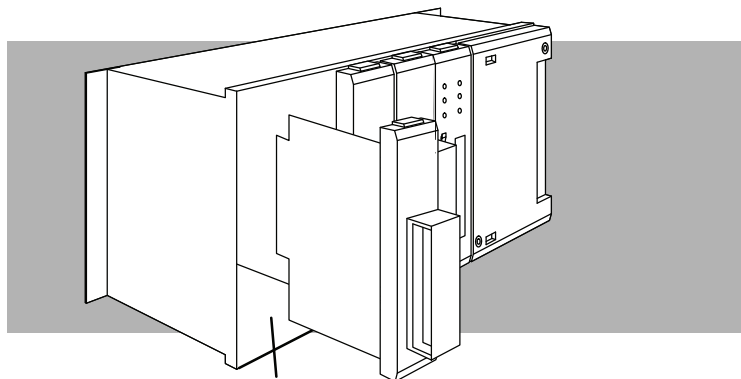
Below are the mounting dimensions which should be used when mounting DL305 bases. Make sure you have followed the installation guidelines for proper spacing.



Installation and Safety Guidelines

Installing Components in the Base

When inserting components into the base, align the PC board(s) of the module with the grooves on the top and bottom of the base. Push the module straight into the base until it is firmly seated in the backplane connector.



Align module to slots in base and slide in

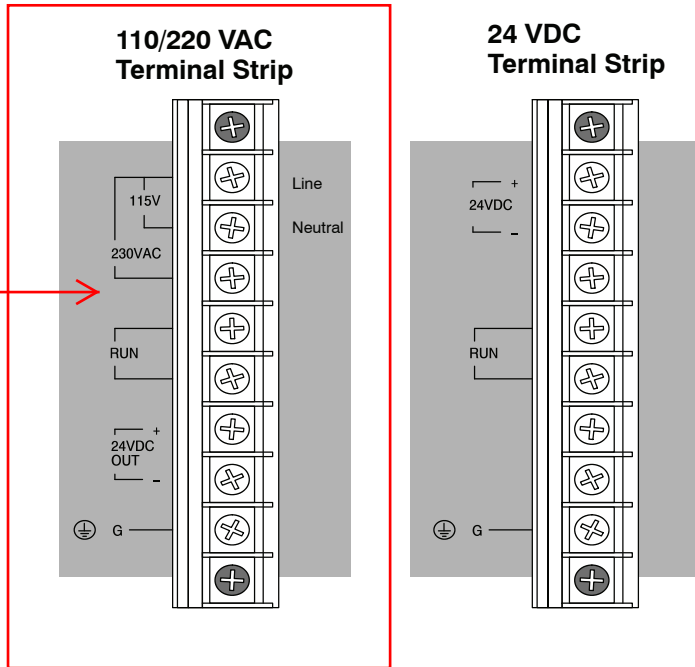
Base Wiring

The following diagram shows the terminal connections located on the power supply of the DL305 bases.



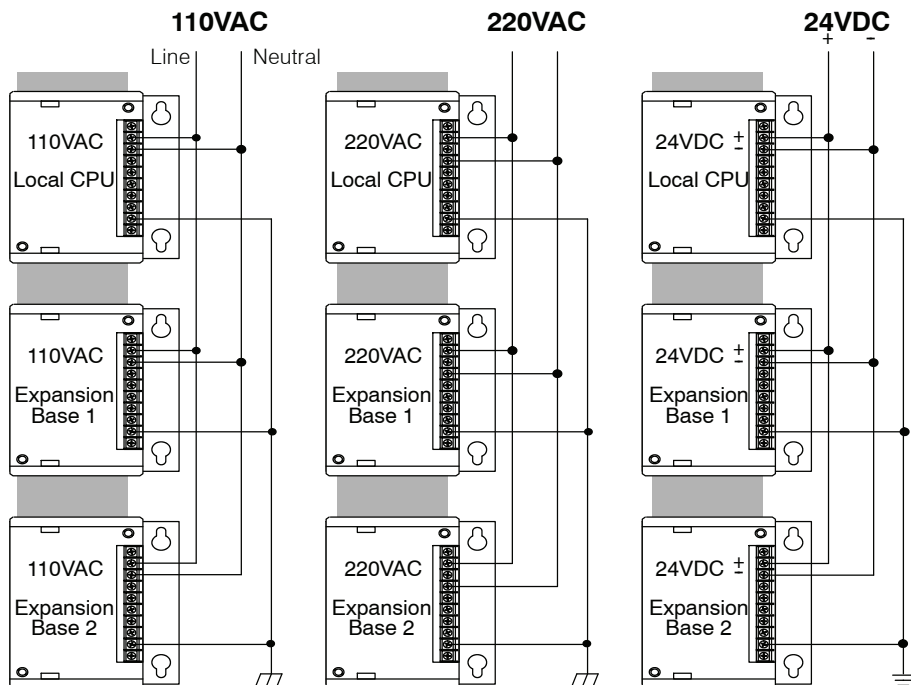
WARNING: Damage will occur to the base power supply if 220 VAC is connected to the 115 VAC terminal connections. Once the power wiring is connected, install the protective cover. When the cover is removed there is a risk of electrical shock if you accidentally touch the connection terminals.

The AC terminal strip has been redesigned. See the errata sheet at the beginning of this file for an updated drawing.



Expansion Base Wiring

This is an example of how to connect power when using local CPU and Expansion bases.



I/O Wiring

This information provides a general idea on how to wire the different types of modules in the DL305 system. For specific information on wiring a particular module refer to the specification sheet in the appropriate I/O chapter or manual.

I/O Wiring Guidelines

You should consider these guidelines when wiring your system.

1. There is a limit to the size of wire the modules can accept. The table below lists the maximum AWG for each module type. Smaller AWG is acceptable to use for each of the modules.

Module type	Maximum AWG
8 point	12
16 point	16

2. Always use a continuous length of wire, do not combine wires to attain a needed length.
3. Use the shortest possible cable length.
4. Use wire trays for routing where possible
5. Avoid running wires near high energy wiring.
6. Avoid running input wiring in close proximity to output wiring where possible.
7. To minimize voltage drops when wires must run a long distance , consider using multiple wires for the return line.
8. Avoid running DC wiring in close proximity to AC wiring where possible.
9. Avoid creating sharp bends in the wires.

Wiring the Different Module Types

There are three main types of module faces for the DL305 I/O. These module faces are: lift covers over terminal blocks, flip covers over terminal blocks and D-shell compatible sockets. If the module you are using has a cover you can remove the cover either by lifting from the bottom or by flipping the door open. Some of the modules have removable terminal blocks. These modules can be recognized by the squeeze tabs on the top and bottom of the terminal block. To remove the terminal block, press the squeeze tabs and pull the terminal block away from the module.



WARNING: For some modules, field device power may still be present on the terminal block even though the PLC system is turned off. To minimize the risk of electrical shock, check all field device power *before* you remove the connector.

