



# Errata Sheet

This Errata Sheet contains corrections or changes made after the publication of this manual.

Product Family: DL405  
 Manual Number: D4-ANLG-M  
 Revision and Date: 5th Ed., Rev. A; July 2004

Date: September 12, 2018

## Changes to Chapter 3: F4-04AD 4-Channel Analog Input

Page 3-3. Module Specifications; General Specifications

In the table, change the Power Budget Requirement value from “85 mA (power from base)” to “150 mA (power from base)”.

Page 3-11. Current Loop Transmitter Impedance

Replace the example drawing with this one. Connections were added between the power supply 0V terminal, the 0V CH1 terminal, and the CH1 common terminal. Also, the “See NOTE 3 below” note was added.

$$R = Tr - Mr$$

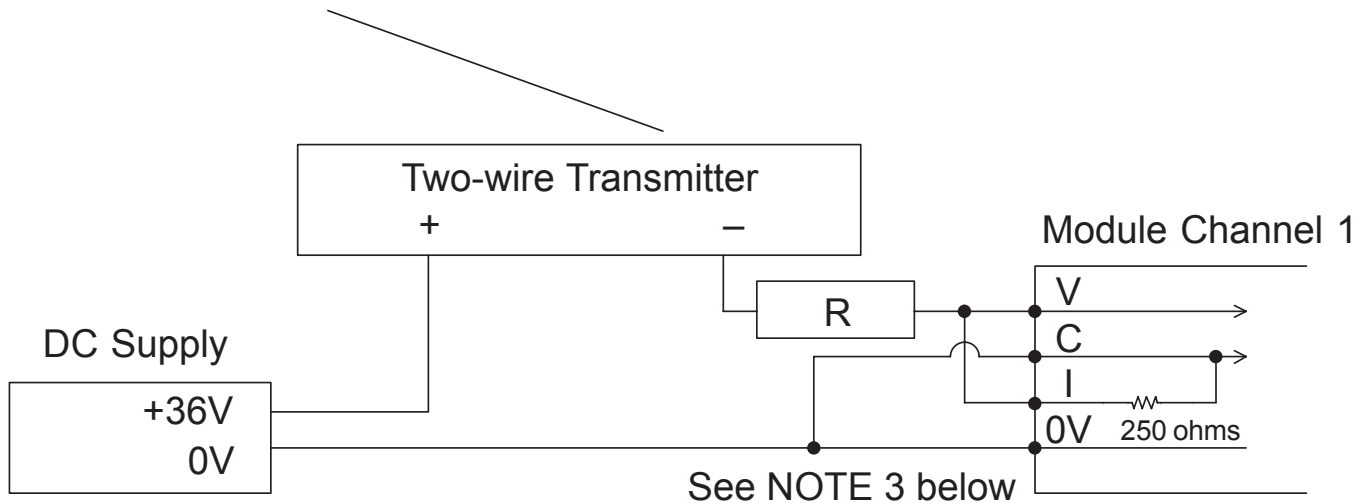
$$R = 750 - 250$$

$$R \geq 500$$

R – resistor to add

Tr – Transmitter Requirement

Mr – Module resistance (internal 250 ohms)



NOTE 3: When a differential input is not used, 0V should be connected to C of the channel.



# Errata Sheet

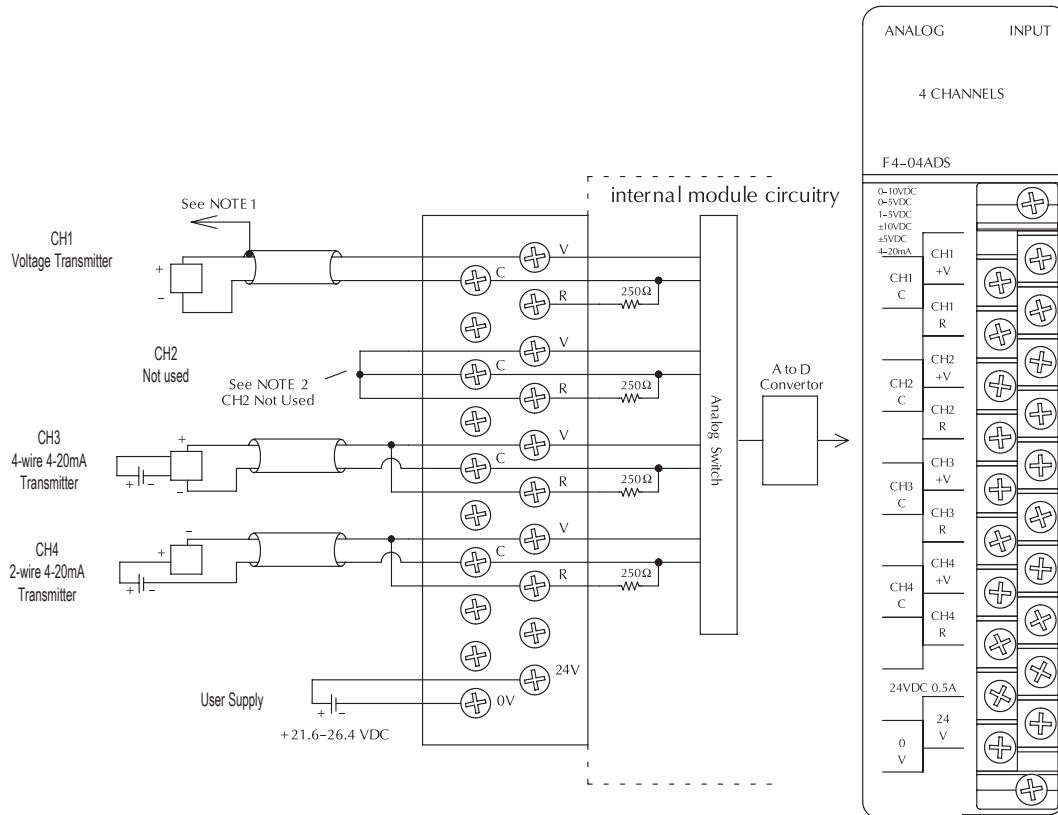
## Changes to Chapter 4: F4-04ADS 4-Channel Isolated Analog Input

Page 4-3. Module Specifications; General Specifications

In the table, change the Power Budget Requirement value from “270 mA at 5 VDC (from base)” to “370 mA at 5 VDC (from base).”

Page 4-8. Wiring Diagram

Replace the wiring diagram with this one. The connections for CH3 and CH4 were incorrect. They did not show that external power is required. Examples for wiring 2-wire and 4-wire current transmitters was added.





# Errata Sheet

## Changes to Chapter 6: F4-16AD-1 16-Channel Analog Input

Page 6-4. Setting the Module Jumpers

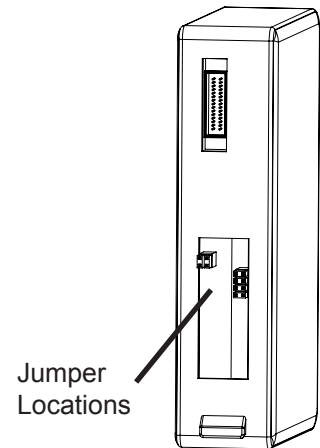
## Changes to Chapter 7: F4-16AD-2 16-Channel Analog Input

Page 7-4. Setting the Module Jumpers

*For both modules, the jumpers are now arranged differently. They are no longer in a straight line like the drawings on pages 6-4 and 7-4 show. They are now next to each other as shown here.*

## Changes to Chapter 7: Title page

*The title page mistakenly calls this an 8-point module; it is actually 16 points*



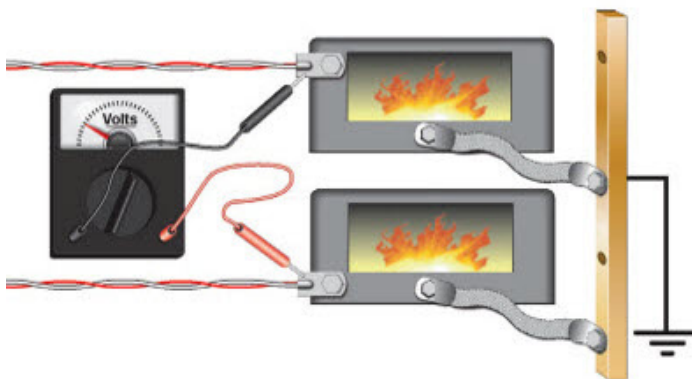
## Changes to Chapter 8: F4-08THM-n 8-Channel Thermocouple Input

## Changes to Chapter 10: F4-08THM 8-Channel Thermocouple Input

Pages 8-7 and 10-10. Wiring Diagram

Add the following note and drawing to the wiring diagrams for both of these thermocouple modules.

With grounded thermocouples, take precautions to prevent having a voltage potential between thermocouple tips. A voltage of 1.25V or greater between tips will skew measurements.



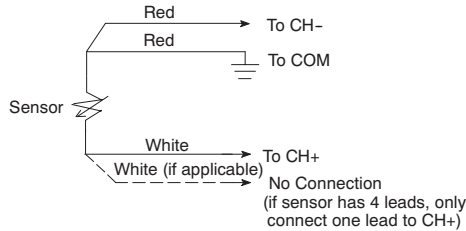


# Errata Sheet

## Changes to Chapter 9: F4-08RTD 8-Channel RTD Input

Page 9-7. Connecting the Field Wiring; RTD - Resistance Temperature Detector; Lead Detection for RTD Sensors

Replace the wiring diagram with this one. The wire lead colors changed. (The two black leads changed to red and the two red leads changed to white.)



## Changes to Chapter 18: F4-04DAS-2 4-Channel Isolated 0–5V, 0–10V Output

Page 18-4. Setting the Module Jumpers

In 2008 the module was redesigned and the range selection jumpers on the back of the module (as described below on the left and on page 18-4) were eliminated. The range selection is now done by a wire jumper on the terminal block as shown here on the right.

“Old Version”

“New Version”

Channel Signal Range	“Old Version Jumper Settings”	“New Version Jumper Settings”
<b>0-5 VDC</b> Place jumper on LEFT		<b>“Install on TB”</b>
<b>0-10 VDC</b> Place jumper on RIGHT		<b>“Remove from TB”</b>

Module is set at the factory for 0-5V signal on all four channels. (Dotted line jumper installed) For 0-10V mode remove jumper.

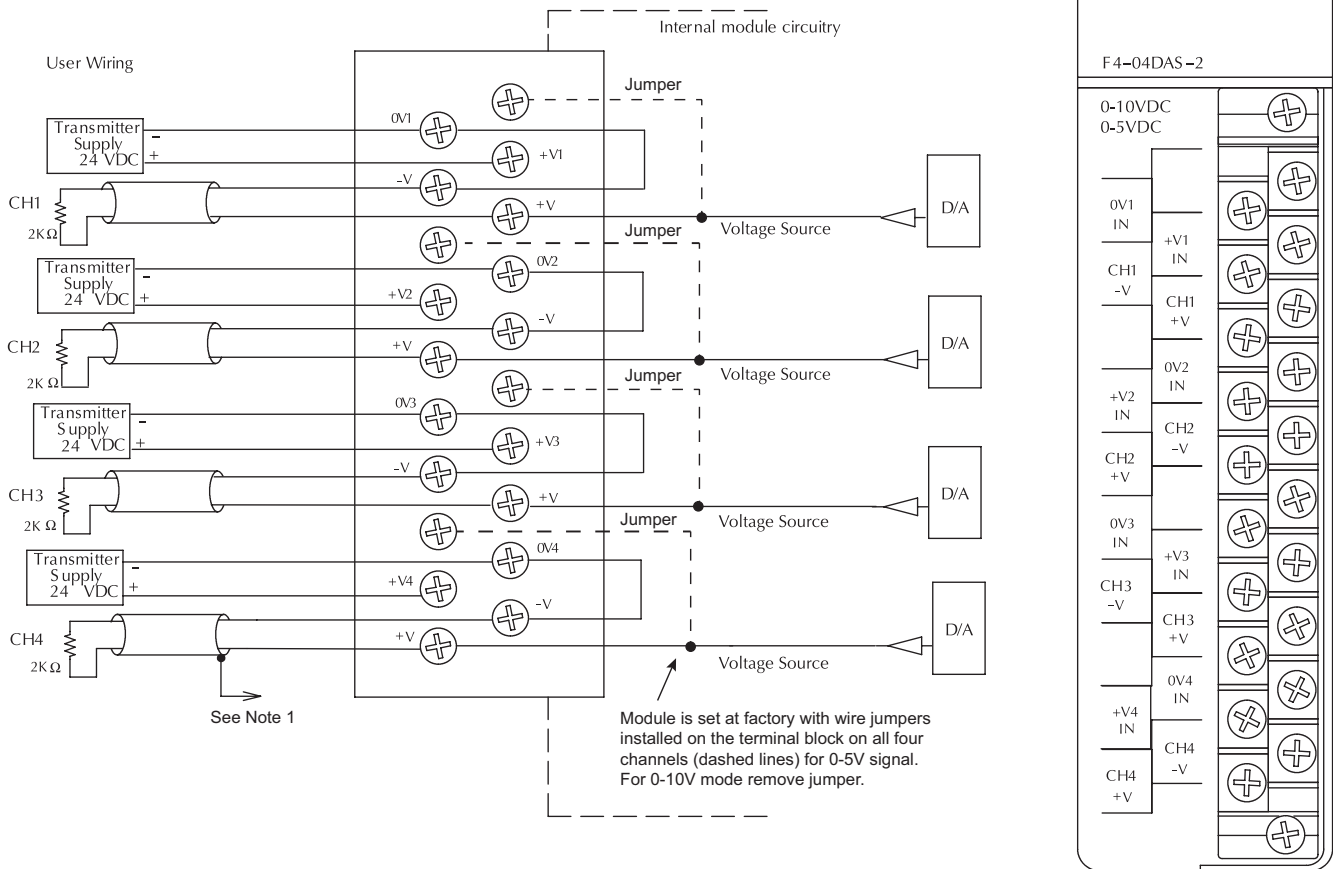


# Errata Sheet

## Changes to Chapter 18: F4-04DAS-2 4-Channel Isolated 0–5V, 0–10V Output (continued)

Page 18-5. Wiring Diagram

In 2008 the module was redesigned and the range selection jumpers on the back of the module were eliminated. The range selection is now done by a wire jumper for each channel located on the terminal block. This wiring diagram was revised to show these jumpers.



# F4-16AD-1

## 16-Channel

### Analog Input

---

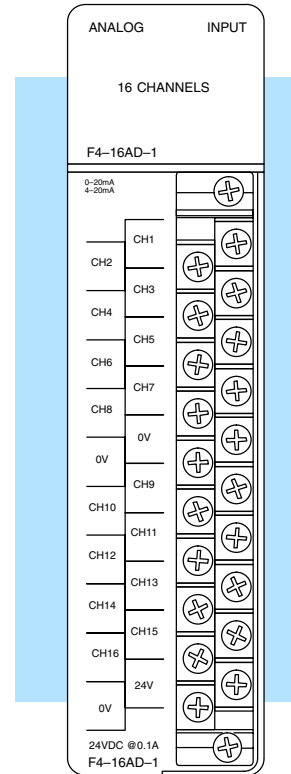
In This Chapter. . . .

- Module Specifications
  - Setting the Module Jumpers
  - Connecting the Field Wiring
  - Module Operation
  - Writing the Control Program
-

## Module Specifications

The F4-16AD-1 Analog Input module provides several features and benefits.

- It accepts 16 single-ended current inputs.
- Analog inputs are optically isolated from PLC logic components.
- The module has a removable terminal block, so the module can be easily removed or changed without disconnecting the wiring.
- All 16 analog inputs may be read in one CPU scan (D4-440 and D4-450 CPUs only).



### Analog Input Configuration Requirements

The F4-16AD-1 Analog Input module requires 16 discrete input points. The module can be installed in any slot of a DL405 system, including remote bases. The limitations on the number of analog modules are:

- For local and expansion systems, the available power budget and discrete I/O points.
- For remote I/O systems, the available power budget and number of remote I/O points.

Check the user manual for your particular model of CPU for more information regarding power budget and number of local or remote I/O points.

The following table provides the specifications for the F4-16AD-1 Analog Input Module. Review these specifications to ensure the module meets your application requirements.

### Input Specifications

Number of Channels	16, single ended (one common)
Input Ranges	0–20 mA, 4–20 mA
Resolution	12 bit (1 in 4096)
Active Low-pass Filtering	–3 dB at 20Hz, –6 dB per octave
Input Impedance	250 ohms $\pm$ 0.1%, 1/2W current input
Absolute Maximum Ratings	$\pm$ 45 mA, current input
Conversion Time	2.0ms per channel (module conversion)
Linearity Error (End to End)	$\pm$ 2 count maximum
Input Stability	$\pm$ 1 count
Full Scale Calibration Error (Offset error not included)	$\pm$ 12 counts maximum, @ 20mA current input
Offset Calibration Error	$\pm$ 3 counts maximum, 4 mA current input

### General Specifications

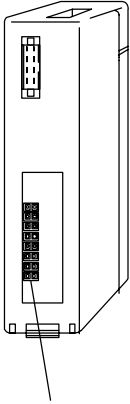
PLC Update Rate	16 Channel per scan max.
Digital Input Points Required	16 (X) input points total 12 binary data bits, 4 active channel bits,
Power Budget Requirement	100 mA @ 5 VDC
External Power Supply	21.6–26.4 VDC, 100 mA, class 2
Recommended Fuse	0.032 A, Series 217 fast-acting, current inputs
Accuracy vs. Temperature	$\pm$ 50 ppm / °C maximum full scale (including maximum offset change of 3 counts)
Operating Temperature	0 to 60°C (32 to 140° F)
Storage Temperature	–20 to 70°C (–4° F to 158° F)
Relative Humidity	5 to 95% (non-condensing)
Environmental Air	No corrosive gases permitted
Vibration	MIL STD 810C 514.2
Shock	MIL STD 810C 516.2
Noise Immunity	NEMA ICS3-304

One count in the specification table is equal to one least significant bit of the analog data (1 in 4096).



## Setting the Module Jumpers

### Jumper Locations



Jumper Locations

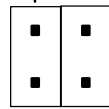
If you examine the rear of the module, you will notice two banks of jumpers. The module has several options that you can select by installing or removing jumpers:

- A bank of two jumpers sets the current input range for the 16 channels (channels 1–8 and 9–16).
- A bank of four jumpers to select the number of channels used.

The module is shipped from the factory with the jumpers off for a 4–20mA signal range on all sixteen channels. The following diagram shows how the jumpers are set at the factory and describes the function of each jumper. When removing a jumper, store it by placing it on a single pin to prevent losing it.

### Current Input Range Select

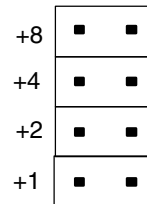
Channels 9–16



Jumper **On** = 0–20mA  
**Off** = 4–20mA

Channels 1–8

### Number of Channels

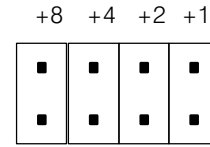


See Errata Sheet at the beginning of this file for a revised drawing showing the jumper locations. They are no longer in a straight line as shown here.

**Selecting the Number of Channels**

The jumpers labeled +1, +2, +4 and +8 are used to select the number of channels that will be used.

Any unused channels are not processed so if you only select channels 1-8, then the last eight channels will not be active. The following table shows which jumpers to install.



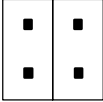

Number of Channels

Jumpers installed as shown selects 16-channel operation

Channel(s)	Jumper				Channel(s)	Jumper			
	+8	+4	+2	+1		+8	+4	+2	+1
1	No	No	No	No	1 2 3 4 5 6 7 8 9	Yes	No	No	No
1 2	No	No	No	Yes	1 2 3 4 5 6 7 8 9 10	Yes	No	No	Yes
1 2 3	No	No	Yes	No	1 2 3 4 5 6 7 8 9 10 11	Yes	No	Yes	No
1 2 3 4	No	No	Yes	Yes	1 2 3 4 5 6 7 8 9 10 11 12	Yes	No	Yes	Yes
1 2 3 4 5	No	Yes	No	No	1 2 3 4 5 6 7 8 9 10 11 12 13	Yes	Yes	No	No
1 2 3 4 5 6	No	Yes	No	Yes	1 2 3 4 5 6 7 8 9 10 11 12 13 14	Yes	Yes	No	Yes
1 2 3 4 5 6 7	No	Yes	Yes	No	1 2 3 4 5 6 7 8 9 10 11 12 13 14 15	Yes	Yes	Yes	No
1 2 3 4 5 6 7 8	No	Yes	Yes	Yes	1 2 3 4 5 6 7 8 9 10 11 12 13 14 15 16	Yes	Yes	Yes	Yes

**Selecting Input Ranges**

The following table shows the jumper selections for Current Input Range (0-20mA or 4-20mA). See note below.

Current Input Range	Jumper Settings
0 to 20 mA	Channels 1-8 Jumper  Channels 9-16 Jumper
4 to 20 mA	Channels 1-8 Jumper  Channels 9-16 Jumper



**NOTE:** The jumpers do not have to both be set On or Off (e.g. Channels 1-8 can be selected for 0-20mA and Channels 9-16 can be selected for 4-20mA operation).

## Connecting the Field Wiring

### Wiring Guidelines

Your company may have guidelines for wiring and cable installation. If so, you should check those before you begin the installation. Here are some general things to consider.

- Use the shortest wiring route whenever possible.
- Use shielded wiring and ground the shield at the transmitter source. *Do not* ground the shield at both the module and the source.
- Don't run the signal wiring next to large motors, high current switches, or transformers. This may cause noise problems.
- Route the wiring through an approved cable housing to minimize the risk of accidental damage. Check local and national codes to choose the correct method for your application.

### User Power Supply Requirements

The F4-16AD-1 module requires a separate power supply. The Series DL405 CPUs, D4-RS Remote I/O Controller, and D4-EX Expansion Units have built-in 24 VDC power supplies that provide up to 400mA of current. If you only have a couple analog modules, you can use this power source instead of a separate supply. If you have more than four analog modules, or you would rather use a separate supply, choose one that meets the following requirements: 24 VDC  $\pm$  10%, Class 2, 100 mA current (per module).

## Current Loop Transmitter Impedance

Standard 4 to 20 mA transmitters and transducers can operate from a wide variety of power supplies. Not all transmitters are alike and manufacturers often specify a minimum loop or load resistance that must be used with the transmitter.

The F4-16AD-1 provides 250 ohm resistance for each channel. If your transmitter requires a load resistance below 250 ohms, then you do not have to make any adjustments. However, if your transmitter requires a load resistance higher than 250 ohms, then you need to add a resistor in series with the module.

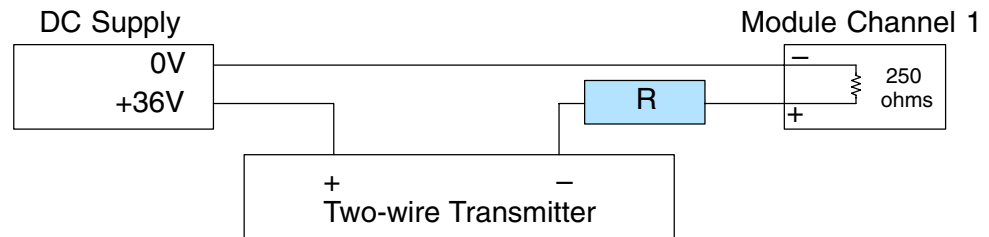
Consider the following example for a transmitter being operated from a 36 VDC supply with a recommended load resistance of 750 ohms. Since the module has a 250 ohm resistor, you need to add an additional resistor.

$$R = Tr - Mr$$

$$R = 750 - 250$$

$$R \geq 500$$

$R$  – resistor to add  
 $Tr$  – Transmitter Requirement  
 $Mr$  – Module resistance (internal 250 ohms)



**NOTE:** Make sure the power dissipated in the resistor does not exceed its power rating. ( $P=VI$ ) In the example above,  $P=36 * 0.02 = 0.72$ , or 3/4 Watts.

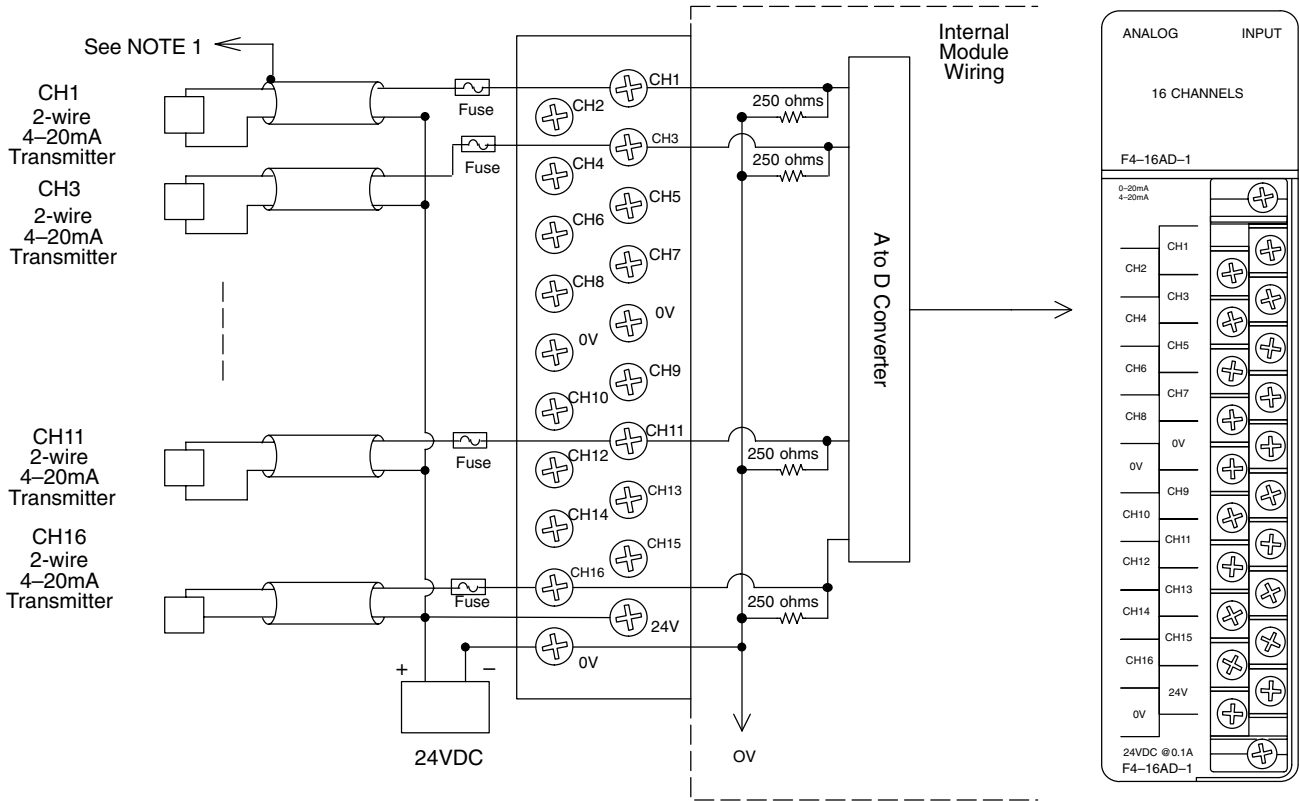


**Removable Connector**

The F4-16AD-1 module has a removable connector to make wiring easier. Simply remove the retaining screws and gently pull the connector from the module.

**Wiring Diagram**

NOTE 1: Shields should be grounded at the signal source.



A series 217, 0.032A fast acting fuse is recommended for current inputs

If the power supply common of an external power supply is not connected to 0V on the module, then the output of the external transmitter must be isolated. To avoid "ground loop" errors, recommended 4-20mA transmitter types are:

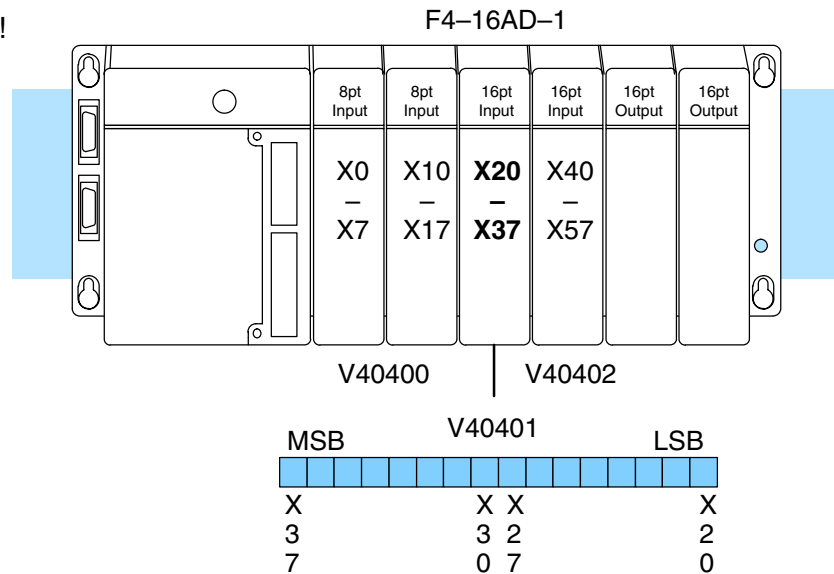
- 2 or 3 wire: Isolation between input signal and power supply.
- 4 wire: Isolation between input signal, power supply, and 4-20mA output.

# Module Operation

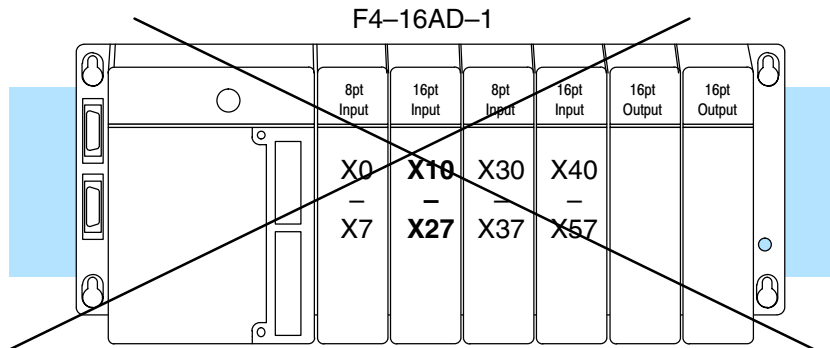
## DL430 Special Requirements

Even though the module can be placed in any slot, it is important to examine the configuration if you are using a DL430 CPU. As you will see in the section on writing the program, you use V-memory locations to extract the analog data. As shown in the following diagram, if you place the module so the input points do not start on a V-memory boundary, the instructions cannot access the data.

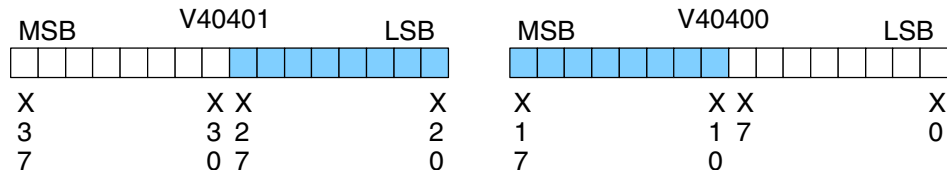
Correct!



Wrong!



Data is split over two locations, so instructions cannot access data from a DL430.

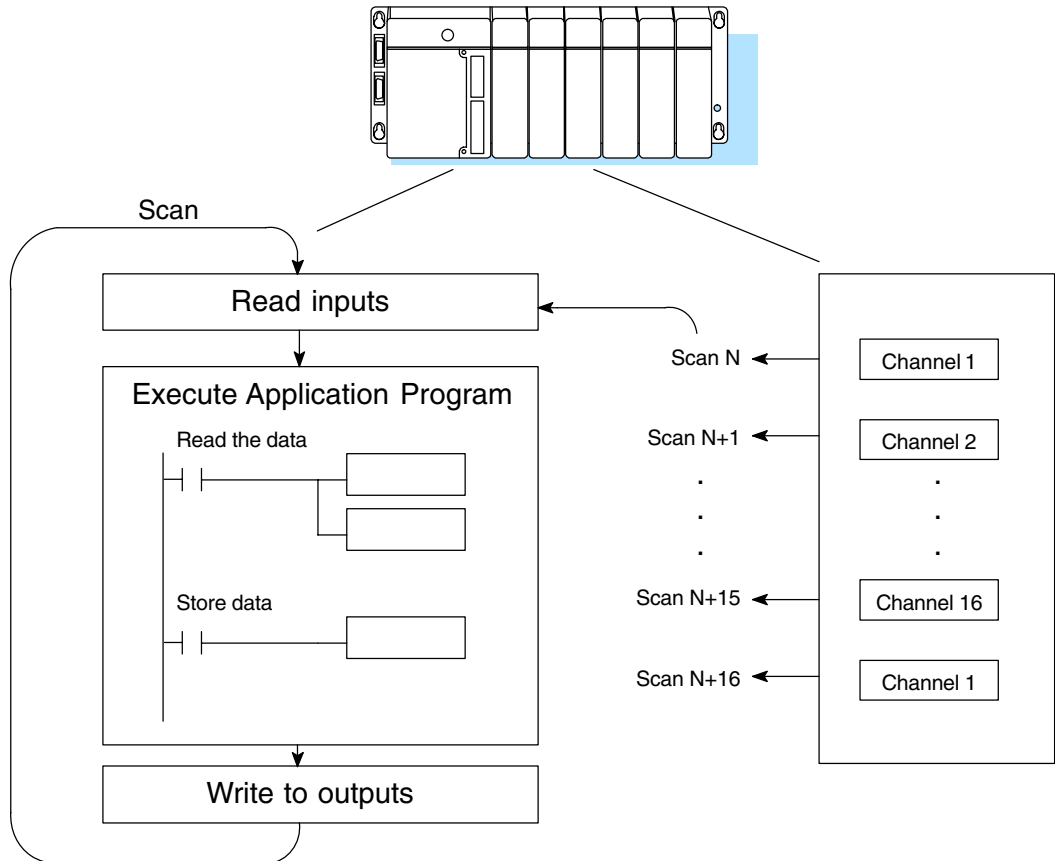


**Channel Scanning Sequence**

Before you begin writing the control program, it is important to take a few minutes to understand how the module processes and represents the analog signals.

The F4-16AD-1 module supplies one channel of data per each CPU scan. Since there are 16 channels, it can take up to 16 scans to get data for all channels. Once all channels have been scanned, the process starts over with channel 1. There are ways around this. Later we'll show you how to write a program that will get all 16 channels in one scan.

Unused channels are not processed, so if you select only two channels, then each channel will be updated every other scan.



Even though the channel updates to the CPU are synchronous with the CPU scan, the module asynchronously monitors the analog transmitter signal and converts the signal to a 12-bit binary representation. This enables the module to continuously provide accurate measurements without slowing down the discrete control logic in the RLL program.

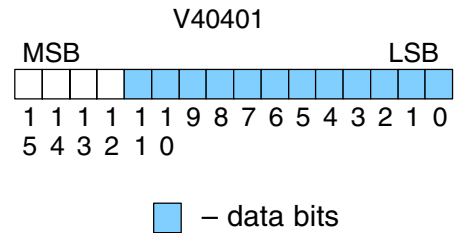




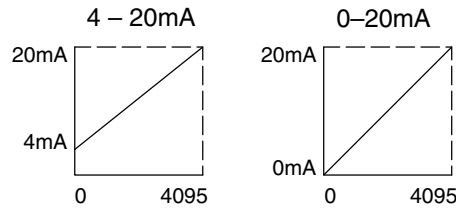
### Analog Data Bits

The first twelve bits represent the analog data in binary format.

Bit	Value	Bit	Value
0	1	6	64
1	2	7	128
2	4	8	256
3	8	9	512
4	16	10	1024
5	32	11	2048



Since the module has 12-bit resolution, the analog signal is converted into 4096 counts ranging from 0-4095 ( $2^{12}$ ). For example, with a 0 to 10V scale, a 0V signal would be 0, and a 10V signal would be 4095. This is equivalent to a binary value of 0000 0000 0000 to 1111 1111 1111, or 000 to FFF hexadecimal. The following diagram shows how this relates to each signal range.



Each count can also be expressed in terms of the signal level by using the equation shown. The following table shows the smallest signal levels that will result in a change in the data value for each signal range.

$$\text{Resolution} = \frac{H - L}{4095}$$

H = high limit of the signal range

L = low limit of the signal range

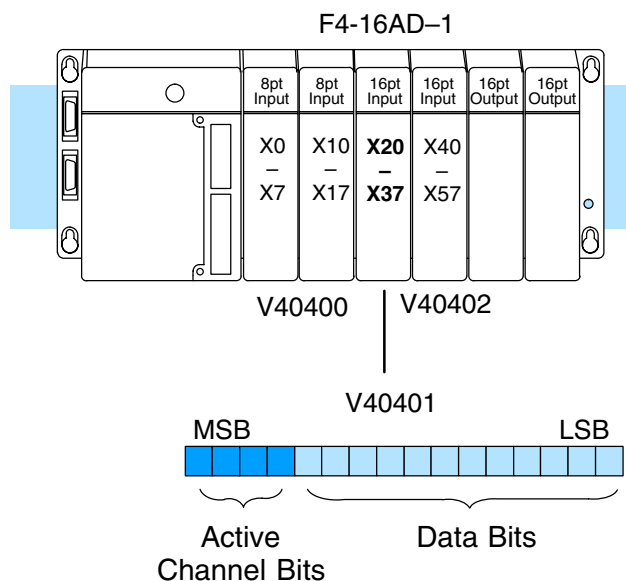
Range	Signal Span (H - L)	Divide By	Smallest Detectable Change
0 to 20mA	20 mA	4095	4.88 $\mu$ A
4 to 20mA	16 mA	4095	3.91 $\mu$ A

## Writing the Control Program

If you have configured the F4-16AD-1 module, use the following examples to get started writing the control program.

### Multiple Channels Selected

Since all channels are multiplexed into a single data word, the control program must be set up to determine which channel is being read. Since the module appears as X input points to the CPU, it is very easy to use the active channel status bits to determine which channel is being monitored.



### Storing the Channel Data to V-Memory

The OUTX instruction used the following programming examples that follow stores the channel data to an address that starts at V3000 plus the channel offset. For example, if channel 2 was being read, the data would be stored in V3002 (V3000 + 2).

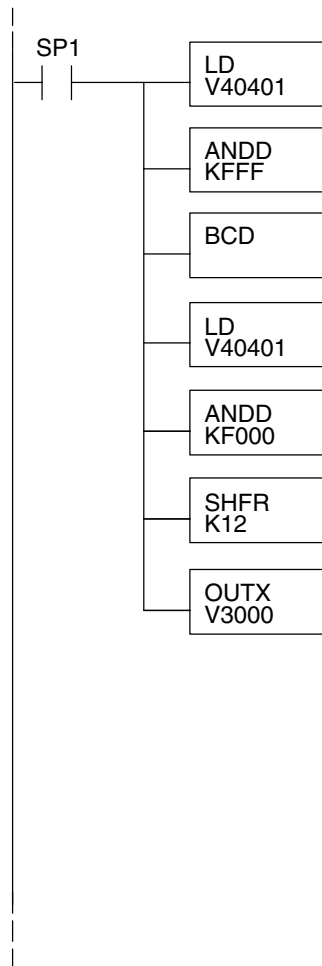
Module Reading	Acc. Bits	Offset	Data Stored in ...
Channel 1	0000	0	V3000
Channel 2	0001	1	V3001
Channel 3	0010	2	V3002
Channel 4	0011	3	V3003
Channel 5	0100	4	V3004
Channel 6	0101	5	V3005
Channel 7	0110	6	V3006
Channel 8	0111	7	V3007
Channel 9	1000	8	V3010
Channel 10	1001	9	V3011
Channel 11	1010	10	V3012
Channel 12	1011	11	V3013
Channel 13	1100	12	V3014
Channel 14	1101	13	V3015
Channel 15	1110	14	V3016
Channel 16	1111	15	V3017

## Reading Values, DL430 CPU



430 440 450

The following program example shows how to read the analog data into V-memory locations with the DL430 CPU. Since the DL430 does not support the LDF instruction, you can use the LD instruction instead as shown. The example also works for DL440 and DL450 CPUs. This example will read one channel per scan, so it will take eight scans to read all eight channels. Contact SP1 is used in the example because the inputs are continually being updated.



Loads the complete channel data word from the module into the accumulator. The V-memory location depends on the I/O configuration. See Appendix A for the memory map.

This instruction masks the channel identification bits. Without this, the values used will not be correct, so do not forget to include it.

Since the DL405 CPUs perform math operations in BCD, it is usually best to convert the data to BCD immediately. You can leave out this instruction if your application does not require it (such as for PID loops, which require the process variable to be in binary format).

This load instruction reads the data into the accumulator again. The channel data will be pushed into the first level of the stack.

This instruction masks the analog data values and leaves the channel ID bits in the accumulator.

Now you have to shift the accumulator bits so the channel ID bits will result in a value between 0 and 15 (binary format). This value is the offset and indicates which channel is being processed in that scan.

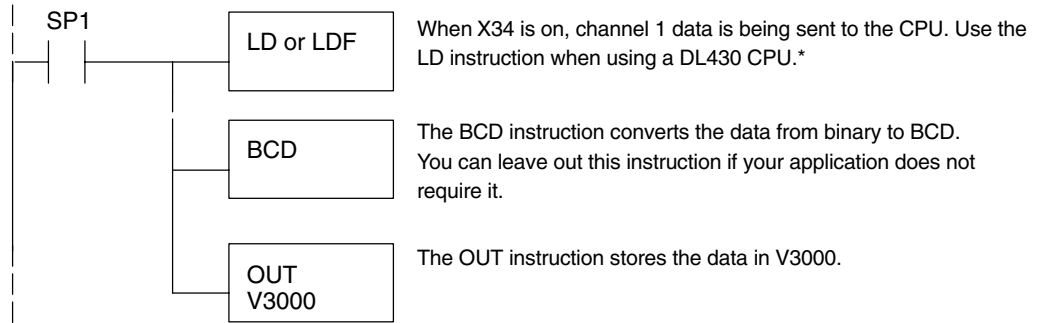
OUTX copies the value from the first level of the accumulator stack to a source address offset by the value in the accumulator. In this case it adds the above binary value (0–15) to V3000. The particular channel data is then stored in its respective location: For example, if the binary value of the channel select bits is 0, then channel 1 data is stored in V-memory location V3000 (V3000 + 0) and if the binary value is 6, then the channel 7 data is stored in location V3006 (V3000 + 6). See the table on page 6-13.

Note, this example uses SP1, which is always on. You could also use an X, C, etc. permissive contact.

### Single Channel Selected

430
  440
  450

Since you do not have to determine which channel is selected, the single channel program is even more simple.



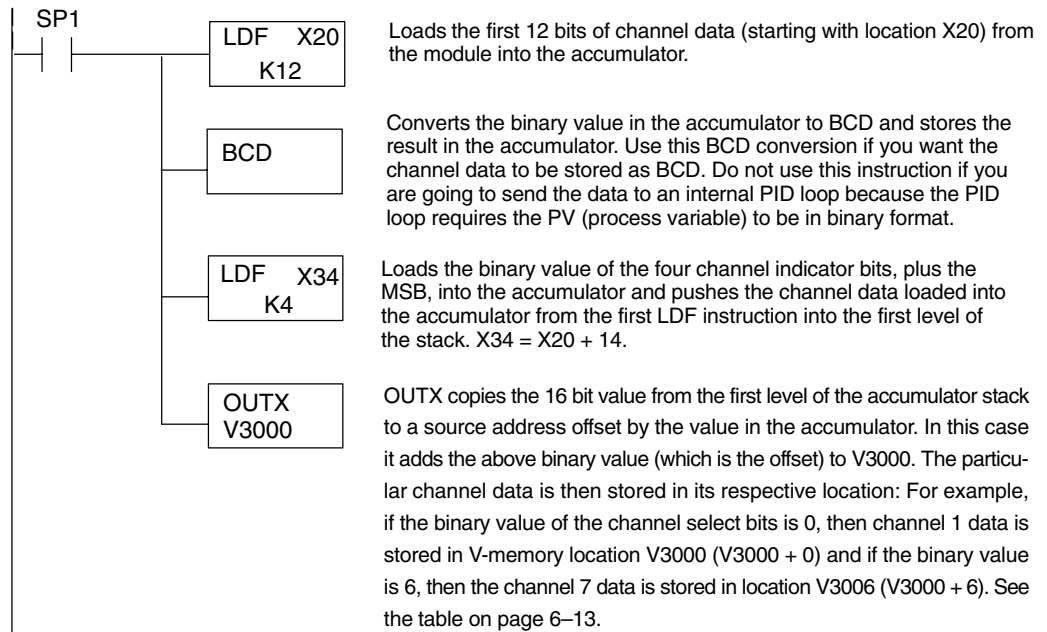
Note: This example uses SP1, which is always on. You could also use an X, C, etc. permissive contact.

\* Remember, before the BCD instruction is executed, the DL430 requires an additional instruction to mask out the first four bits that are brought in with the LD instruction. An example of how to do this using an ANDD instruction is shown in the previous section.

### Reading Values

430
  440
  450

The following program example shows how to read the analog data into V-memory locations with DL440 and DL450 CPUs. Once the data is in V-memory, you can perform math on the data, compare the data against preset values, and so forth. This example will read one channel per scan, so it will take eight scans to read all eight channels.



Note: This example uses SP1, which is always on. You could also use an X, C, etc. permissive contact.

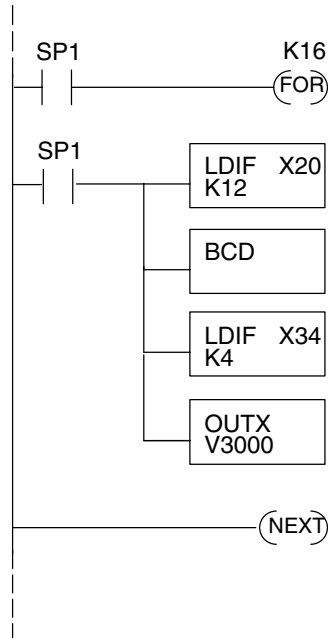
### Reading sixteen Channels in One Scan

430 
  440 
  450



The following program example shows how to read all sixteen channels in one scan by using a FOR/NEXT loop. Before you choose this method, do consider its impact on CPU scan time. The FOR/NEXT routine shown here will add about 32ms (2ms/loop) to the overall scan time. If you do not need to read the analog data on every scan, change SP1 to a permissive contact (such as an X input, CR, or stage bit) to only enable the FOR/NEXT loop when it is required.

**NOTE:** Do not use this FOR/NEXT loop program to read the module in a remote/slave arrangement; it will not work. Use one of the programs shown that reads one channel per scan.



Starts the FOR/NEXT loop. The constant (K16) specifies how many times the loop will execute. Enter a constant equal to the number of channels you are using. For example, enter K4 if you're using 4 channels.

Immediately loads the first 12 bits of the data word (starting with X20) into the accumulator. The LDIF instruction will retrieve the I/O points without waiting on the CPU to finish the scan.

Since the DL405 CPUs perform math operations in BCD, it is usually best to convert the data to BCD immediately. You can leave out this instruction if your application does not require it (such as PID loops).

This LDIF instruction immediately loads the four channel indicator bits into the accumulator.

The OUTX instruction stores the channel data to an address that starts at V3000 plus the channel offset. For example, if channel 2 was being read, the data would be stored in V3002 (V3000 + 2). See the table on page 6-13.

Note, this example uses SP1, which is always on. You could also use an X, C, etc. permissive contact.

### Scaling the Input Data

Most applications usually require measurements in engineering units, which provide more meaningful data. This is accomplished by using the conversion formula shown.

You may have to make adjustments to the formula depending on the scale you choose for the engineering units.

$$\text{Units} = A \frac{H - L}{4095}$$

H = high limit of the Engineering unit range

L = low limit of the Engineering unit range

A = Analog value (0 – 4095)

For example, if you wanted to measure pressure (PSI) from 0.0 to 99.9 then you would have to multiply the analog value by 10 in order to imply a decimal place when you view the value with the programming software or a handheld programmer. Notice how the calculations differ when you use the multiplier.

Analog Value of 2024, slightly less than half scale, should yield 49.4 PSI

Example without multiplier

$$\text{Units} = A \frac{H - L}{4095}$$

$$\text{Units} = 2024 \frac{100 - 0}{4095}$$

$$\text{Units} = 49$$

Handheld Display

```
V 3101 V 3100
V MON 0000 0049
```

Example with multiplier

$$\text{Units} = 10 A \frac{H - L}{4095}$$

$$\text{Units} = 20240 \frac{100 - 0}{4095}$$

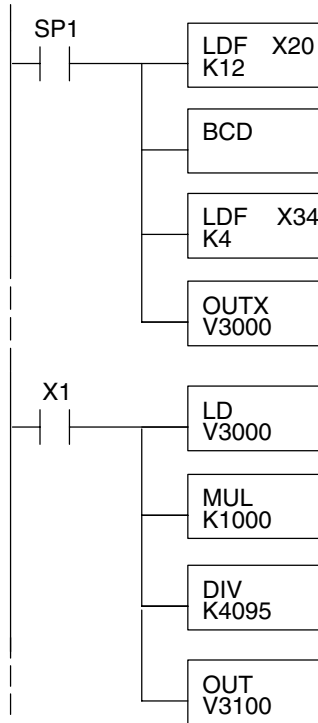
$$\text{Units} = 494$$

Handheld Display

```
V 3101 V 3100
V MON 0000 0494*
```

\*Value is more accurate

Here's how you would write the program to perform the engineering unit conversion. This example uses SP1 which is always on. You could also use an X, C, etc. permissive contact.



LDF X20 K12 Loads the first 12 bits of the channel data word into the accumulator. The X address depends on the I/O configuration.

BCD Since we are going to perform some math operations in BCD, this instruction converts the data format.

LDF X34 K4 This LDF instruction loads the four channel indicator bits, plus the MSB, into the accumulator. The channel data from the first LDF instruction is pushed into the stack. X34 = X20 + 14.

OUTX V3000 The OUTX instruction stores the channel data to an address that starts at V3000 plus the channel offset. For example, if channel two was being read, the data would be stored in V3001.

LD V3000 When X1 is on, channel 1 data is loaded into the accumulator.

MUL K1000 Multiplies the accumulator data by 1000 (to start the conversion).

DIV K4095 Divides the accumulator data by 4095.

OUT V3100 Stores the result in location V3100.

**Analog and  
Digital Value  
Conversions**

Sometimes it is helpful to be able to quickly convert between the signal levels and the digital values. This is especially useful during machine startup or troubleshooting. The following table provides formulas to make this conversion easier.

Range	If you know the digital value ...	If you know the signal level ...
0 to 20mA	$A = \frac{20D}{4095}$	$D = \frac{4095}{20}(A)$
4 to 20mA	$A = \frac{16D}{4095} + 4$	$D = \frac{4095}{16}(A - 4)$

For example, if you are using the 0 to 20mA range and you have measured the signal at 6mA, you would use the following formula to determine the digital value that should be stored in the V-memory location that contains the data.

$$D = \frac{4095}{20}(A)$$

$$D = \frac{4095}{20}(6\text{mA})$$

$$D = (204.75)(6)$$

$$D = 1228$$