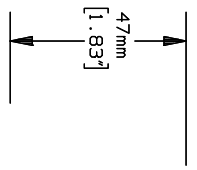
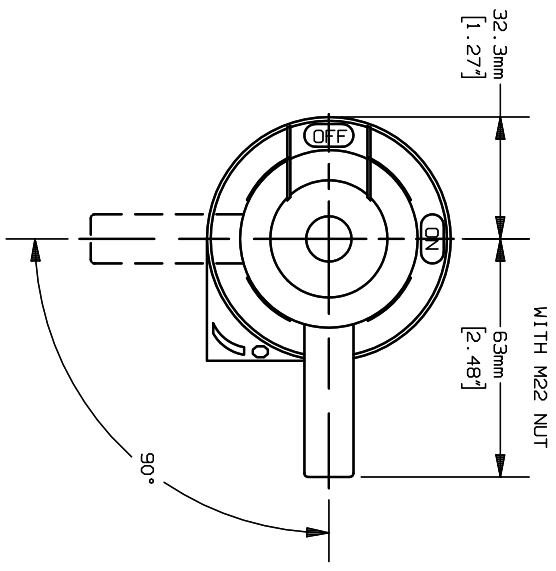


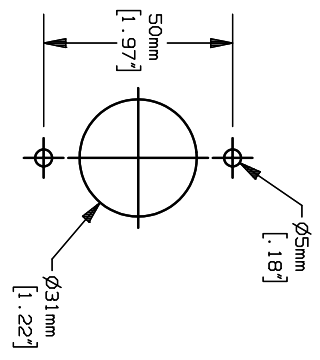
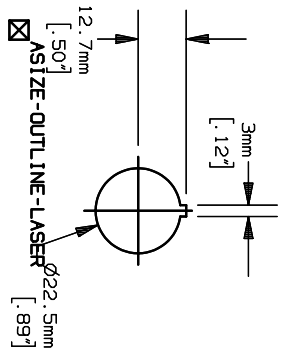
4/3/01	N/A	INITIAL-RELEASE	LAS	N/A	N/A
--------	-----	-----------------	-----	-----	-----



HANDLE\_TYPE\_D2\_BACK



DOOR DRILLING



TYPE D2 HANDLE

700621