

# DURA PULSE

## Dynamic Braking User Manual GS-DB\_UMW



**BLANK  
PAGE**

## ~ WARNING ~

Thank you for purchasing automation equipment from Automationdirect.com®, doing business as AutomationDirect. We want your new automation equipment to operate safely. Anyone who installs or uses this equipment should read this publication (and any other relevant publications) before installing or operating the equipment.

To minimize the risk of potential safety problems, you should follow all applicable local and national codes that regulate the installation and operation of your equipment. These codes vary from area to area and usually change with time. It is your responsibility to determine which codes should be followed, and to verify that the equipment, installation, and operation is in compliance with the latest revision of these codes.

At a minimum, you should follow all applicable sections of the National Fire Code, National Electrical Code, and the codes of the National Electrical Manufacturer's Association (NEMA). There may be local regulatory or government offices that can also help determine which codes and standards are necessary for safe installation and operation.

Equipment damage or serious injury to personnel can result from the failure to follow all applicable codes and standards. We do not guarantee the products described in this publication are suitable for your particular application, nor do we assume any responsibility for your product design, installation, or operation.

Our products are not fault-tolerant and are not designed, manufactured or intended for use or resale as on-line control equipment in hazardous environments requiring fail-safe performance, such as in the operation of nuclear facilities, aircraft navigation or communication systems, air traffic control, direct life support machines, or weapons systems, in which the failure of the product could lead directly to death, personal injury, or severe physical or environmental damage ("High Risk Activities"). AutomationDirect specifically disclaims any expressed or implied warranty of fitness for High Risk Activities.

For additional warranty and safety information, see the Terms and Conditions section of our catalog. If you have any questions concerning the installation or operation of this equipment, or if you need additional information, please call us at 770-844-4200.

This publication is based on information that was available at the time it was printed. At AutomationDirect we constantly strive to improve our products and services, so we reserve the right to make changes to the products and/or publications at any time without notice and without any obligation. This publication may also discuss features that may not be available in certain revisions of the product.

## TRADEMARKS

This publication may contain references to products produced and/or offered by other companies. The product and company names may be trademarked and are the sole property of their respective owners. AutomationDirect disclaims any proprietary interest in the marks and names of others.

***Copyright 2004–2022 Automationdirect.com® Incorporated  
All Rights Reserved***

No part of this manual shall be copied, reproduced, or transmitted in any way without the prior, written consent of Automationdirect.com® Incorporated. AutomationDirect retains the exclusive rights to all information included in this document.

## ~ AVERTISSEMENT ~

Nous vous remercions d'avoir acheté l'équipement d'automatisation de Automationdirect.com®, en faisant des affaires comme AutomationDirect. Nous tenons à ce que votre nouvel équipement d'automatisation fonctionne en toute sécurité. Toute personne qui installe ou utilise cet équipement doit lire la présente publication (et toutes les autres publications pertinentes) avant de l'installer ou de l'utiliser.

Afin de réduire au minimum le risque d'éventuels problèmes de sécurité, vous devez respecter tous les codes locaux et nationaux applicables régissant l'installation et le fonctionnement de votre équipement. Ces codes diffèrent d'une région à l'autre et, habituellement, évoluent au fil du temps. Il vous incombe de déterminer les codes à respecter et de vous assurer que l'équipement, l'installation et le fonctionnement sont conformes aux exigences de la version la plus récente de ces codes.

Vous devez, à tout le moins, respecter toutes les sections applicables du Code national de prévention des incendies, du Code national de l'électricité et des codes de la National Electrical Manufacturer's Association (NEMA). Des organismes de réglementation ou des services gouvernementaux locaux peuvent également vous aider à déterminer les codes ainsi que les normes à respecter pour assurer une installation et un fonctionnement sûrs.

L'omission de respecter la totalité des codes et des normes applicables peut entraîner des dommages à l'équipement ou causer de graves blessures au personnel. Nous ne garantissons pas que les produits décrits dans cette publication conviennent à votre application particulière et nous n'assumons aucune responsabilité à l'égard de la conception, de l'installation ou du fonctionnement de votre produit.

Nos produits ne sont pas insensibles aux défaillances et ne sont ni conçus ni fabriqués pour l'utilisation ou la vente en tant qu'équipement de commande en ligne dans des environnements dangereux nécessitant une sécurité absolue, par exemple, l'exploitation d'installations nucléaires, les systèmes de navigation aérienne ou de communication, le contrôle de la circulation aérienne, les équipements de survie ou les systèmes d'armes, pour lesquels la défaillance du produit peut provoquer la mort, des blessures corporelles ou de graves dommages matériels ou environnementaux («activités à risque élevé»). La société AutomationDirect nie toute garantie expresse ou implicite d'aptitude à l'emploi en ce qui a trait aux activités à risque élevé.

Pour des renseignements additionnels touchant la garantie et la sécurité, veuillez consulter la section Modalités et conditions de notre documentation. Si vous avez des questions au sujet de l'installation ou du fonctionnement de cet équipement, ou encore si vous avez besoin de renseignements supplémentaires, n'hésitez pas à nous téléphoner au 770-844-4200.

Cette publication s'appuie sur l'information qui était disponible au moment de l'impression. À la société AutomationDirect, nous nous efforçons constamment d'améliorer nos produits et services. C'est pourquoi nous nous réservons le droit d'apporter des modifications aux produits ou aux publications en tout temps, sans préavis ni quelque obligation que ce soit. La présente publication peut aussi porter sur des caractéristiques susceptibles de ne pas être offertes dans certaines versions révisées du produit.

## MARQUES DE COMMERCE

La présente publication peut contenir des références à des produits fabriqués ou offerts par d'autres entreprises. Les désignations des produits et des entreprises peuvent être des marques de commerce et appartiennent exclusivement à leurs propriétaires respectifs. AutomationDirect nie tout intérêt dans les autres marques et désignations.

**Copyright 2004–2022 Automationdirect.com® Incorporated**

**Tous droits réservés**

Nulle partie de ce manuel ne doit être copiée, reproduite ou transmise de quelque façon que ce soit sans le consentement préalable écrit de la société Automationdirect.com® Incorporated. AutomationDirect conserve les droits exclusifs à l'égard de tous les renseignements contenus dans le présent document.

## ~ WARNINGS ~



*WARNING: ALWAYS READ THIS MANUAL THOROUGHLY BEFORE USING THE DURAPULSE DYNAMIC BRAKE UNIT WITH THE DURAPULSE AC MOTOR DRIVE.*



*WARNING: AC INPUT POWER MUST BE DISCONNECTED BEFORE PERFORMING ANY MAINTENANCE. DO NOT CONNECT OR DISCONNECT WIRES OR CONNECTORS WHILE POWER IS APPLIED TO THE CIRCUIT. MAINTENANCE MUST ONLY BE PERFORMED BY A QUALIFIED TECHNICIAN.*



*WARNING: THERE ARE HIGHLY SENSITIVE MOS COMPONENTS ON THE PRINTED CIRCUIT BOARDS. THESE COMPONENTS ARE ESPECIALLY SENSITIVE TO STATIC ELECTRICITY. TO AVOID DAMAGE TO THESE COMPONENTS, DO NOT TOUCH THESE COMPONENTS OR THE CIRCUIT BOARDS WITH METAL OBJECTS OR YOUR BARE HANDS.*



*WARNING: A CHARGE MAY STILL REMAIN IN THE AC DRIVE'S DC-LINK CAPACITOR(S) WITH HAZARDOUS VOLTAGES EVEN IF THE POWER HAS BEEN TURNED OFF TO THE AC DRIVE. TO AVOID PERSONAL INJURY, DO NOT REMOVE THE COVER OF THE DURAPULSE DYNAMIC BRAKE UNIT OR THE AC DRIVE UNTIL THE POWER HAS BEEN DISCONNECTED FROM THE AC DRIVE AND ALL "DISCHARGE" INDICATORS ON THE DEVICES ARE OFF. PLEASE NOTE THAT THERE ARE LIVE COMPONENTS EXPOSED WITHIN THE BRAKE UNIT AND THE AC DRIVE. DO NOT TOUCH THESE LIVE PARTS.*



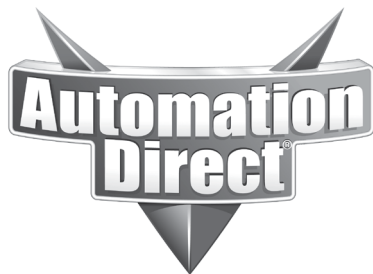
*WARNING: GROUND THE DURAPULSE DYNAMIC BRAKE UNIT USING THE GROUND TERMINAL. THE GROUNDING METHOD MUST COMPLY WITH THE LAWS OF THE COUNTRY WHERE THE BRAKE UNIT IS TO BE INSTALLED. REFER TO THE "BASIC BRAKING WIRING DIAGRAM" SHOWN IN "CHAPTER 3: COMPONENT CONFIGURATION AND WIRING."*



*WARNING: THE MOUNTING ENCLOSURE OF THE DURAPULSE DYNAMIC BRAKE UNIT MUST COMPLY WITH EN50178. LIVE PARTS SHALL BE ARRANGED IN ENCLOSURES OR LOCATED BEHIND BARRIERS THAT MEET AT LEAST THE REQUIREMENTS OF THE PROTECTIVE TYPE IP20. THE TOP SURFACE OF THE ENCLOSURES OR BARRIER THAT IS EASILY ACCESSIBLE SHALL MEET AT LEAST THE REQUIREMENTS OF THE PROTECTIVE TYPE IP40. USERS MUST PROVIDE THIS ENVIRONMENT FOR THE BRAKE UNIT AND BRAKING RESISTOR.*



# DURAPULSE DYNAMIC BRAKING USER MANUAL REVISION HISTORY



*Please include the Manual Number and the Manual Issue, both shown below, when communicating with Technical Support regarding this publication.*

**MANUAL NUMBER:**            **GS-DB\_UMW**  
**ISSUE:**                        **SECOND EDITION, REVISION D**  
**ISSUE DATE:**                **06/10/2022**

PUBLICATION HISTORY		
ISSUE	DATE	DESCRIPTION OF CHANGES
First Edition	11/17/2003	Original
1st Ed. Rev.A	03/2004	Minor changes
1st Ed. Rev.B	07/2009	GS-2050-BR-ENC specifications
Second Edition	09/28/2017	User Manual name change (previous name: GS3-DB-M) Added GS4 series AC Drives Added (5) GS-xDB series Dynamic Braking Units; where x = 1,3,5,6,7 Added (19) GS-BR-xxxWxxx series Dynamic Braking Resistors Added Chapters 2 and 3 Modifications to braking resistor dimension drawings Ch2
2nd Ed. Rev.A	10/26/2017	Bar code Ch2: Dimensions for resistors GS-20P5-BR & GS-21P0-BR
2nd Ed. Rev.B	05/17/2019	User Manual name change (previous name: GS-DB_UMP) Ch3: Thermal overload relay recommendation and wiring diagram
2nd Ed. Rev.C	06/14/2019	Ch3: Basic Braking Wiring Diagram
2nd Ed., Rev. D	06/10/2022	Ch1 and Ch2: Added new braking resistors for GS20 drives

**BLANK  
PAGE**



# GS DURAPULSE AC DRIVES DYNAMIC BRAKING USER MANUAL TABLE OF CONTENTS



## TABLE OF CONTENTS

### USER MANUAL CONTENTS

<i>WARNINGS AND TRADEMARKS</i> . . . . .	<i>W-1</i>
<i>DURAPULSE DYNAMIC BRAKING USER MANUAL REVISION HISTORY</i> . . . . .	<i>H-1</i>
<b>CHAPTER 1: BRAKING OVERVIEW AND COMPONENT SPECIFICATIONS</b> . . . . .	<b>1-1</b>
<i>Manual Overview</i> . . . . .	<i>1-2</i>
<i>Overview of this Publication</i> . . . . .	<i>1-2</i>
<i>Who Should Read This Manual</i> . . . . .	<i>1-2</i>
<i>Supplemental Publications</i> . . . . .	<i>1-2</i>
<i>Technical Support</i> . . . . .	<i>1-2</i>
<i>Special Symbols</i> . . . . .	<i>1-3</i>
<i>Introduction</i> . . . . .	<i>1-3</i>
<i>Dynamic Braking</i> . . . . .	<i>1-3</i>
<i>Dynamic Braking Units</i> . . . . .	<i>1-3</i>
<i>Braking Duty Cycle</i> . . . . .	<i>1-4</i>
<i>Overload Relay</i> . . . . .	<i>1-5</i>
<i>Overload Relay Purpose</i> . . . . .	<i>1-5</i>
<i>Overload Relay Selection Procedure and Example</i> . . . . .	<i>1-5</i>
<i>Dynamic Braking Component Selection for DURApulse AC Drives</i> . . . . .	<i>1-6</i>
<i>Braking Component Selection for GS3 DURApulse Drives</i> . . . . .	<i>1-6</i>
<i>Braking Component Selection for GS4 DURApulse Drives</i> . . . . .	<i>1-7</i>
<i>Dynamic Braking Unit Specifications</i> . . . . .	<i>1-8</i>
<i>Lamp/LED Indicators for Dynamic Braking Units</i> . . . . .	<i>1-8</i>
<i>Dynamic Braking Resistors Specifications</i> . . . . .	<i>1-9</i>
<b>CHAPTER 2: BRAKING COMPONENT INSTALLATION AND DIMENSIONS</b> . . . . .	<b>2-1</b>
<i>Installation</i> . . . . .	<i>2-2</i>
<i>General Installation Guidelines</i> . . . . .	<i>2-2</i>
<i>Minimum Clearances and Air Flow</i> . . . . .	<i>2-2</i>
<i>Braking Unit Dimensions</i> . . . . .	<i>2-4</i>
<i>Braking Resistor Dimensions</i> . . . . .	<i>2-5</i>

<i>CHAPTER 3: BRAKING COMPONENT CONFIGURATION AND WIRING</i> . . . . .	3-1
<i>Operational Electrical Information</i> . . . . .	3-2
<i>Overload Relay</i> . . . . .	3-2
<i>Dynamic Braking Unit Setup</i> . . . . .	3-3
<i>DBU Jumper and Wiring Terminal Locations</i> . . . . .	3-3
<i>DBU Voltage Jumper Settings</i> . . . . .	3-4
<i>DBU Master/Slave Jumper Settings</i> . . . . .	3-5
<i>Dynamic Braking Wiring</i> . . . . .	3-6
<i>Wiring Warnings and Notes</i> . . . . .	3-6
<i>Maximum Wiring Distances</i> . . . . .	3-7
<i>Dynamic Braking Unit Wiring Terminals</i> . . . . .	3-7
<i>Basic Braking Wiring Diagram</i> . . . . .	3-9
<i>Specific Braking Wiring Diagrams</i> . . . . .	3-10



# CHAPTER 1

## BRAKING OVERVIEW AND COMPONENT SPECIFICATIONS

---

### TABLE OF CONTENTS

<i>Manual Overview</i> . . . . .	1-2
<i>Overview of this Publication</i> . . . . .	1-2
<i>Who Should Read This Manual</i> . . . . .	1-2
<i>Supplemental Publications</i> . . . . .	1-2
<i>Technical Support</i> . . . . .	1-2
<i>Special Symbols</i> . . . . .	1-3
<i>Introduction</i> . . . . .	1-3
<i>Dynamic Braking</i> . . . . .	1-3
<i>Dynamic Braking Units</i> . . . . .	1-3
<i>Braking Duty Cycle</i> . . . . .	1-4
<i>Overload Relay</i> . . . . .	1-5
<i>Overload Relay Purpose</i> . . . . .	1-5
<i>Overload Relay Selection Procedure and Example</i> . . . . .	1-5
<i>Dynamic Braking Component Selection for DURApulse AC Drives</i> . . . . .	1-6
<i>Braking Component Selection for GS3 DURApulse Drives</i> . . . . .	1-6
<i>Braking Component Selection for GS4 DURApulse Drives</i> . . . . .	1-7
<i>Dynamic Braking Unit Specifications</i> . . . . .	1-8
<i>Lamp/LED Indicators for Dynamic Braking Units</i> . . . . .	1-8
<i>Dynamic Braking Resistors Specifications</i> . . . . .	1-9

## MANUAL OVERVIEW

### OVERVIEW OF THIS PUBLICATION

The *DURAPULSE* Dynamic Braking User Manual describes the installation, wiring, configuration, and operation of the dynamic braking unit and braking resistors as used with GS3 and GS4 series *DURAPULSE* AC Drives.

The content of this user manual may be revised without prior notice. Please visit the Automationdirect.com website to download the most recent version.  
([www.automationdirect.com](http://www.automationdirect.com))

### WHO SHOULD READ THIS MANUAL

This manual contains important information for those who will install, maintain, and/or operate any *DURAPULSE* GS3 or GS4 series AC Drive that makes use of the dynamic braking in their application.

### SUPPLEMENTAL PUBLICATIONS

The *DURAPULSE* AC Drive User Manuals (GS3-M & GS4-M) are available from AutomationDirect and should be used along with this manual to properly install and operate both the *DURAPULSE* AC drive and the *DURAPULSE* dynamic braking unit.

The National Electrical Manufacturers Association (NEMA) publishes many different documents that discuss standards for industrial control equipment. Global Engineering Documents handles the sale of NEMA documents. For more information, you can contact Global Engineering Documents at:

**15 Inverness Way East  
Englewood, CO 80112-5776  
1-800-854-7179 (within the U.S.)  
303-397-7956 (international)  
[www.global.ihs.com](http://www.global.ihs.com)**

NEMA documents that might assist with your AC drive systems are:

- Application Guide for AC Adjustable Speed Drive Systems
- Safety Standards for Construction and Guide for Selection, Installation, and Operation of Adjustable Speed Drive Systems

### TECHNICAL SUPPORT

**By Telephone: 770-844-4200 (Mon.-Fri., 9:00 a.m.-6:00 p.m. E.T.)**

**On the Web: [www.automationdirect.com](http://www.automationdirect.com)**

Our technical support group is glad to work with you in answering your questions. If you cannot find the solution to your particular application, or, if for any reason you need additional technical assistance, please call technical support at 770-844-4200. We are available weekdays from 9:00 a.m. to 6:00 p.m. Eastern Time.

We also encourage you to visit our website where you can find technical and non-technical information about our products and our company. Visit us at [www.automationdirect.com](http://www.automationdirect.com).

### SPECIAL SYMBOLS



When you see the “notepad” icon in the left-hand margin, the paragraph to its immediate right will be a special note.



WHEN YOU SEE THE “EXCLAMATION MARK” ICON IN THE LEFT-HAND MARGIN, THE PARAGRAPH TO ITS IMMEDIATE RIGHT WILL BE A WARNING. THIS INFORMATION COULD PREVENT INJURY, LOSS OF PROPERTY, OR EVEN DEATH (IN EXTREME CASES).

## INTRODUCTION

### DYNAMIC BRAKING

All *DURAPULSE* GS3 and GS4 series AC drives are capable of dynamic braking to enable an AC motor with a high-inertia load to decelerate more rapidly than could be otherwise achieved, and to absorb the energy generated when a three-phase induction motor decelerates.

Applications with high-inertia type loads tend to cause the motor to regenerate energy back into the AC drive. This regeneration causes the AC drive’s internal DC bus voltage to rise, which can cause an over voltage fault. With dynamic braking, the energy generated by the overhauling motor is dissipated through dedicated braking resistors as heat.

As shown in the selection tables in this chapter, lower-capacity drives can connect directly to the optional external braking resistors, but higher-capacity drives also require optional dynamic braking units installed between the drives and resistors.

### DYNAMIC BRAKING UNITS

*DURAPULSE* dynamic braking units are used with larger *DURAPULSE* AC Drives to continuously monitor the drive’s DC bus voltage. When bus voltage exceeds a predetermined level (depending on the supply voltage) the dynamic braking unit dissipates the excess energy into external resistors in the form of heat. *DURAPULSE* dynamic braking units must be used along with GS series braking resistors to provide optimum braking performance.

*DURAPULSE* dynamic braking units are available for both 230V or 460V *DURAPULSE* AC Drives. MASTER/SLAVE configurations allow the use of multiple *DURAPULSE* dynamic braking units in order to accommodate the power ratings of larger *DURAPULSE* AC Drives and motors.

*DURAPULSE* dynamic braking units (GS-1DBU, GS-2DBU, GS-3DBU and GS-4DBU) are approved by Underwriters Laboratories, Inc. (UL) and Canadian Underwriters Laboratories (cUL).

### Unpacking

After receiving the *DURAPULSE* dynamic braking unit, please check for the following:

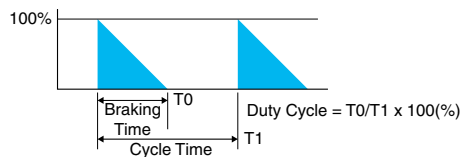
- Make sure that the part number indicated on the package corresponds with the part number of your order.
- Make sure that the package includes the *DURAPULSE* dynamic braking unit and the *DURAPULSE* dynamic braking unit User Manual.
- Inspect the contents to insure they were not damaged during shipment.

## BRAKING DUTY CYCLE

Application of a *DURAPULSE* dynamic braking unit should take into account how often the motor will stop or decelerate during normal operation. The Duty Cycle is the percentage of time the brake is actually used during deceleration in comparison to the time elapsed between each start or acceleration of the motor. This Duty Cycle percentage is necessary to allow the dynamic braking unit and braking resistor(s) sufficient time to dissipate the heat created during dynamic braking. If the Duty Cycle is exceeded, the braking resistor will not cool sufficiently, causing resistance to increase as the temperature rises with the loss of effective braking torque.

**Example:** If in a given application it is determined that it will take 10 seconds for the motor to decelerate to a stop using dynamic braking, then the motor can only be cycled on and off continuously every 1.6 minutes (100 seconds).

- $10 / 100 \times 100 = 10\%$  Duty Cycle



---

*The maximum braking On-Time for the maximum 10% Duty Cycle is 10 seconds.*

---

## OVERLOAD RELAY

### OVERLOAD RELAY PURPOSE

For safety purposes, install an external overload relay between the dynamic brake unit and the braking resistor. The thermal overload relay protects the braking resistor from damage due to frequent braking, or due to the braking unit operating excessively due to unusually high input voltage.

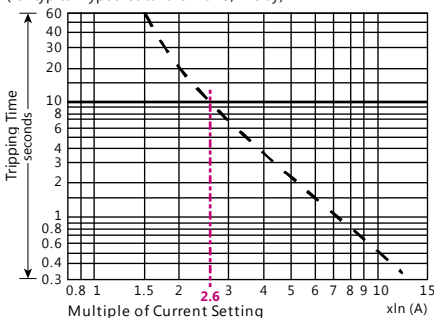
### OVERLOAD RELAY SELECTION PROCEDURE AND EXAMPLE

(For a GS4-4150 drive)

- 1) Select a thermal overload relay based on its overload capability.

Thermal Overload Response Curve

(for typical hypothetical thermal O/L relay)



Standard braking capacity for GS3 and GS4 AC drives is 10% duty cycle (tripping time = 10s). Determine the 10s Overload Capacity (Multiple of Current Setting) for your selected overload relay.

The intersection of the Trip Time (10s) and the Multiple of Current Setting is 2.6 (or 260%) for this example response curve.

The property of each thermal relay may vary by manufacturer, so please read the specifications carefully.

- 2) Use the appropriate AC Drive Braking Component Selection table in this chapter to find the Max Total Brake Current for the motor, drive, and braking components (126A for this example).

GS4 AC DRIVE BRAKING COMPONENT SELECTION													
DRIVE VOLTAGE	MOTOR POWER		125% BRAKING TORQUE @ 10% DUTY CYCLE						MAX BRAKING TORQUE				WIRING DIAG.
	(HP)	(KW)	AC DRIVE MODEL # GS4-	BRAKING UNIT		BRAKING RESISTOR		BRAKE TORQUE (KG-M)	TOTAL BRAKE CURRENT (A)	MIN RESISTOR VALUE (Ω)	MAX TOTAL BRAKE CURRENT (A)	PEAK POWER (KW)	
				QUANTITY	PART # GS-	QUANTITY	PART # GS-BR-						
460V	150	110	4150	1	5DBU	10	1K2W015	74.5	126	6.0	126	95.8	L

- 3) Divide the Max Total Braking Current by the Overload Capacity (126A / 2.6 = 48.46A), and select a thermal O/L relay which has the same or higher rated current. In this case, select a 50A relay.



For wiring information, refer to "Overload Relay" in Chapter 3, page 3-2.

## DYNAMIC BRAKING COMPONENT SELECTION FOR DURAPULSE AC DRIVES

The following table provides the selection information for the *DURAPULSE* dynamic braking units designed for use with GS3 and GS4 series AC drives.

### BRAKING COMPONENT SELECTION FOR GS3 DURAPULSE DRIVES



**NOTE:** For braking resistor compatibility with other Automation Direct VFDs (GS10, GS20, ACN) consult the user manual Appendix A for each VFD. For WEG CFW drives, consult the Automation direct technical pages.

GS3 AC DRIVE BRAKING COMPONENT SELECTION													
DRIVE VOLTAGE	MOTOR POWER		125% BRAKING TORQUE @ 10% DUTY CYCLE***						MAX BRAKING TORQUE			WIRING DIAGRAM **	
			AC DRIVE MODEL #	BRAKING UNIT QUANTITY	PART #	BRAKING RESISTOR QUANTITY	PART #	BRAKE TORQUE	TOTAL BRAKE CURRENT	MIN RESISTOR VALUE	MAX TOTAL BRAKE CURRENT		PEAK POWER
	(HP)	(KW)											
230V	1	0.7	21P0	0	n/a	1	21P0-BR	0.5	1.9	82	4.6	1.8	A
	2	1.5	22P0			1	22P0-BR	1.0	3.8	82	4.6	1.8	
	3	2.2	23P0			1	23P0-BR	1.5	5.4	82	4.6	1.8	
	5	3.7	25P0			1	25P0-BR	2.5	9.5	33	11.5	4.4	
	7.5	5.5	27P5			1	27P5-BR	3.7	12.7	30	12.7	4.8	
	10	7.5	2010			1	2010-BR-ENC	5.1	19.0	20	19.0	7.2	
	15	11	2015			1	2015-BR-ENC	7.5	27.9	13.6	27.9	10.6	
	20	15	2020	1	2DBU	1	2020-BR-ENC	10.2	38.0*	10*	38.0*	14.4*	D
	25	18	2025	1	2DBU	1	2025-BR-ENC	12.2	47.5*	8*	47.5*	18.1*	
	30	22	2030	1	2DBU	1	2030-BR-ENC	14.9	55.9*	6.8*	55.9*	21.2*	
460V	40	30	2040	2	2DBU	2	2040-BR-ENC	20.3	38.0*	10*	38.0*	14.5*	F
	50	37	2050	2	2DBU	2	2050-BR-ENC	25.1	47.5*	8*	47.5*	18.1*	
	1	0.7	41P0	0	n/a	1	41P0-BR	0.5	1.0	160	4.8	3.6	A
	2	1.5	42P0			1	42P0-BR	1.0	1.9	160	4.8	3.6	
	3	2.2	43P0			1	43P0-BR	1.5	3.0	160	4.8	3.6	
	5	3.7	45P0			1	45P0-BR	2.5	5.1	130	5.8	4.4	
	7.5	5.5	47P5			1	47P5-BR	3.7	7.6	91	8.4	6.3	
	10	7.5	4010			1	4010-BR	5.1	10.1	62	12.3	9.3	
	15	11	4015			1	4015-BR-ENC	7.5	15.2	39	19.5	14.8	
	20	15	4020	1	4DBU	1	4020-BR-ENC	10.2	19.0*	40*	19.0*	14.4*	D
25	18	4025	1	4DBU	1	4025-BR-ENC	12.2	23.8*	32*	23.8*	18.1*		
30	22	4030	1	4DBU	1	4030-BR-ENC	14.9	27.9*	27.2*	27.9*	21.2*		
40	30	4040	1	4DBU	1	4040-BR-ENC	20.3	38.0*	20*	38.0*	28.9*	D	
50	40	4050	1	4DBU	1	4050-BR-ENC	25.1	47.5*	16*	47.5*	36.1*		
60	45	4060	1	4DBU	1	4060-BR-ENC	30.5	55.9*	13.6*	55.9*	42.5*	F	
75	55	4075	2	4DBU	2	4075-BR-ENC	37.2	38.0*	20*	38.0*	28.9*		
100	75	4100	2	4DBU	2	4100-BR-ENC	50.8	55.9*	13.6*	55.9*	42.5*		

\* These values are per individual DBU, as seen between DBU terminals B1 and B2.

\*\* Wiring diagrams are shown in Chapter 3: Component Configuration and Wiring.

\*\*\* 10% Duty Cycle with maximum ON (braking) time of 10 seconds.



**BRAKING COMPONENT SELECTION FOR GS4 DURAPULSE DRIVES**

GS4 AC DRIVE BRAKING COMPONENT SELECTION																
DRIVE VOLTAGE	MOTOR POWER		125% BRAKING TORQUE @ 10% DUTY CYCLE***						MAX BRAKING TORQUE			WIRING DIAGRAM				
			AC DRIVE MODEL #	BRAKING UNIT		BRAKING RESISTOR		TOTAL BRAKE CURRENT	MIN RESISTOR VALUE	MAX TOTAL BRAKE CURRENT	PEAK POWER					
	QUANTITY	PART #		QUANTITY	PART #	BRAKE TORQUE	(A)						(Ω)	(A)	(KW)	
(HP)	(KW)	GS4-	GS-	GS-BR-	(KG-M)	(A)	(Ω)	(A)	(KW)							
230V	1	0.7	21P0	0	n/a	1	080W200	0.5	1.9	63.3	6	2.3	A			
	2	1.5	22P0			1	200W091	1.0	4.2	47.5	8	3.0				
	3	2.2	23P0			1	300W070	1.5	5.4	38.0	10	3.8				
	5	3.7	25P0			1	400W040	2.5	9.5	19.0	20	7.6				
	7.5	5.5	27P5			1	1K0W020	3.7	19	14.6	26	9.9				
	10	7.5	2010			1	1K0W020	5.1	19	14.6	26	9.9				
	15	11	2015			1	1K5W013	7.5	29	12.6	28	10.6				
	20	15	2020			2	1K0W4P3	10.2	44	8.3	46	17.5				
	25	18	2025			2	1K0W4P3	12.2	44	8.3	46	17.5				
	30	22	2030			2	1K5W3P3	14.9	58	5.8	66	25.1				
	40	30	2040			2	1DBU	4	1K0W5P1	20.3	75*	4.8*		80*	30.4*	B
	50	37	2050			2	2DBU	4	1K2W3P9	25.1	97*	3.2*		120*	45.6*	
	60	45	2060			2	2DBU	4	1K5W3P3	30.5	118*	3.2*		120*	45.6*	G
	75	55	2075			3	2DBU	6	1K2W3P9	37.2	145*	2.1*		180*	68.4*	
100	75	2100	4	2DBU	8	1K2W3P9	50.8	190*	1.6*	240*	91.2*	J				
460V	1	0.7	41P0	0	n/a	1	080W750	0.5	1	190	4	3.0	K			
	2	1.5	42P0			1	200W360	1	2.1	126.7	6	4.6				
	3	2.2	43P0			1	300W250	1.5	3	108.6	7	5.3				
	5	3.7	45P0			1	400W150	2.5	5.1	84.4	9	6.8				
	7.5	5.5	47P5			1	1K0W075	3.7	10.2	54.3	14	10.6				
	10	7.5	4010			1	1K0W075	5.1	10.2	47.5	16	12.2				
	15	11	4015			1	1K5W043	7.5	17.6	42.2	18	13.7				
	20	15	4020			2	1K0W016	10.2	24	26.2	29	22.0				
	25	18	4025			2	1K0W016	12.2	24	23.0	33	25.1				
	30	22	4030			2	1K5W013	14.9	29	23.0	33	25.1				
	40	30	4040			4	1K0W016	20.3	47.5	14.1	54	41.0				
	50	40	4050			1	4DBU	4	1K2W015	25.1	50*	12.7*		60*	45.6*	A
	60	45	4060			1	4DBU	4	1K5W013	30.5	59*	12.7*		60*	45.6*	
	75	55	4075			2	3DBU	8	1K0W5P1	37.2	76*	9.5*		80*	60.8*	E
	100	75	4100			2	4DBU	8	1K2W015	50.8	100*	6.3*		120*	91.2*	
	125	90	4125			2	4DBU	8	1K5W013	60.9	117*	6.3*		120*	91.2*	H
	150	110	4150			1	5DBU	10	1K2W015	74.5	126*	6.0*		126*	95.8*	
	175	132	4175			1	6DBU	12	1K5W012	89.4	190*	4.0*		190*	144.4*	I
	200	160	4200			1	6DBU	12	1K5W012	108.3	190*	4.0*		190*	144.4*	
	250	185	4250			1	7DBU	14	1K5W012	125.3	225*	3.4*		225*	172.1*	L
300	220	4300	2	5DBU	20	1K2W015	148.9	252*	3.0*	252*	190.5*					

\* These values are per individual DBU, as seen between DBU terminals B1 and B2.

\*\*\* Wiring diagrams are shown in Chapter 3: Component Configuration and Wiring.

\*\*\* 10% Duty Cycle with maximum ON (braking) time of 10 seconds.

## DYNAMIC BRAKING UNIT SPECIFICATIONS

The following table provides the specifications and applications for the *DURAPULSE* dynamic braking units designed for use with GS3 and GS4 series AC drives.

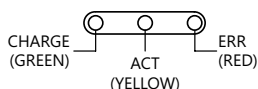
DYNAMIC BRAKING UNIT SPECIFICATIONS								
BRAKING UNIT PART NUMBER	GS-1DBU	GS-2DBU	GS-3DBU	GS-4DBU	GS-5DBU	GS-6DBU	GS-7DBU	
NOMINAL VOLTAGE (VAC)	230			460				
MAX MOTOR CAPACITY (HP/[kW])	20 [15]	30 [22]	40 [30]	60 [45]	150 [110]	200 [160]	250 [185]	
OUTPUT RATING	MAX DISCHARGE CURRENT (A) @ 10% DUTY CYCLE*		40	60	126	190	225	
	CONTINUOUS DISCHARGE CURRENT (A)		15	20	45	50	100	
	BRAKING STARTUP VOLTAGE (VDC)		330/345/360/ 380/400/415 ±3V		660/690/720/ 760/800/830 ±6V		618/642/667/690/ 725/750 ±6V	
	MAXIMUM ON-TIME (s)		10					
INPUT DC VOLTAGE (VDC)	200–415		400–830		400–750			
MIN EQUIVALENT RESISTOR FOR EACH BRAKING UNIT (Ω)	10	6.8	20	13.6	6	4	3.4	
PROTECTION	POWER CHARGE LAMP/LED		Comes ON until DC bus voltage (+P – -N) drops below 50VDC			Comes ON when DC bus voltage (DC+ – DC-) rises above 300VDC. Goes OFF when DC bus voltage (DC+ – DC-) drops below 100VDC.		
	BRAKING ACT LAMP/LED		ON during braking					
	FAULT ERR LAMP		ON if an over-temperature fault has occurred			n/a		
	OVERCURRENT LEVEL LED (A)		n/a			190	290	340
	OVERHEAT LED		n/a			Comes ON > 176°F [80°C]; Goes OFF < 149°F [65°C]		
	HEAT SINK OVERHEAT TEMPERATURE		203°F [95°C]			n/a		
ALARM OUTPUT RELAY CONTACT		5A @ 120VAC/28VDC (RA,RB,RC)			3A @ 250VAC/28VDC (RA,RC)			
ENVIRONMENT	INSTALLATION LOCATION		indoor (no corrosive gases; no metallic dust)					
	OPERATING TEMPERATURE		14°F to 122 °F [-10 to +50 °C]					
	STORAGE TEMPERATURE		-4 to +140 °F [-20 to +60 °C]					
	HUMIDITY		less than 90% RH, non-condensing					
VIBRATION		9.8 m/s <sup>2</sup> [1G] under 20Hz ; 2m/s <sup>2</sup> [0.2G] at 20–50 Hz						
MECHANICAL CONFIGURATION		IP50 wall-mount enclosed			IP10 wall-mount enclosed			

\* 10% Duty Cycle with maximum ON (braking) time of 10 seconds

### LAMP/LED INDICATORS FOR DYNAMIC BRAKING UNITS

GS-1DBU, GS-2DBU, GS-3DBU, GS-4DBU

GS-5DBU, GS-6DBU, GS-7DBU



See “[DBU Jumper and Wiring Terminal Locations](#)” in Chapter 3 for locations of indicators.

**DYNAMIC BRAKING RESISTORS SPECIFICATIONS**

<b>BRAKING RESISTOR SPECIFICATIONS</b>					
<b>PART NUMBER</b>	<b>POWER (W)</b>	<b>RESISTANCE (<math>\Omega</math>)</b>	<b>TYPE</b>	<b>DIMENSION DRAWING # (SEE CHAPTER 2)</b>	
<i>GS-20P5-BR</i>	80	200	open	1	
<i>GS-21P0-BR</i>	80	200		1	
<i>GS-22P0-BR</i>	300	100		1	
<i>GS-23P0-BR</i>	300	70		1	
<i>GS-25P0-BR</i>	400	40		1	
<i>GS-27P5-BR</i>	500	30		2	
<i>GS-2010-BR-ENC</i>	1000	20	enclosed	4	
<i>GS-2015-BR-ENC</i>	2400	13.6		5	
<i>GS-2020-BR-ENC</i>	3000	10		5	
<i>GS-2025-BR-ENC</i>	4800	8		6	
<i>GS-2030-BR-ENC</i>	4800	6.8		6	
<i>GS-2040-BR-ENC</i>	3000	10		5	
<i>GS-2050-BR-ENC</i>	4800	8		6	
<i>GS-41P0-BR</i>	80	750	open	1	
<i>GS-42P0-BR</i>	300	400		1	
<i>GS-43P0-BR</i>	300	250		1	
<i>GS-45P0-BR</i>	400	150		1	
<i>GS-47P5-BR</i>	500	100		2	
<i>GS-4010-BR</i>	1000	75		3	
<i>GS-4015-BR-ENC</i>	1000	50	enclosed	4	
<i>GS-4020-BR-ENC</i>	1500	40		7	
<i>GS-4025-BR-ENC</i>	4800	32		8	
<i>GS-4030-BR-ENC</i>	4800	27.2		8	
<i>GS-4040-BR-ENC</i>	6000	20		8	
<i>GS-4050-BR-ENC</i>	9600	16		9	
<i>GS-4060-BR-ENC</i>	9600	13.6		9	
<i>GS-4075-BR-ENC</i>	6000	20		8	
<i>GS-4100-BR-ENC</i>	9600	13.6		9	
<i>GS-BR-080W200</i>	80	200		open	10
<i>GS-BR-080W750</i>	80	750			10
<i>GS-BR-200W091</i>	200	91	10		
<i>GS-BR-200W360</i>	200	360	10		
<i>GS-BR-300W070</i>	300	70	10		
<i>GS-BR-300W250</i>	300	250	10		
<i>GS-BR-300W400</i>	300	400	10		
<i>GS-BR-400W040</i>	400	40	10		
<i>GS-BR-400W150</i>	400	150	10		
<i>GS-BR-500W100</i>	500	100	2		
<i>GS-BR-750W140</i>	750	140	12		

<b>BRAKING RESISTOR SPECIFICATIONS (CONTINUED)</b>				
<b>PART NUMBER</b>	<b>POWER (W)</b>	<b>RESISTANCE (<math>\Omega</math>)</b>	<b>TYPE</b>	<b>DIMENSION DRAWING # (SEE CHAPTER 2)</b>
<i>GS-BR-1K0W4P3</i>	1000	4.3	open	11
<i>GS-BR-1K0W5P1</i>	1000	5.1		11
<i>GS-BR-1K0W016</i>	1000	16		11
<i>GS-BR-1K0W020</i>	1000	20		11
<i>GS-BR-1K0W075</i>	1000	75		11
<i>GS-BR-1K2W3P9</i>	1200	3.9		11
<i>GS-BR-1K2W015</i>	1200	15		11
<i>GS-BR-1K5W3P3</i>	1500	3.3		11
<i>GS-BR-1K5W012</i>	1500	12		11
<i>GS-BR-1K5W013</i>	1500	13		11
<i>GS-BR-1K5W043</i>	1500	43		11



## CHAPTER 2

# BRAKING COMPONENT INSTALLATION AND DIMENSIONS

---

### TABLE OF CONTENTS

<i>Installation</i> . . . . .	2-2
<i>General Installation Guidelines</i> . . . . .	2-2
<i>Minimum Clearances and Air Flow</i> . . . . .	2-2
<i>Braking Unit Dimensions</i> . . . . .	2-4
<i>Braking Resistor Dimensions</i> . . . . .	2-5

## INSTALLATION

### GENERAL INSTALLATION GUIDELINES

Improper installation of the dynamic brake unit will greatly reduce its life. Be sure to observe the following precautions when selecting a mounting location.



**WARNING: FAILURE TO OBSERVE THESE PRECAUTIONS MAY DAMAGE THE UNIT AND VOID THE WARRANTY!**

- Do not mount the dynamic brake unit near heat-radiating elements or in direct sunlight.
- Do not install the dynamic brake unit in a place subjected to high temperatures, high humidity, excessive vibration, corrosive gasses or liquids, or airborne dust or metallic particles.
- Mount the dynamic brake unit vertically and do not restrict the air flow to the heat sink fins.



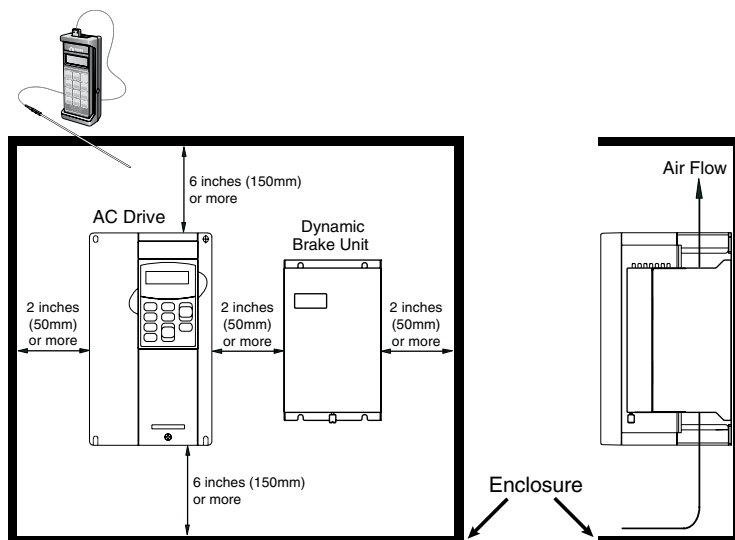
**WARNING: THE DYNAMIC BRAKE UNIT AND BRAKING RESISTORS GENERATE LARGE AMOUNTS OF HEAT WHICH MAY DAMAGE THE BRAKING UNIT, RESISTORS, OR ANY EQUIPMENT MOUNTED IN THE SAME ENCLOSURE AS THE HEAT PRODUCING DEVICES. AUXILIARY COOLING METHODS ARE TYPICALLY REQUIRED SO AS NOT TO EXCEED MAXIMUM AMBIENT TEMPERATURES, ESPECIALLY IF FREQUENT DECELERATION BRAKING IS PERFORMED (OVER 10% DUTY CYCLE).**



**WARNING: FLAMMABLE SOLIDS, GASES, OR LIQUIDS MUST BE AVOIDED AT LOCATIONS WHERE BRAKING RESISTORS ARE INSTALLED. IDEALLY, BRAKING RESISTORS SHOULD BE INSTALLED IN INDIVIDUAL METALLIC BOXES WITH FORCED AIR-COOLING.**

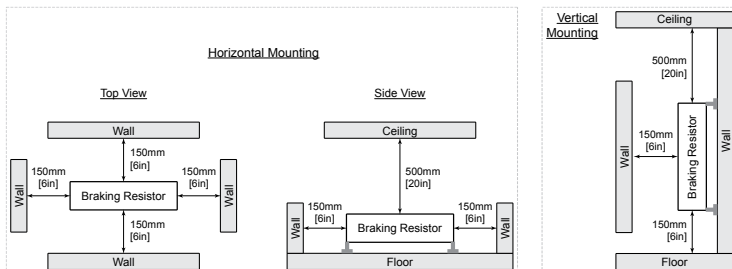
### MINIMUM CLEARANCES AND AIR FLOW

#### Minimum Clearances for Drives and Dynamic Braking Units

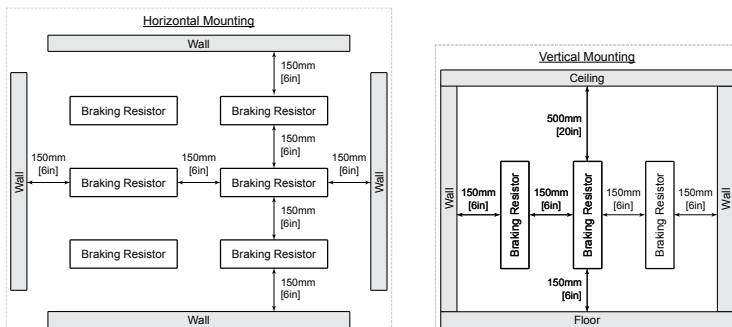


**Minimum Clearances for Braking Resistors**

**Mounting Individual Resistors**

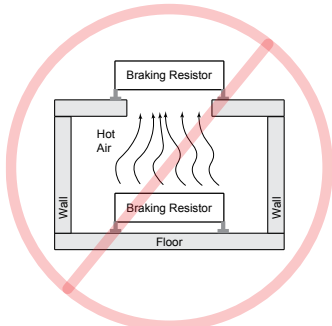


**Mounting Multiple Resistors**

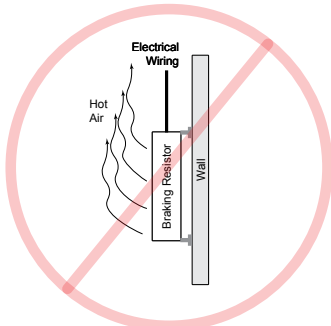


**Do NOT Mount Heat-Producing or Heat-Sensitive Items Above Braking Resistors**

*Do NOT mount one resistor above another one!*

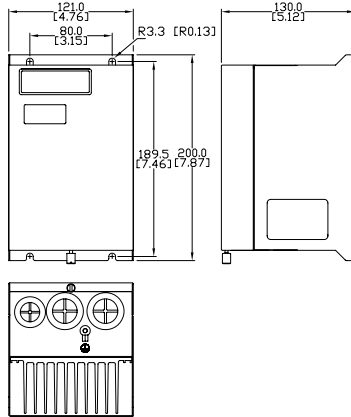


*Do NOT run electrical wiring above a resistor!*

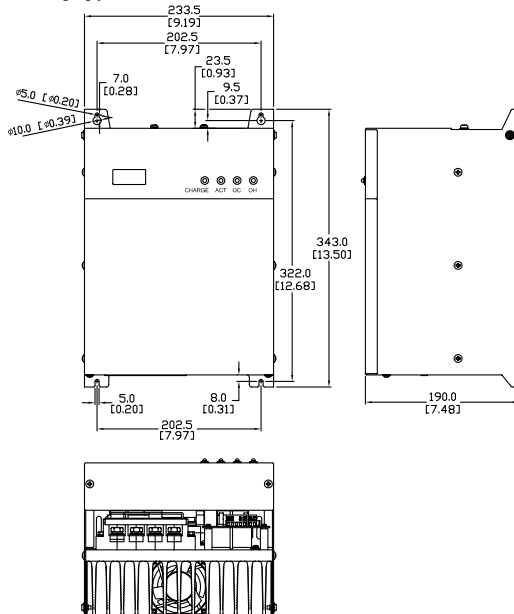


**BRAKING UNIT DIMENSIONS**

**A) DBU ≤ 100hp (GS-1DBU, GS-2DBU, GS-3DBU, GS-4DBU)**  
 ( Dimensions = mm [in] )



**B) DBU > 100hp (GS-5DBU, GS-6DBU, GS-7DBU)**  
 ( Dimensions = mm [in] )

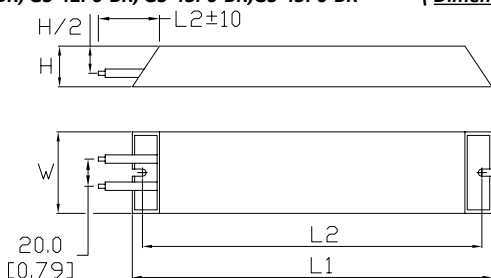




**BRAKING RESISTOR DIMENSIONS**

BRAKING RESISTOR DIMENSION DRAWING INDEX							
RESISTOR	#	RESISTOR	#	RESISTOR	#	RESISTOR	#
GS-20P5-BR	1	GS-41P0-BR	1	GS-BR-080W200	10	GS-BR-1K0W4P3	11
GS-21P0-BR	1	GS-42P0-BR	1	GS-BR-080W750	10	GS-BR-1K0W5P1	11
GS-22P0-BR	1	GS-43P0-BR	1	GS-BR-200W091	10	GS-BR-1K0W016	11
GS-23P0-BR	1	GS-45P0-BR	1	GS-BR-200W360	10	GS-BR-1K0W020	11
GS-25P0-BR	1	GS-47P5-BR	2	GS-BR-300W070	10	GS-BR-1K0W075	11
GS-27P5-BR	2	GS-4010-BR	3	GS-BR-300W250	10	GS-BR-1K2W3P9	11
GS-2010-BR-ENC	4	GS-4015-BR-ENC	4	GS-BR-300W400	10	GS-BR-1K2W015	11
GS-2015-BR-ENC	5	GS-4020-BR-ENC	7	GS-BR-400W040	10	GS-BR-1K5W3P3	11
GS-2020-BR-ENC	5	GS-4025-BR-ENC	8	GS-BR-400W150	10	GS-BR-1K5W012	11
GS-2025-BR-ENC	6	GS-4030-BR-ENC	8	GS-BR-500W100	2	GS-BR-1K5W013	11
GS-2030-BR-ENC	6	GS-4040-BR-ENC	8	GS-BR-750W140	12	GS-BR-1K5W043	11
GS-2040-BR-ENC	5	GS-4050-BR-ENC	9				
GS-2050-BR-ENC	6	GS-4060-BR-ENC	9				
		GS-4075-BR-ENC	8				
		GS-4100-BR-ENC	9				

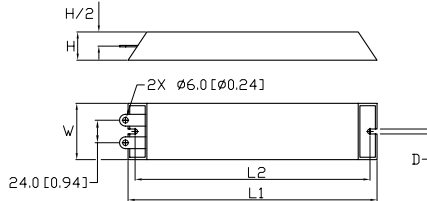
#1) GS-20P5-BR, GS-21P0-BR, GS-22P0-BR, GS-23P0-BR, GS-25P0-BR, GS-41P0-BR, GS-42P0-BR, GS-43P0-BR, GS-45P0-BR (Dimensions = mm [in])



RESISTOR #	L1	L2	H	D	W
GS-20P5-BR	140 [5.51]	125 [4.92]	20 [0.79]	5.3 [0.21]	40 [1.57]
GS-21P0-BR	215 [8.46]	200 [7.87]	30 [1.18]		60 [2.36]
GS-23P0-BR					60 [2.36]
GS-25P0-BR	265 [10.43]	250 [9.84]	20 [0.79]		40 [1.57]
GS-41P0-BR	215 [8.46]	200 [7.87]	30 [1.18]		60 [2.36]
GS-42P0-BR					
GS-43P0-BR	265 [10.43]	250 [9.84]	30 [1.18]		60 [2.36]
GS-45P0-BR					

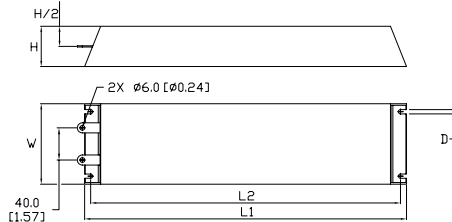
**Braking Resistor Dimensions (continued)**

**#2) GS-27P5-BR, GS-47P5-BR (Dimensions = mm [in])**



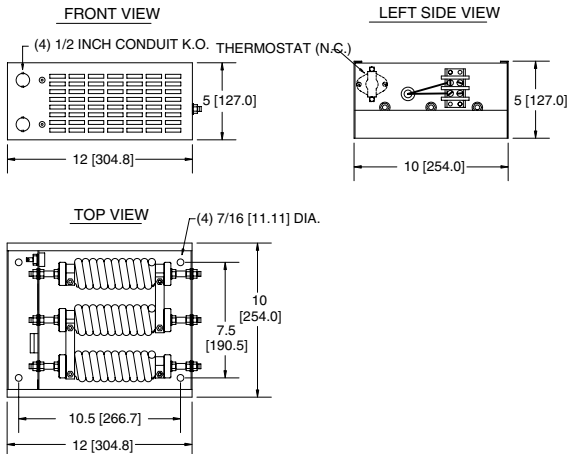
	L1	L2	H	D	W
GS-27P5-BR GS-47P5-BR GS-BR-500W100	335 [13.19]	320 [12.60]	30 [1.18]	5.3 [0.21]	60 [2.36]

**#3) GS-4010-BR (Dimensions = mm [in])**



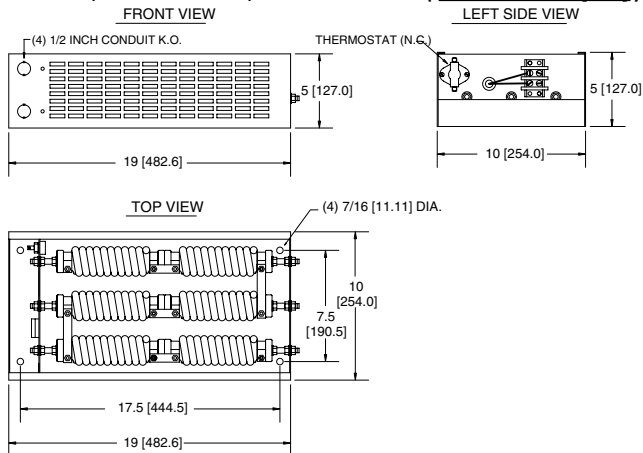
	L1	L2	H	D	W
GS-4010-BR	400 [15.75]	385 [15.16]	50 [1.97]	5.3 [0.21]	100 [3.94]

**#4) GS-2010-BR-ENC, GS-4015-BR-ENC (Dimensions = in [mm])**

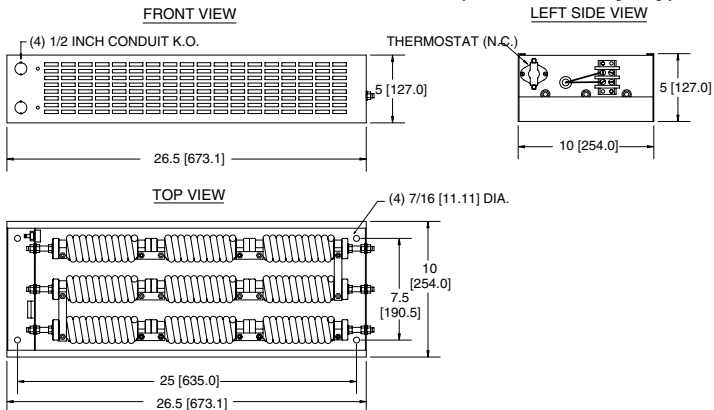


**Braking Resistor Dimensions (continued)**

**#5) GS-2015-BR-ENC, GS-2020-BR-ENC, GS-2040-BR-ENC (Dimensions = in [mm])**

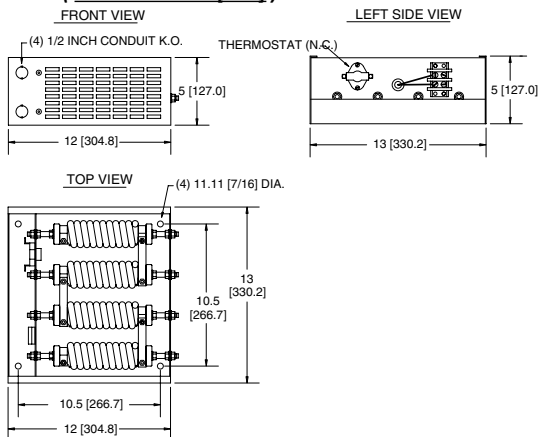


**#6) GS-2025-BR-ENC, GS-2030-BR-ENC, GS-2050-BR-ENC (Dimensions = in [mm])**

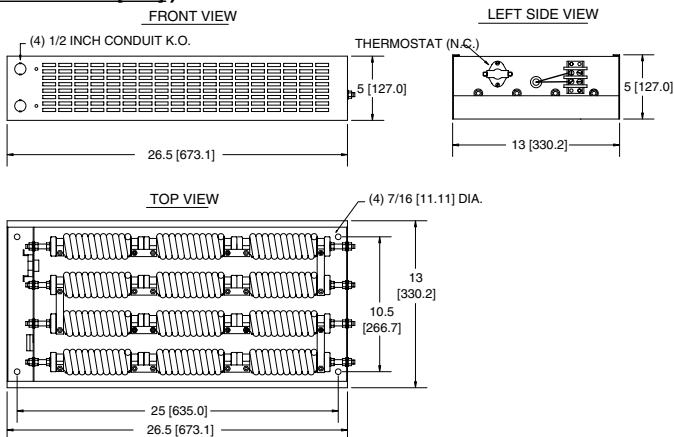


### Braking Resistor Dimensions (continued)

#### #7) GS-4020-BR-ENC (Dimensions = in [mm])

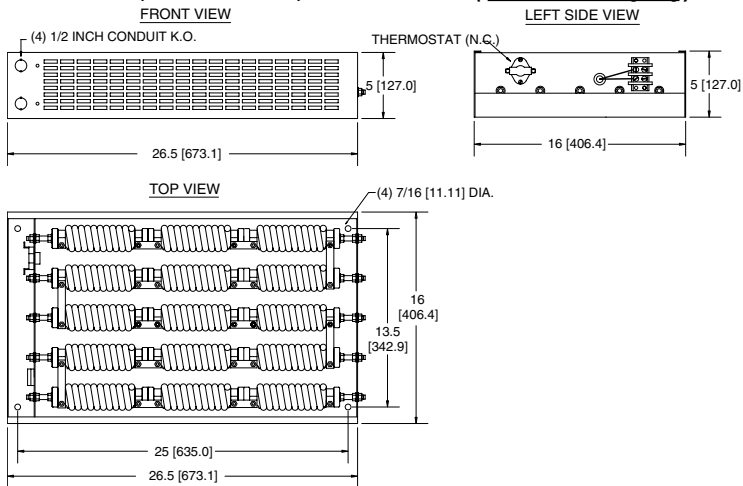


#### #8) GS-4025-BR-ENC, GS-4030-BR-ENC, GS-4040-BR-ENC, GS-4075-BR-ENC (Dimensions = in [mm])

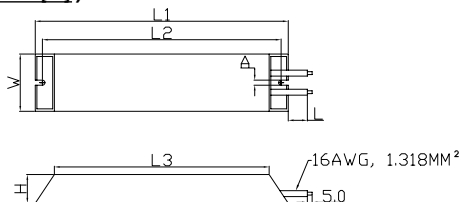


**Braking Resistor Dimensions (continued)**

**#9) GS-4050-BR-ENC, GS-4060-BR-ENC, GS-4100-BR-ENC (Dimensions = in [mm])**



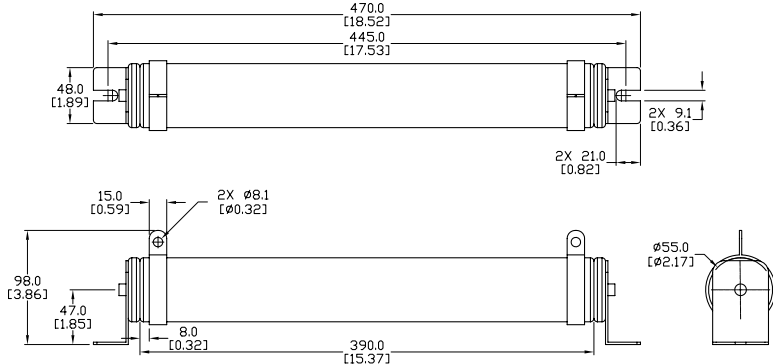
**#10) GS-BR-080W200, GS-BR-080W750, GS-BR-200W091, GS-BR-200W360, GS-BR-300W070, GS-BR-300W250, GS-BR-400W040, GS-BR-400W150 (Dimensions = mm [in])**



RESISTOR #	L1	L2	L3	W	H	A	L
GS-BR-080W200	140	125	100	40.0	20.0	5.3 [0.21]	200 [7.87]
GS-BR-080W750	[5.51]	[4.92]	[3.94]	[1.57]	[0.79]		
GS-BR-200W091	165	150	125	60.0	30.0	5.3 [0.21]	200 [7.87]
GS-BR-200W360	[6.50]	[5.91]	[4.92]				
GS-BR-300W070	215	200	175	60.0	30.0	5.3 [0.21]	200 [7.87]
GS-BR-300W250	[8.46]	[7.87]	[6.89]				
GS-BR-300W400	215	200	175	60.0	30.0	5.3 [0.21]	200 [7.87]
GS-BR-400W040	[8.46]	[7.87]	[6.89]				
GS-BR-400W040	265.34	250	225	60.0	30.0	5.3 [0.21]	200 [7.87]
GS-BR-400W150	[10.43]	[9.84]	[8.86]				

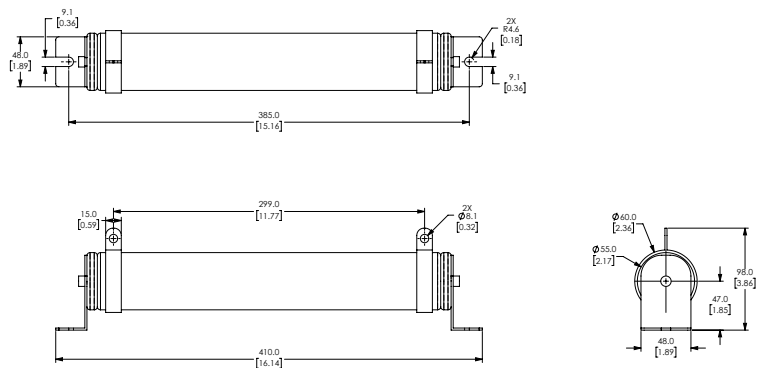
### Braking Resistor Dimensions (continued)

- #11) GS-BR-1K0W4P3, GS-BR-1K0W5P1, GS-BR-1K0W016, GS-BR-1K0W020, GS-BR-1K0W075, GS-BR-1K2W3P9, GS-BR-1K2W015, GS-BR-1K5W3P3, GS-BR-1K5W012, GS-BR-1K5W013, GS-BR-1K5W043** (Dimensions = mm [in])



- #12) GS-BR-750W140**

(Dimensions = mm [in])





# CHAPTER 3

## BRAKING COMPONENT CONFIGURATION AND WIRING

---

### TABLE OF CONTENTS

<i>Operational Electrical Information . . . . .</i>	<i>3-2</i>
<i>Overload Relay . . . . .</i>	<i>3-2</i>
<i>Dynamic Braking Unit Setup . . . . .</i>	<i>3-3</i>
<i>DBU Jumper and Wiring Terminal Locations . . . . .</i>	<i>3-3</i>
<i>DBU Voltage Jumper Settings . . . . .</i>	<i>3-4</i>
<i>DBU Master/Slave Jumper Settings. . . . .</i>	<i>3-5</i>
<i>Dynamic Braking Wiring. . . . .</i>	<i>3-6</i>
<i>Wiring Warnings and Notes. . . . .</i>	<i>3-6</i>
<i>Maximum Wiring Distances. . . . .</i>	<i>3-7</i>
<i>Dynamic Braking Unit Wiring Terminals. . . . .</i>	<i>3-7</i>
<i>Basic Braking Wiring Diagram. . . . .</i>	<i>3-9</i>
<i>Specific Braking Wiring Diagrams. . . . .</i>	<i>3-10</i>

## OPERATIONAL ELECTRICAL INFORMATION

The *DURAPULSE* AC Drive and Dynamic Braking Unit will both be energized at the same time when power is applied to the drive. (Please refer to the applicable *DURAPULSE* AC Drive User Manual (GS3\_UMW or GS4\_UMW) to determine the start and stop operation of the motor.) The Dynamic Braking Unit will monitor the internal DC bus voltage of the AC drive. When the AC drive stops the motor by decelerating, the braking unit will detect an increase in the drive's DC bus voltage due to the motor causing regeneration. The braking unit will then dissipate this excess energy into the braking resistor in the form of heat. Dissipating this regenerated energy will allow a stable and controlled deceleration of the motor.

The alarm relay output contact terminals (RC, RA, & RB) of the dynamic braking unit will be activated when the temperature of the braking unit heat sink exceeds 203°F (95°C) for DBUs ≤ 100hp, or 176°F (80°C) for DBUs > 100hp. This condition can be caused by the ambient temperature surrounding the braking unit exceeding 50°C (122°F), or by the Duty Cycle exceeding 10%. If this high ambient temperature situation exists, then a method of reducing the ambient temperature by the use of forced air cooling or some other means should be considered.

If the resistor does not have a temperature switch, install an overload relay between the DBU and the resistor.

## OVERLOAD RELAY

For safety purposes, install an external overload relay between the dynamic braking unit and the braking resistor. Wire the overload relay normally closed contact in series with the coil of a magnetic contactor to interrupt the power to the AC drive.

The purpose of installing the thermal overload relay is to protect the braking resistor from damage due to frequent braking, or due to the braking unit operating excessively due to unusually high input voltage.



---

*For overload relay selection information, refer to “Overload Relay Selection” in Chapter 1, page 1-5.*

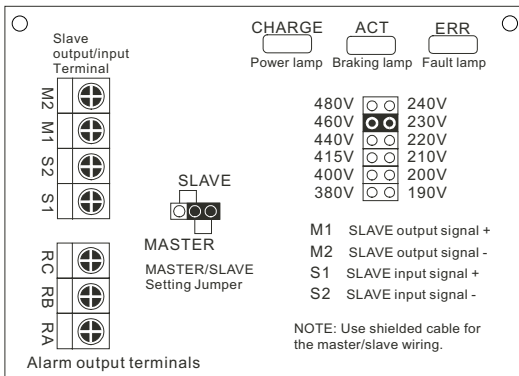
---



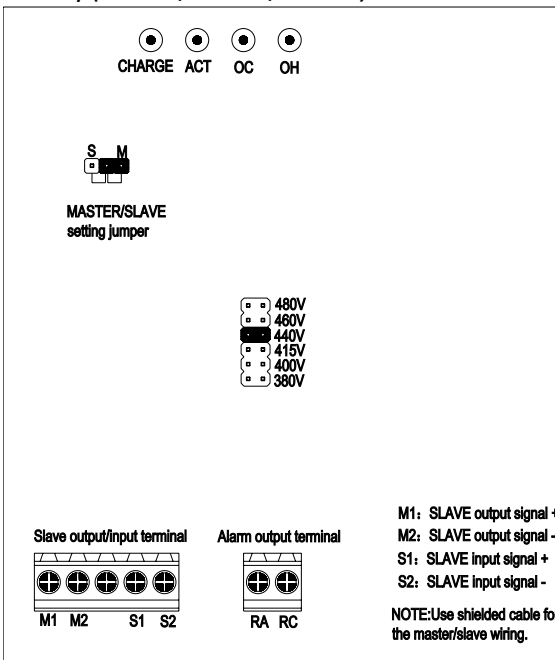
## DYNAMIC BRAKING UNIT SETUP

### DBU JUMPER AND WIRING TERMINAL LOCATIONS

DBU ≤ 100hp (GS-1DBU, GS-2DBU, GS-3DBU, GS-4DBU)



DBU > 100hp (GS-5DBU, GS-6DBU, GS-7DBU)



### DBU VOLTAGE JUMPER SETTINGS

The power source for the *DURApulse* dynamic braking unit is DC bus voltage from the +(P) and -(N) terminals of the GS drive. It is important to set the voltage selection jumper of the *DURApulse* dynamic braking unit accurately based on the input power of the GS drive before operation. The voltage selection jumper setting determines the GS DC bus voltage level at which dynamic braking is applied.

*BEFORE SETTING THE VOLTAGE SELECTION JUMPER, MAKE SURE THE POWER HAS BEEN TURNED OFF. SET THE JUMPER TO MATCH THE HIGHEST POSSIBLE VOLTAGE FOR AN UNSTABLE POWER SYSTEM.*

*EXAMPLE: A 380VAC POWER SYSTEM RISES TO 410VAC ON A REGULAR BASIS. TO AVOID ENGAGING DYNAMIC BRAKING WHEN THE POWER SUPPLY VOLTAGE RISES ABOVE 380VAC, SET THE VOLTAGE SELECTION JUMPER TO THE 415VAC POSITION.*



For *DURApulse* AC drives, set the “Over Voltage Stall Prevention” parameter as “close (1)” to disable over-voltage stall prevention (P6.05 in GS3; P6.11 in GS4). This will ensure a stable deceleration characteristic.

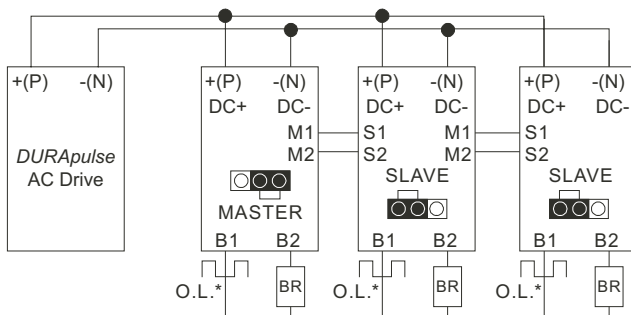
BRAKING UNIT VOLTAGE SETTINGS					
MODELS ≤ 100HP (GS-1DBU, GS-2DBU, GS-3DBU, GS-4DBU)				MODELS > 100HP (GS-5DBU, GS-6DBU, GS-7DBU)	
230VAC CLASS		460VAC CLASS		460VAC CLASS	
AC POWER VOLTAGE	BRAKING START-UP VOLTAGE DC Bus (+(P), -(N)) VOLTAGE	AC POWER VOLTAGE	BRAKING START-UP VOLTAGE DC Bus (+(P), -(N)) VOLTAGE	AC POWER VOLTAGE	BRAKING START-UP VOLTAGE DC Bus (DC+,DC-) VOLTAGE
190 VAC	330 VDC	380 VAC	660 VDC	380 VAC	618 VDC
200 VAC	345 VDC	400 VAC	690 VDC	400 VAC	642 VDC
210 VAC	360 VDC	415 VAC	720 VDC	415 VAC	667 VDC
220 VAC	380 VDC	440 VAC	760 VDC	440 VAC	690 VDC
230 VAC	400 VDC	460 VAC	800 VDC	460 VAC	725 VDC
240 VAC	415 VDC	480 VAC	830 VDC	480 VAC	750 VDC

NOTE: Input Power With Tolerance ±10%

### DBU MASTER/SLAVE JUMPER SETTINGS

The MASTER/SLAVE jumper on the *DURAPULSE* dynamic braking unit has a factory default setting as a MASTER. If the application of the *DURAPULSE* AC drive requires the use of more than one DBU, then the power terminals of the multiple units are wired in parallel and the first unit is set to MASTER while all remaining units are set to SLAVE. The jumper settings along with the wiring between the MASTER/SLAVE (M1, M2, S1 & S2) terminals allows the multiple braking units to synchronize the power dissipation between braking units. This assures each unit is dissipating an equivalent amount of energy to allow rapid deceleration of the motor.

*Typical one-line wiring diagram for multiple parallel DURAPULSE dynamic braking units. The first DBU has the jumper set to MASTER, while the remaining DBUs are set to SLAVE. (DBU ≤ 100hp have terminals +(P) & -(N); DBU > 100hp have terminals DC+ & DC-)*



\* Although it is recommended, the use of a thermal overload relay in line with the braking resistor is not required. GS-xxxx-BR-ENC braking resistors include a thermostat for thermal protection of the braking resistor, and are the preferred method of protection when available. Orient the braking resistors such that the thermostat is above the resistors in the enclosure, as this will ensure that the thermostat is exposed to the rising air temperature produced by the resistors. Refer to the “Basic Braking Wiring Diagram” on page 3-9 for details.

## DYNAMIC BRAKING WIRING

### WIRING WARNINGS AND NOTES



*DO NOT PROCEED WITH ANY WIRING WHILE POWER IS APPLIED TO THE CIRCUIT, OR WHILE THE DRIVE OR DBU CHARGE LED(s) ARE ON.*



*TO PREVENT PERSONAL INJURY, DO NOT CONNECT/DISCONNECT WIRES OR REGULATE THE SETTING OF THE BRAKING UNIT WHILE POWER ON. DO NOT TOUCH THE TERMINALS OF RELATED WIRING AND ANY COMPONENT ON PCB LEST USERS BE INJURED BY EXTREMELY DANGEROUS DC HIGH VOLTAGE.*



*CONFIRM THAT THE +(P) AND -(N) TERMINALS OF THE DURAPULSE AC DRIVE ARE PROPERLY CONNECTED TO THE DURAPULSE DYNAMIC BRAKING UNIT WITH THE CORRECT POLARITY BEFORE APPLYING POWER. OTHERWISE, THE DRIVE AND THE BRAKING UNIT COULD BE DAMAGED.*



*CONNECT THE BRAKING UNIT GROUND TERMINAL TO EARTH GROUND. THE GROUND LEAD MUST BE THE SAME GAUGE WIRE OR LARGER THAN LEADS +(P) AND -(N) OR DC+ AND DC-.*



*DO NOT WIRE TERMINALS -(N) OR DC- TO THE NEUTRAL POINT OF THE POWER SYSTEM.*



*DURING BRAKING, THE WIRES CONNECTED TO +(P), -(N), DC+, DC-, B1, AND B2 GENERATE POWERFUL ELECTROMAGNETIC FIELDS DUE TO HIGH CURRENT PASSING THROUGH. SEPARATE THESE WIRES FROM OTHER LOW VOLTAGE CONTROL CIRCUITS TO PREVENT ELECTRICAL INTERFERENCE OR IMPROPER OPERATION.*



*BEFORE WIRING THE RESISTOR(S) TO THE DYNAMIC BRAKING UNIT(S), CHECK THE MIN. RESISTOR VALUES SHOWN IN THE BRAKING COMPONENT SELECTION TABLES IN CH.1 OF THIS USER MANUAL, AND MAKE SURE THE ACTUAL RESISTANCE IS NO LESS THAN THIS VALUE. DAMAGE TO THE DYNAMIC BRAKING UNIT AND/OR RESISTORS AND OTHER EQUIPMENT CAN RESULT IF THE WRONG RESISTANCE VALUE IS USED.*



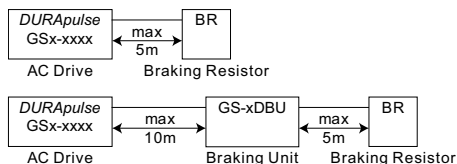
*FOR SAFETY PURPOSES, INSTALL AN OVERLOAD RELAY BETWEEN THE DYNAMIC BRAKING UNIT AND THE BRAKING RESISTOR. WIRE THE OVERLOAD RELAY NORMALLY CLOSED CONTACT IN SERIES WITH THE COIL OF A MAGNETIC CONTACTOR TO INTERRUPT THE POWER TO THE AC DRIVE TO PREVENT DAMAGE TO THE BRAKING RESISTOR IN THE CASE OF EXCESSIVE BRAKING OR UNUSUALLY HIGH INPUT VOLTAGE.*

### MAXIMUM WIRING DISTANCES



WIRE SIZES AND WIRING DISTANCES MUST COMPLY WITH APPLICABLE ELECTRICAL CODES.

- From DURApulse AC Drive (GSx-xxxx) to Braking Resistor (GS-BR-xxxxxxx): 5m [16ft]
- From DURApulse AC Drive (GSx-xxxx) to DURApulse Dynamic Braking Unit (GS-xDBU): 10m [33ft]
- From DURApulse Dynamic Braking Unit (GS-xDBU) to Braking Resistor (GS-BR-xxxxxxx): 5m [16ft]



### DYNAMIC BRAKING UNIT WIRING TERMINALS



WIRE SIZES AND WIRING DISTANCES MUST COMPLY WITH APPLICABLE ELECTRICAL CODES.



Ring terminals are recommended to be used for main circuit wiring. Make sure the terminals are fastened before power is applied.

#### Ring Terminals

Ring terminals are not required by UL, but they can be used according to the UL conditions of acceptability.

#### UL Conditions of Acceptability

For use only in Industrial Control Equipment where the acceptability is determined by Underwriters Laboratories Inc.

This component controller has been judged on the basis of the required spacings in the Standard for Power Conversion Equipment, UL 508C, Pollution Degree 2.

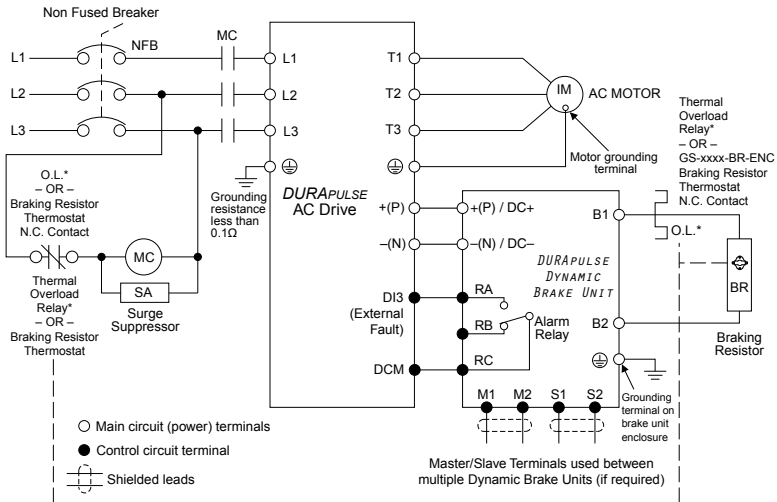
The following shall be considered in the final application:

- 1) Terminals are acceptable for factory or field wiring.
- 2) Device shall be installed in a suitable enclosure.
- 3) Failure mode testing of the voltage sensing circuit, which could result in operation of the DC bus input at transient voltages higher than 800VDC during motor regeneration, was not performed.
- 4) These devices should be mounted and used according to the manufacturer's directions and specifications with regard to compatibility with drive type (see Ratings Section) and braking resistor specification.
- 5) The manufacturer should provide in the end product all literature designating use of the devices as described in Condition of Acceptability 4) above.
- 6) Temperature testing was performed in a 150% outer enclosure and results found acceptable for use in 25°C ambient outside of the 150% outer enclosure. Use at elevated ambients with other enclosure configurations will require heat testing with the actual intended enclosure and the elevated ambient.

### DBU Wiring Terminal Specifications

<b>BRAKING UNIT WIRING TERMINAL SPECIFICATIONS</b>					
<b>BRAKING UNIT MODELS: GS-1DBU, GS-2DBU, GS-3DBU, GS-4DBU</b>					
<b>CIRCUIT</b>	<b>TERMINAL MARK</b>		<b>WIRE SIZE</b>	<b>SCREW</b>	<b>TORQUE</b>
Power Input Circuit	+(P), -(N)		10–12 AWG [3.5–5.5 mm <sup>2</sup> ]	M4	15.6 in·lb [18 kg·cm]
Braking Resistor	B1, B2		10–12 AWG [3.5–5.5 mm <sup>2</sup> ]	M4	15.6 in·lb [18 kg·cm]
Slave Circuit	Output	M1, M2	18–20 AWG [0.8–0.5 mm <sup>2</sup> ] (with shielded wires)	M2	3 in·lb [4 kg·cm]
	Input	S1, S2			
Fault Circuit	RA, RB, RC		18–20 AWG [0.8–0.5 mm <sup>2</sup> ]	M2	3 in·lb [4 kg·cm]
<b>BRAKING UNIT MODELS: GS-5DBU, GS-6DBU, GS-7DBU</b>					
<b>CIRCUIT</b>	<b>TERMINAL MARK</b>		<b>WIRE SIZE</b>	<b>SCREW</b>	<b>TORQUE</b>
Power Input Circuit	DC+, DC-		4–6 AWG [21.2–13.3 mm <sup>2</sup> ]	M8	26 in·lb [30 kg·cm]
Braking Resistor	B1, B2		4–6 AWG [21.2–13.3 mm <sup>2</sup> ]	M8	26 in·lb [30 kg·cm]
Slave Circuit	Output	M1, M2	18–20 AWG [0.8–0.5 mm <sup>2</sup> ] (with shielded wires)	M2	3 in·lb [4 kg·cm]
	Input	S1, S2			
Fault Circuit	RA, RC		18–20 AWG [0.8–0.5 mm <sup>2</sup> ]	M2	3 in·lb [4 kg·cm]

**BASIC BRAKING WIRING DIAGRAM**



\* Although it is recommended, the use of a thermal overload relay in line with the braking resistor is not required. GS-xxxx-BR-ENC braking resistors include a thermostat for thermal protection of the braking resistor, and are the preferred method of protection when available. Orient the braking resistors such that the thermostat is above the resistors in the enclosure, as this will ensure that the thermostat is exposed to the rising air temperature produced by the resistors.



*Smaller-capacity DURApulse AC Drives can connect directly to braking resistors, and do not require Dynamic Braking Units for braking. Refer to the “Dynamic Braking Component Selection” section of Chapter 1 to determine which braking components are required for each drive.*



*Although it is recommended, the use of a thermal overload relay in line with the braking resistor is not required. GS-xxxx-BR-ENC braking resistors include a thermostat for thermal protection of the braking resistor, and are the preferred method of protection when available. Orient the braking resistors such that the thermostat is above the resistors in the enclosure, as this will ensure that the thermostat is exposed to the rising air temperature produced by the resistors.*



*For overload relay information, Refer to the “Overload Relay” section at the beginning of this chapter.*

**SPECIFIC BRAKING WIRING DIAGRAMS**
**Wiring Diagram Index for GS3 Drives**

GS3 AC DRIVE BRAKING WIRING DIAGRAM INDEX															
230VAC DRIVE AND MOTOR VOLTAGE						460VAC DRIVE AND MOTOR VOLTAGE									
MOTOR POWER		AC DRIVE	BRAKING UNIT		BRAKING RESISTOR		WIRING DIAGRAM	MOTOR POWER		AC DRIVE	BRAKING UNIT		BRAKING RESISTOR		WIRING DIAGRAM
(HP)	(KW)	PART #	QUANTITY	PART #	QUANTITY	PART #		(HP)	(KW)	PART #	QUANTITY	PART #	QUANTITY	PART #	
		GS3-	GS-	GS-	GS-	GS-				GS3-	GS-	GS-	GS-	GS-	
1	0.7	21P0			1	21P0-BR	A	1	0.7	41P0			1	41P0-BR	A
2	1.5	22P0			1	22P0-BR		2	1.5	42P0			1	42P0-BR	
3	2.2	23P0			1	23P0-BR		3	2.2	43P0			1	43P0-BR	
5	3.7	25P0	0	n/a	1	25P0-BR		5	3.7	45P0	0	n/a	1	45P0-BR	
7.5	5.5	27P5			1	27P5-BR		7.5	5.5	47P5			1	47P5-BR	
10	7.5	2010			1	2010-BR-ENC		10	7.5	4010			1	4010-BR	
15	11	2015			1	2015-BR-ENC		15	11	4015			1	4015-BR-ENC	
20	15	2020	1	2DBU	1	2020-BR-ENC	D	20	15	4020	1	4DBU	1	4020-BR-ENC	D
25	18	2025	1	2DBU	1	2025-BR-ENC		25	18	4025	1	4DBU	1	4025-BR-ENC	
30	22	2030	1	2DBU	1	2030-BR-ENC		30	22	4030	1	4DBU	1	4030-BR-ENC	
40	30	2040	2	2DBU	2	2040-BR-ENC	F	40	30	4040	1	4DBU	1	4040-BR-ENC	D
50	37	2050	2	2DBU	2	2050-BR-ENC		50	40	4050	1	4DBU	1	4050-BR-ENC	
								60	45	4060	1	4DBU	1	4060-BR-ENC	
								75	55	4075	2	4DBU	2	4075-BR-ENC	F
								100	75	4100	2	4DBU	2	4100-BR-ENC	



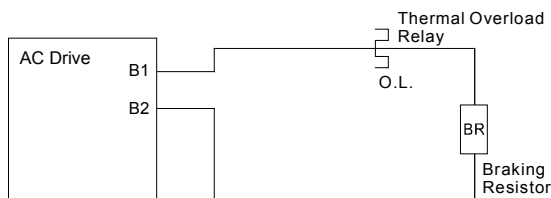
Wiring Diagram Index for GS4 Drives

GS4 AC DRIVE BRAKING WIRING DIAGRAM INDEX																				
230VAC DRIVE AND MOTOR VOLTAGE						460VAC DRIVE AND MOTOR VOLTAGE														
MOTOR POWER		AC DRIVE PART #	BRAKING UNIT		BRAKING RESISTOR		DIAGRAM #	MOTOR POWER		AC DRIVE PART #	BRAKING UNIT		BRAKING RESISTOR		DIAGRAM #					
(HP)	(kW)		QUANTITY	PART #	QUANTITY	PART #		(HP)	(kW)		QUANTITY	PART #	QUANTITY	PART #		QUANTITY	PART #			
		GS4-	GS-	GS4-	GS-BR-			GS4-	GS-	GS4-	GS-BR-									
1	0.7	21P0	0	n/a	1	080W200	A	1	0.7	41P0	0	n/a	1	080W750	A					
2	1.5	22P0			1	200W091		2	1.5	42P0			1	200W360						
3	2.2	23P0			1	300W070		3	2.2	43P0			1	300W250						
5	3.7	25P0			1	400W040		5	3.7	45P0			1	400W150						
7.5	5.5	27P5			1	1K0W020		7.5	5.5	47P5			1	1K0W075						
10	7.5	2010			1	1K0W020		10	7.5	4010			1	1K0W075						
15	11	2015			1	1K5W013		15	11	4015			1	1K5W043						
20	15	2020			2	1K0W4P3		20	15	4020			2	1K0W016						
25	18	2025			2	1K0W4P3		25	18	4025			2	1K0W016						
30	22	2030			2	1K5W3P3		30	22	4030			2	1K5W013						
40	30	2040			2	1K0W5P1		40	30	4040			4	1K0W016						
50	37	2050			2	2DBU		4	1K2W3P9	50			40	4050		1	4DBU	4	1K2W015	E
60	45	2060			2	2DBU		4	1K5W3P3	60			45	4060		1	4DBU	4	1K5W013	
75	55	2075			3	2DBU		6	1K2W3P9	75			55	4075		2	3DBU	8	1K0W5P1	H
100	75	2100	4	2DBU	8	1K2W3P9	100	75	4100	2	4DBU	8	1K2W015	I						
							125	90	4125	2	4DBU	8	1K5W013							
							150	110	4150	1	5DBU	10	1K2W015	L						
							175	132	4175	1	6DBU	12	1K5W012	M						
							200	160	4200	1	6DBU	12	1K5W012							
							250	185	4250	1	7DBU	14	1K5W012		N					
							300	220	4300	2	5DBU	20	1K2W015	O						

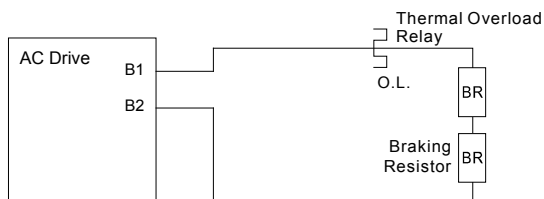
**Wiring Diagram A: [Drive + 1 Resistor]**

For GS3 230VAC Drives					For GS3 460VAC Drives						
AC Drive Part #	Braking Unit		Braking Resistor		Diag.	AC Drive Part #	Braking Unit		Braking Resistor		Diag.
	#	Part #	#	Part #			#	Part #	#	Part #	
GS3-21P0	0	n/a	1	GS-21P0-BR	A	GS3-41P0	0	n/a	1	GS-41P0-BR	A
GS3-22P0			1	GS-22P0-BR		GS3-42P0			1	GS-42P0-BR	
GS3-23P0			1	GS-23P0-BR		GS3-43P0			1	GS-43P0-BR	
GS3-25P0			1	GS-25P0-BR		GS3-45P0			1	GS-45P0-BR	
GS3-27P5			1	GS-27P5-BR		GS3-47P5			1	GS-47P5-BR	
GS3-2010			1	GS-2010-BR-ENC		GS3-4010			1	GS-4010-BR	
GS3-2015			1	GS-2015-BR-ENC		GS3-4015			1	GS-4015-BR-ENC	

For GS4 230VAC Drives					For GS4 460VAC Drives						
AC Drive Part #	Braking Unit		Braking Resistor		Diag.	AC Drive Part #	Braking Unit		Braking Resistor		Diag.
	#	Part #	#	Part #			#	Part #	#	Part #	
GS4-21P0	0	n/a	1	GS-BR-080W200	A	GS4-41P0	0	n/a	1	GS-BR-080W750	A
GS4-22P0			1	GS-BR-200W091		GS4-42P0			1	GS-BR-200W360	
GS4-23P0			1	GS-BR-300W070		GS4-43P0			1	GS-BR-300W250	
GS4-25P0			1	GS-BR-400W040		GS4-45P0			1	GS-BR-400W150	
GS4-27P5			1	GS-BR-1K0W020		GS4-47P5			1	GS-BR-1K0W075	
GS4-2010			1	GS-BR-1K0W020		GS4-4010			1	GS-BR-1K0W075	
GS4-2015			1	GS-BR-1K5W013		GS4-4015			1	GS-BR-1K5W043	

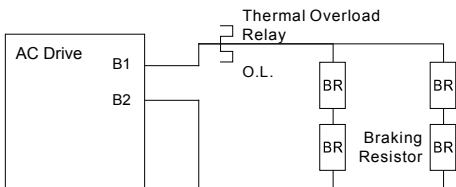

**Wiring Diagram B: [Drive + 2 Series Resistors]**

For GS4 230VAC Drives					For GS4 460VAC Drives						
AC Drive Part #	Braking Unit		Braking Resistor		Diag.	AC Drive Part #	Braking Unit		Braking Resistor		Diag.
	#	Part #	#	Part #			#	Part #	#	Part #	
GS4-2020	0	n/a	2	GS-BR-1K0W4P3	B	GS4-4020	0	n/a	2	GS-BR-1K0W016	B
GS4-2025			2	GS-BR-1K0W4P3		GS4-4025			2	GS-BR-1K0W016	
GS4-2030			2	GS-BR-1K5W3P3		GS4-4030			2	GS-BR-1K5W013	



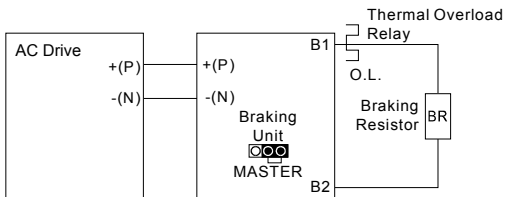
**Wiring Diagram C: [Drive + (2 Series + 2 Parallel) Resistors]**

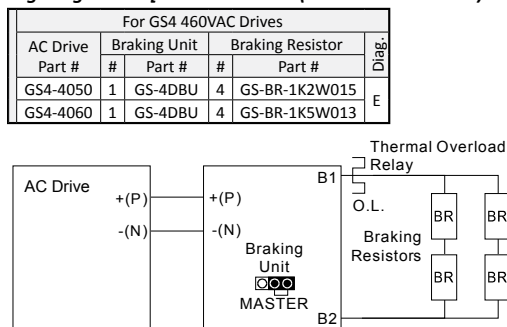
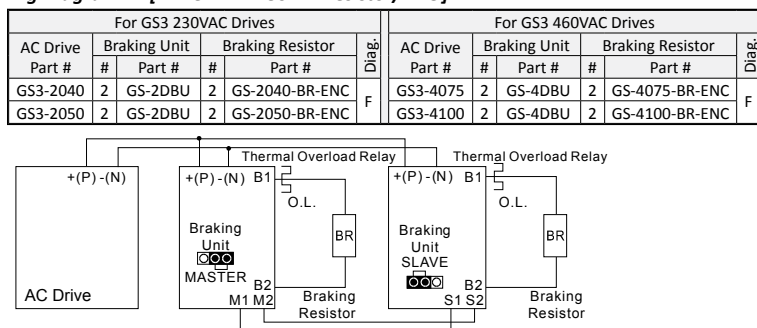
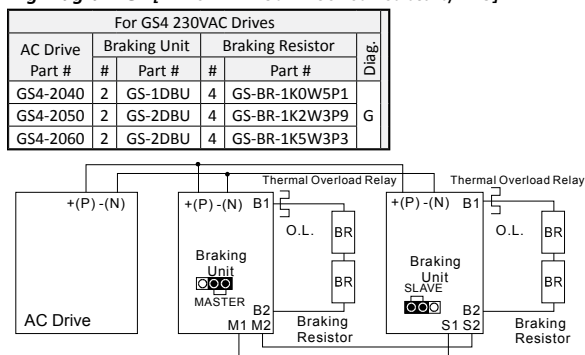
For GS4 460VAC Drives					Diag.
AC Drive	Braking Unit		Braking Resistor		
Part #	#	Part #	#	Part #	
GS4-4040	0	n/a	4	GS-BR-1K0W016	C



**Wiring Diagram D: [Drive + 1 DBU + 1 Resistor]**

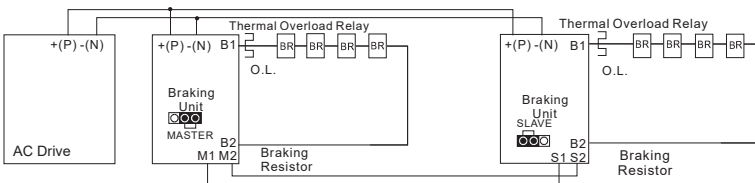
For GS3 230VAC Drives					For GS3 460VAC Drives					
AC Drive	Braking Unit		Braking Resistor		Diag.	AC Drive	Braking Unit		Braking Resistor	
Part #	#	Part #	#	Part #		Part #	#	Part #	#	Part #
GS3-2020	1	GS-2DBU	1	GS-2020-BR-ENC		D	GS3-4020	1	GS-4DBU	1
GS3-2025	1	GS-2DBU	1	GS-2025-BR-ENC	GS3-4025		1	GS-4DBU	1	GS-4025-BR-ENC
GS3-2030	1	GS-2DBU	1	GS-2030-BR-ENC	GS3-4030		1	GS-4DBU	1	GS-4030-BR-ENC
n/a					GS3-4040		1	GS-4DBU	1	GS-4040-BR-ENC
					GS3-4050		1	GS-4DBU	1	GS-4050-BR-ENC
					GS3-4060		1	GS-4DBU	1	GS-4060-BR-ENC



**Wiring Diagram E: [Drive + 1 DBU + (2 Series + 2 Parallel) Resistors]**

**Wiring Diagram F: [Drive + 2 DBUs + 1 Resistor/DBU]**

**Wiring Diagram G: [Drive + 2 DBUs + 2 Series Resistors/DBU]**


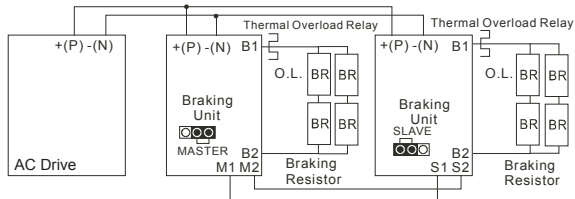
**H: [Drive + 2 DBUs + 4 Series Resistors/DBU]**

For GS4 460VAC Drives					
AC Drive	Braking Unit		Braking Resistor		Diag.
Part #	#	Part #	#	Part #	
GS4-4075	2	GS-3DBU	8	GS-BR-1K0W5P1	H



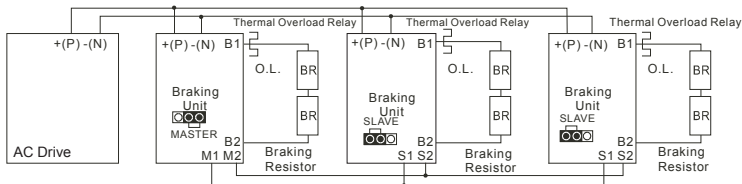
**Wiring Diagram I: [Drive + 2 DBUs + (2 Series + 2 Parallel) Resistors/DBU]**

For GS4 460VAC Drives					
AC Drive	Braking Unit		Braking Resistor		Diag.
Part #	#	Part #	#	Part #	
GS4-4100	2	GS-4DBU	8	GS-BR-1K2W015	I
GS4-4125	2	GS-4DBU	8	GS-BR-1K5W013	

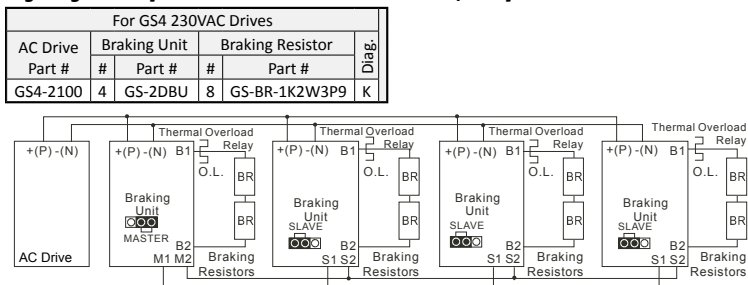


**Wiring Diagram J: [Drive + 3 DBUs + 2 Series Resistors/DBU]**

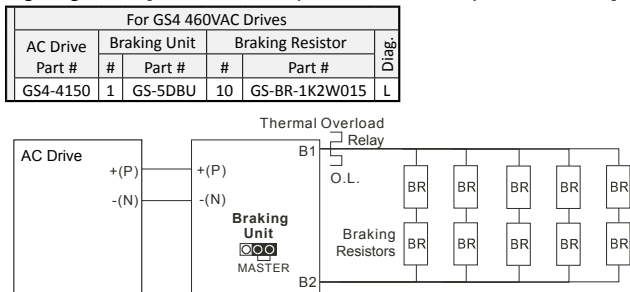
For GS4 230VAC Drives					
AC Drive	Braking Unit		Braking Resistor		Diag.
Part #	#	Part #	#	Part #	
GS4-2075	3	GS-2DBU	6	GS-BR-1K2W3P9	J



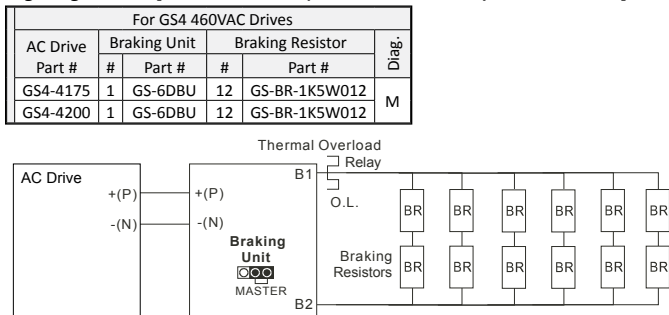
**Wiring Diagram K: [Drive + 4 DBUs + 2 Series Resistors/DBU]**



**Wiring Diagram L: [Drive + 1 DBU + (2 Series + 5 Parallel) Resistors/DBU]**

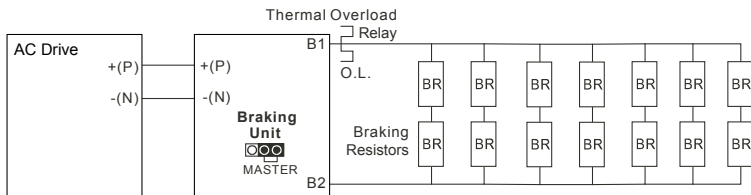


**Wiring Diagram M: [Drive + 1 DBU + (2 Series + 6 Parallel) Resistors/DBU]**



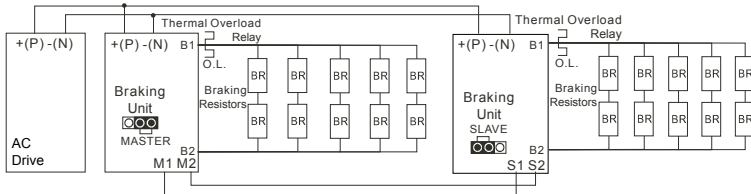
**Wiring Diagram N: [Drive + 1 DBU + (2 Series + 7 Parallel) Resistors/DBU]**

For GS4 460VAC Drives					
AC Drive	Braking Unit		Braking Resistor		Diag.
Part #	#	Part #	#	Part #	
GS4-4250	1	GS-7DBU	14	GS-BR-1K5W012	N



**Wiring Diagram O: [Drive + 2 DBUs + (2 Series + 5 Parallel) Resistors/DBU]**

For GS4 460VAC Drives					
AC Drive	Braking Unit		Braking Resistor		Diag.
Part #	#	Part #	#	Part #	
GS4-4300	2	GS-5DBU	20	GS-BR-1K2W015	O



BLANK  
PAGE



**BLANK  
PAGE**

