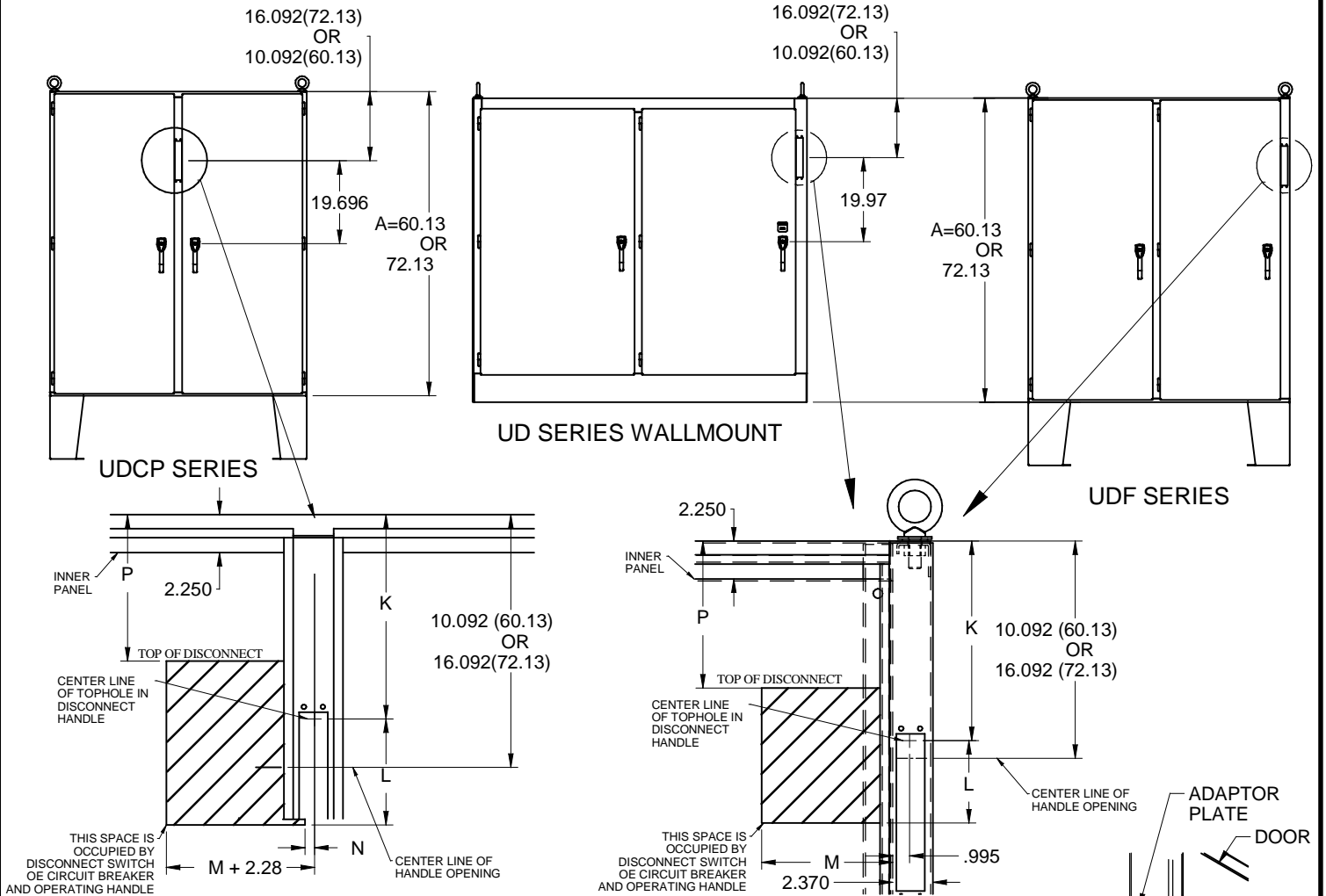


# UDCP/UD/UDF SERIES

BUL10099

REV. E

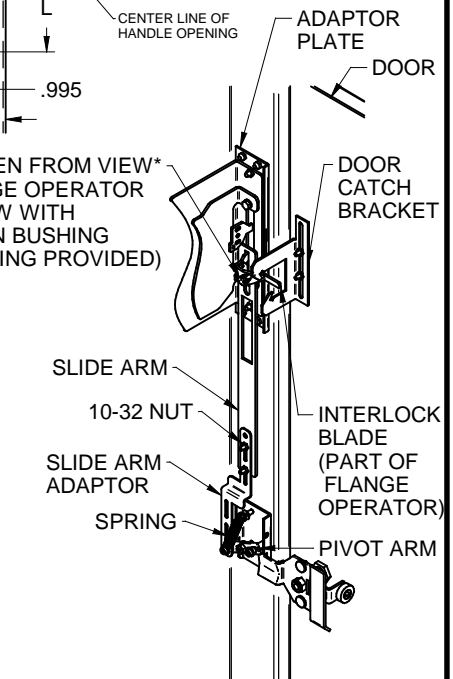
## INSTALLATION PROCEDURE FOR ALLEN BRADLEY 1494F SERIES B DISCONNECTS AND 1494D OPERATORS FOR CIRCUIT BREAKERS USE ADAPTOR AK1494FD



### ASSEMBLY INSTRUCTIONS

- (A) BOLT ADAPTOR PLATE TO INSIDE FLANGE OF ENCLOSURE WITH GASKET AND SCREWS PROVIDED.
- (B) BOLT THE FLANGE OPERATOR TO THE ADAPTOR PLATE USING THE HARDWARE PROVIDED WITH THE OPERATOR.
- (C) REMOVE INTERLOCK BLADE AND BOTTOM SCREW OF THE OPERATOR HANDLE. INSTALL SLIDE ARM OVER THE BOTTOM ACTUATOR BRACKET ON OPERATOR HANDLE USING THE RECTANGULAR CUTOUT, RE-INSTALL BOTTOM SCREW WITH NYLON BUSHING THROUGH THE ROUNDED SLOT. RE-INSTALL THE INTERLOCK BLADE.
- (D) REMOVE SHOULDER SCREW ATTACHED TO THE SPRING ON THE PIVOT ARM. INSTALL SLIDE ARM ADAPTOR ONTO SLIDE ARM STUDS AND LOOSELY INSTALL 10-32 NUTS. ATTACH OTHER END OF SLIDE ARM ADAPTOR TO THE PIVOT ARM USING THE SHOULDER SCREW. MAKE SURE SPRING IS RE-INSTALLED.
- (E) ADJUST THE SLIDE ARM TO THE CORRECT POSITION FOR INTERLOCK TO FUNCTION PROPERLY. WITH THE DOOR OPEN AND THE OPERATOR HANDLE SWITCH OFF, REST THE SLIDE ARM ON THE BOTTOM ACTUATOR BRACKET OF THE OPERATOR HANDLE. TIGHTEN 10-32 NUTS TO LOCK IN PLACE.
- (F) ADJUST INTERLOCK DOOR CATCH BRACKET SO IT CATCHES ON THE INTERLOCK BLADE ONLY WHEN THE FLANGE OPERATOR IS IN THE "ON" POSITION. THIS IS TO PREVENT THE DOOR FROM OPENING WHEN POWER IS ON.
- (G) INSTALL FUSE BLOCK OR DISCONNECT PER MANUFACTURER'S INSTRUCTIONS.

| TOOL BOX | 11/32, 3/8 or 7/16 Socket Wrench | 1/8 ALLEN KEY | 1/4 Slot Head Screw Driver |
|----------|----------------------------------|---------------|----------------------------|
|          |                                  |               |                            |



**HAMMOND MANUFACTURING™ ENCLOSURES**

**INSTALLATION PROCEDURE FOR ALLEN BRADLEY 1494F  
DISCONNECTS AND 1494D OPERATORS FOR CIRCUIT BREAKERS USE  
ADAPTOR AK1494FD**

**BUL10099**  
REV. E

**ALLEN-BRADLEY BULLETIN 1494F DISCONNECT SWITCHES**

**ABOVE DISCONNECT**

| FITS<br>60.13 72.13 |   | ALLEN<br>BRADLEY<br>TYPE NO. | AMP<br>RATING | FUSE<br>CLIP | FUSE<br>CLASS | SPACE OCCUPIED<br>L | M(1)  | N    | WHEN<br>A=60.13<br>P | WHEN<br>A=72.13<br>P |
|---------------------|---|------------------------------|---------------|--------------|---------------|---------------------|-------|------|----------------------|----------------------|
| *                   | * | N30                          | 30A           | NO-FUSE      | -             | 4.62                | 6.50  | 0.63 | 5.31                 | 11.31                |
| *                   | * | NF30                         | 30A           | 30A-250V     | H,K,R         | 6.50                | 6.50  | 0.63 | 5.31                 | 11.31                |
| *                   | * | NF30                         | 30A           | 60A-250V     | H,K,R         | 7.25                | 6.50  | 0.63 | 5.31                 | 11.31                |
| *                   | * | NF30                         | 30A           | 30A-600V     | H,K,R         | 9.25                | 6.50  | 0.63 | 5.31                 | 11.31                |
| *                   | * | NF30                         | 30A           | 60A-600V     | H,K,R         | 9.75                | 6.50  | 0.63 | 5.31                 | 11.31                |
| *                   | * | NF30                         | 30A           | 30A-600V     | J             | 6.50                | 6.50  | 0.63 | 5.31                 | 11.31                |
| *                   | * | NF30                         | 30A           | 60A-600V     | J             | 6.62                | 6.50  | 0.63 | 5.31                 | 11.31                |
| *                   | * | N60                          | 60A           | NO-FUSE      | -             | 4.62                | 6.50  | 0.63 | 4.62                 | 10.62                |
| *                   | * | NF60                         | 60A           | 30A-600V     | H,K,R         | 10.38               | 6.50  | 0.63 | 4.62                 | 10.62                |
| *                   | * | NF60                         | 60A           | 60A-250V     | H,K,R         | 8.38                | 6.50  | 0.63 | 4.62                 | 10.62                |
| *                   | * | NF60                         | 60A           | 100A-250V    | H,K,R         | 10.88               | 6.50  | 0.63 | 4.62                 | 10.62                |
| *                   | * | NF60                         | 60A           | 60A-600V     | H,K,R         | 10.88               | 6.50  | 0.63 | 4.62                 | 10.62                |
| *                   | * | NF60                         | 60A           | 100A-600V    | H,K,R         | 12.88               | 6.62  | 0.63 | 4.62                 | 10.62                |
| *                   | * | NF60                         | 60A           | 60A-600V     | J             | 7.75                | 6.50  | 0.63 | 4.62                 | 10.62                |
| *                   | * | NF60                         | 60A           | 100A-600V    | J             | 9.75                | 6.50  | 0.63 | 4.62                 | 10.62                |
| *                   | * | N100                         | 100A          | NO-FUSE      | -             | 4.62                | 7.25  | 0.63 | -                    | 8.75                 |
| *                   | * | NF100                        | 100A          | 100A-250V    | H,K,R         | 11.38               | 7.38  | 0.63 | -                    | 8.75                 |
| *                   | * | NF100                        | 100A          | 200A-250V    | H,K,R         | 12.25               | 7.62  | 0.63 | -                    | 8.75                 |
| *                   | * | NF100                        | 100A          | 100A-600V    | H,K,R         | 13.38               | 7.50  | 0.63 | -                    | 8.75                 |
| *                   | * | NF100                        | 100A          | 200A-600V    | H,K,R         | 14.75               | 7.75  | 0.63 | -                    | 8.75                 |
| *                   | * | NF100                        | 100A          | 100A-600V    | J             | 10.12               | 7.38  | 0.63 | -                    | 8.75                 |
| *                   | * | NF100                        | 100A          | 200A-600V    | J             | 10.88               | 7.50  | 0.63 | -                    | 8.75                 |
| *                   | * | N200                         | 200A          | NO-FUSE      | -             | 7.12                | 10.38 | 0.56 | -                    | 7.125                |
| *                   | * | NF200                        | 200A          | 200A-250V    | H,K,R         | 15.00               | 10.38 | 0.56 | -                    | 7.125                |
| *                   | * | NF200                        | 200A          | 400A-250V    | H,K,R         | 16.56               | 10.75 | 0.56 | -                    | 7.125                |
| *                   | * | NF200                        | 200A          | 200A-600V    | H,K,R         | 17.56               | 10.38 | 0.56 | -                    | 7.125                |
| *                   | * | NF200                        | 200A          | 400A-600V    | H,K,R         | 19.56               | 11.00 | 0.56 | -                    | 7.125                |
| *                   | * | NF200                        | 200A          | 200A-600V    | J             | 13.69               | 10.38 | 0.56 | -                    | 7.125                |
| *                   | * | NF100                        | 200A          | 400A-600V    | J             | 15.00               | 10.62 | 0.56 | -                    | 7.125                |

1 THE "M" DIMENSION DOES NOT INCLUDE SPACE FOR AUXILIARY SWITCHES.  
SEE ALLEN BRADLEY INSTRUCTIONS IF ADDITIONAL SPACE IS REQUIRED

**ALLEN-BRADLEY BULLETIN 1494D OPERATORS FOR CIRCUIT BREAKERS**

**WIRE BEND SPACE  
ABOVE CIRCUIT BREAKER**

| FITS<br>60.13 72.13 |   | ALLEN<br>BRADLEY<br>TYPE NO. | AMP<br>RATING | CIRCUIT BREAKER<br>FRAME TYPE                | L    | M(1) | N    | WHEN<br>A=60.13<br>P | WHEN<br>A=72.13<br>P |
|---------------------|---|------------------------------|---------------|--|------|------|------|----------------------|----------------------|
| *                   | * | N4/N40                       | 150A          | C-H WESTINGHOUSE EHD,<br>FD,FDB,FDC,HFD,HMCP | 5.81 | 4.56 | 0.63 | 5.25                 | 11.25                |
| *                   | * | N5/N50                       | 250A          | C-H WESTINGHOUSE JD,<br>JDB,JDC,HJD,HMCP     | 8.81 | 4.75 | 0.63 | 4.44                 | 10.44                |
| *                   | * | N5/N60                       | 400A          | C-H WESTINGHOUSE KD,<br>KDB,DK,HKD,HMCP      | 8.81 | 5.88 | 0.63 | -                    | 10.50                |

1 THE "M" DIMENSION DOES NOT INCLUDE SPACE FOR AUXILIARY SWITCHES.  
SEE ALLEN BRADLEY INSTRUCTIONS IF ADDITIONAL SPACE IS REQUIRED.

"K" = 5.88 WHEN "A" = 60.13  
"K" = 11.88 WHEN "A" = 72.13 (EXCEPT 200A SWITCHES)  
"K" = 10.56 WHEN "A" = 72.13 (200A SWITCHES ONLY).

