

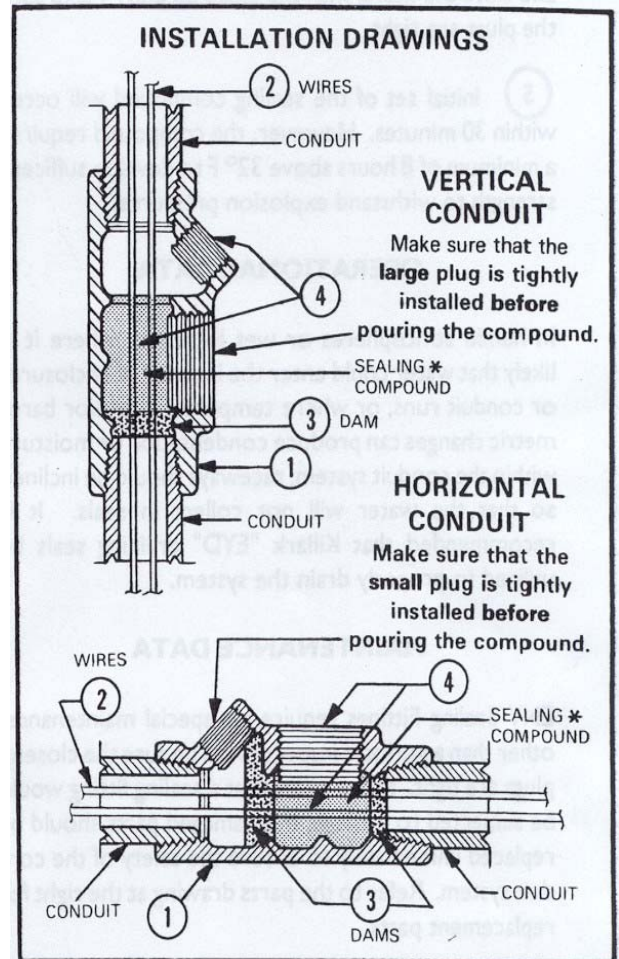
**INSTALLATION, OPERATION & MAINTENANCE DATA SHEET**  
**TYPE "ENY" HORIZONTAL / VERTICAL SEALING FITTING**  
 SUITABLE FOR CLASS I, DIV. 1 & 2, GROUPS A, B, C & D  
 AND CLASS II, DIV. 1 & 2, GROUPS E, F & G HAZARDOUS LOCATIONS.

Sealing fittings are installed in conduit runs to minimize the passage of gases, vapors, or flames from one portion of the electrical installation to another through the conduit, as well as to prevent precompression or "pressure-piling" of vapors or gases in conduit systems.

**NOTE:** Seals should be made only by experienced, careful persons in strict compliance with these instructions. Even slight variations can cause serious field problems. Read directions completely.

**DIRECTIONS FOR INSTALLATION**

- ① Using the drawings and chart at the right as a guide, install the sealing fitting into the conduit system. Refer to the National Electrical Code, Articles 501-5 and 502-5 for the regulations covering your specific application.
  - ② Pull the conductors (wires) through the conduit system.
  - ③ Using Killark Type "PF" Packing Fiber, build a dam at each conduit hub (except upper hubs in vertical seals.) Use a wooden stick to force the wires apart, and pack the fiber tightly around all wires. The dam must be tight and strong enough to keep the liquid sealing compound from leaking out before it sets up. The completed dam should be even with the conduit stop.
  - ④ Use **ONLY** Killark Type "SC" Sealing Compound with these fittings. The sealing compound is mixed with water at the rate of three (3) parts of sealing compound to one (1) part of water by volume. See chart to determine the amount of compound required for a specific fitting. Use a clean mixing vessel for each batch. Sprinkle the sealing compound into the water while stirring, until a thick paste is formed. Continue mixing for **AT LEAST THREE (3) MINUTES**. The proper consistency is just fluid enough to pour **SLOWLY**, like thick gravy, from an inverted container, **NOT WATERY**. Do not mix more material than can be poured in 15 minutes. Discard any material that becomes too stiff to use. Never attempt to restore workability by stirring in more water.
- After the compound is mixed, slowly pour it into the sealing fitting to the required level. Make sure that the wires are well separated, so the compound completely surrounds them. Pour slowly to avoid trapping air bubbles in the compound. Immediately wipe any spilled compound from conduits and threads, and close the fitting with the close-up plug. Make sure the plugs are tight.
- ⑤ Initial set of the sealing compound will occur within thirty (30) minutes. However, the compound requires a minimum of 8 hours above 32° F to develop sufficient strength to withstand explosion pressures.



\* **NOTE:** These fittings are approved for use **only** with Killark "SC" Sealing Compound.

CAT. NO.	CONDUIT SIZE	MIN. POUR DEPTH	APPROX. AMOUNT MIXED COMPOUND REQ'D. (OZ.)
ENY-1	1/2"	5/8"	1.0
ENY-2	3/4"	3/4"	1.5
ENY-3	1"	1"	2.5
ENY-4	1 1/4"	1 1/4"	5.5
ENY-5	1 1/2"	1 1/2"	7.5
ENY-6	2"	2"	10.5

**OPERATIONAL DATA**

In humid atmospheres or wet locations, where it is likely that water could enter the interior enclosures or conduit runs, or where temperature and/or barometric changes can produce condensation or moisture within the conduit system, raceways should be inclined so that the water will not collect in seals. It is recommended that Killark "EYD" draining seals be utilized to properly drain the system.

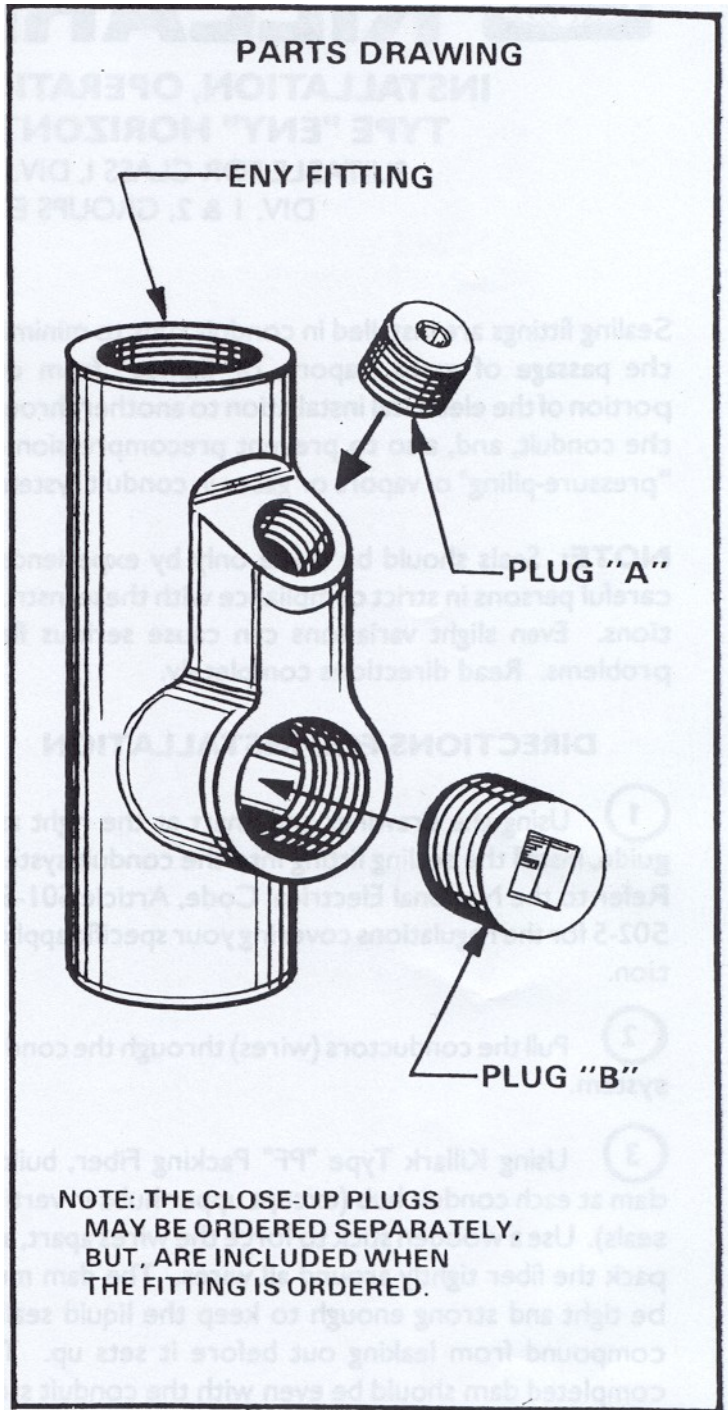
**MAINTENANCE DATA**

ENY sealing fittings require no special maintenance, other than a periodic inspection to be sure the close-up plugs are tight. In the event that a sealing fitting would be subjected to damage, the damaged parts should be replaced immediately to ensure the safety of the conduit system. Refer to the parts drawing at the right for replacement parts.

**MAINTENANCE MANAGER:** Please record the following information for your records:

COMPLETE CATALOG NO. \_\_\_\_\_  
(As shown on package)

DATE OF INSTALLATION \_\_\_\_\_



**REMEMBER TO SAVE A COPY OF THIS INFORMATION FOR MAINTENANCE PERSONNEL.**

ALUMINUM FITTING CAT. NO.	PLUG "A" CAT. NO.	PLUG "B" CAT. NO.
ENY-1	CUP-250	CUP-2
ENY-2	CUP-375	CUP-2
ENY-3	CUP-375	CUP-3
ENY-4	CUP-1	CUP-4
ENY-5	CUP-1	CUP-5
ENY-6	CUP-2	CUP-6
<b>IRON FITTING CAT. NO.</b>		
ENY-1M	19861AAAB	PLUG 2
ENY-2M	19862AAAB	PLUG 2
ENY-3M	19862AAAB	PLUG 3
ENY-4M	PLUG 1	PLUG 4
ENY-5M	PLUG 1	PLUG 5
ENY-6M	PLUG 2	PLUG 6