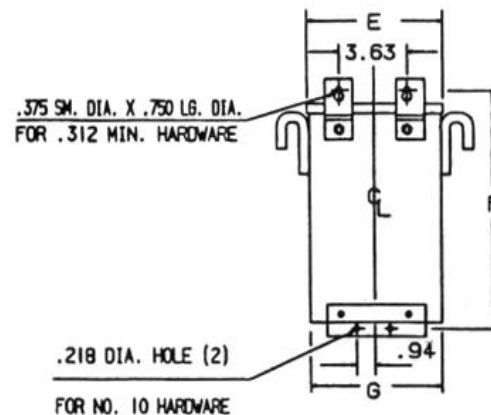
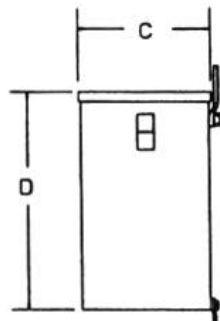
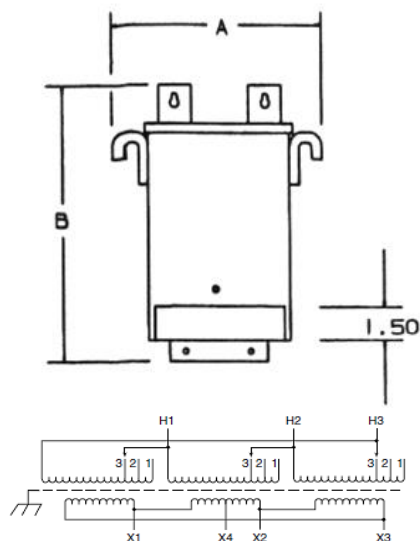
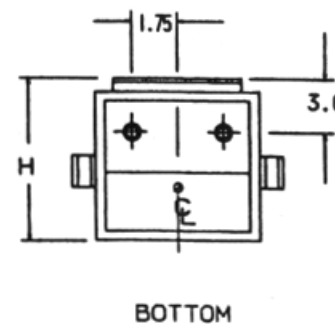


REVISIONS



NOTES:

- I. KNOCKOUTS:  
 1.69 DIA. FOR 1.25 CONDUIT  
 1.13 DIA. FOR .75 CONDUIT



Primary Volts	Connect Primary Lines To	Inter-Connect	Connect Secondary Lines To
480	H1, H2, H3	1	
456	H1, H2, H3	2	
432	H1, H2, H3	3	
Secondary Volts			
240			X1, X2, X3
120			X1, X4 or X2, X4

KVA	CATALOG NUMBER	VOLTAGE		MARKINGS	WEIGHT	PHASE	FREQUENCY	
		HIGH	LOW					
3.0	<b>T2A533281S</b>	480Δ	240Δ/120		75 Lbs	3φ	60Hz	
Temp Rise:		115°C	<b>TYPICAL PERFORMANCE DATA</b>					
Insulation:		180°C						
Standards:		UL/CSA	<b>Encapsulated</b>		Windings:	CU		
	<b>A</b>	<b>B</b>	<b>C</b>	<b>D</b>	<b>E</b>	<b>F</b>	<b>G</b>	<b>H</b>
	12.37	11.63	7.12	9.06	9.87	10.89	9.75	7.47



DATE: 3-Feb-16

TYPE NO: