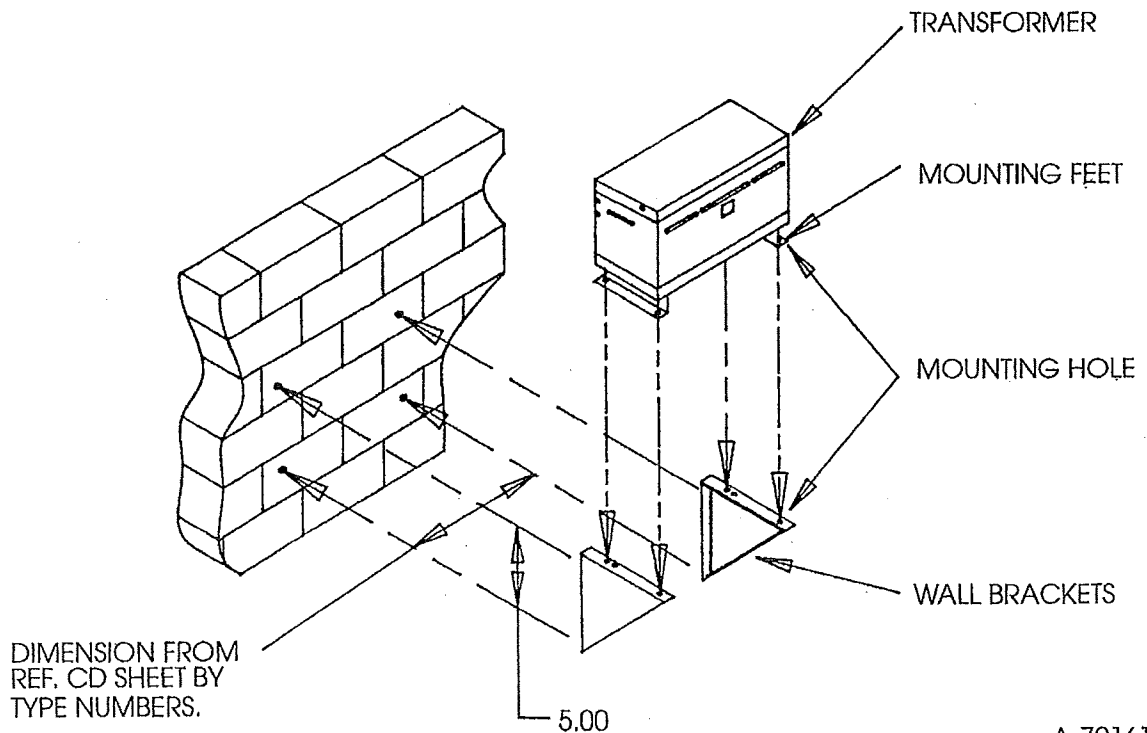


INSTALLATION INSTRUCTIONS FOR PL-79911

1. MOUNT THE WALL MOUNTING BRACKET TO THE WALL AS ILLUSTRATED USING AT LEAST 5/8" HARDWARE. (THE DISTANCE BETWEEN BRACKETS MUST BE THE SAME AS THE DISTANCE BETWEEN THE MOUNTING FEET OF THE TRANSFORMER).

MOUNTING HARDWARE NOT INCLUDED



A-701612