



**Hammond Power Solutions Inc.**


TITLE: 3PH DISTRIBUTION TRANSFORMER  
NAMEPLATE INFORMATION

1	17/04/03	JW	ADDED ENCL BOTTOM DRAWING	DES: JWEN
NO.	DATE	BY	REVISION	SCALE: NTS

SHEET 1 OF 3


EDBSC3A0075KB

1.2\_jwen 2016/06/10/08:48




**Hammond Power Solutions**  
Guelph, ONT  
Compton, CA

**HPS Sentinel® G**  
Energy Efficient Distribution Transformer  
Transformateur de Distribution à Bon Rendement Énergétique



LR 3902  
DRY TYPE TRANSFORMER  
E112313  
ALSO VERIFIED IN ACCORDANCE TO ENERGY STANDARD C802.2-12



8 03423 12196 9

**LISTED**

SPACINGS BETWEEN ANY VENTILATED ENCLOSURE PANEL AND ANY ADJACENT WALL SHALL BE A MINIMUM OF 3 INCHES

Serial No. No. de Serie	HV/HT	480V	10 kV	H1 H2 H3	208Y/120V	208.2A	10 kV	X0 X1 X2 X3	DOE 10 CFR PART 431:2016 CEE ACT SOR/2016-311 AMENDMENT 14 & ON REG. 404/12
3	K	ANN	75	150 °C	220 °C	AL	60	5	3R
									575

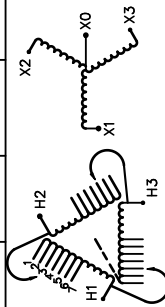
  

Cust. Ref. Ref. du Client	Phase	Type	Cooling Refroidissement	kVA	Temp. Rise Échauffement	Temp Class Classe Temp	Winding Enroulement	Frequency Hz	Impedance % @ 170 °C	Encl. Type Type de Coffrage	Wt. LBS Poids en lbs
	3	K	ANN	75	150 °C	220 °C	AL	60	5	3R	575

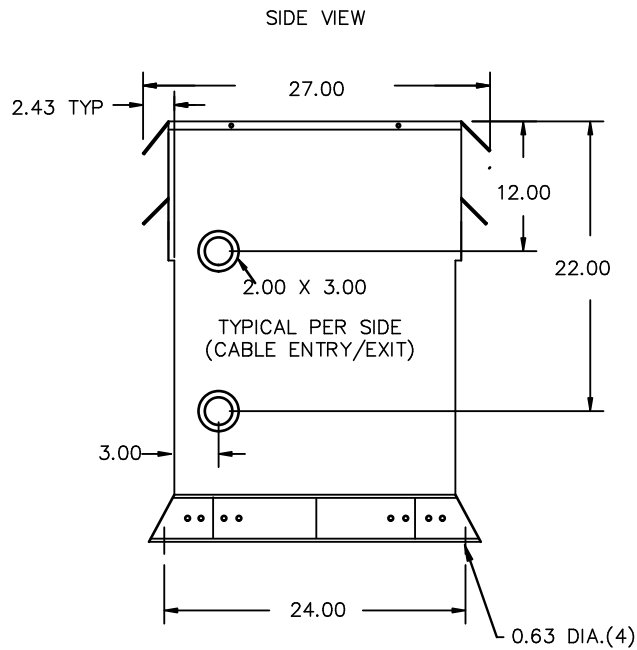
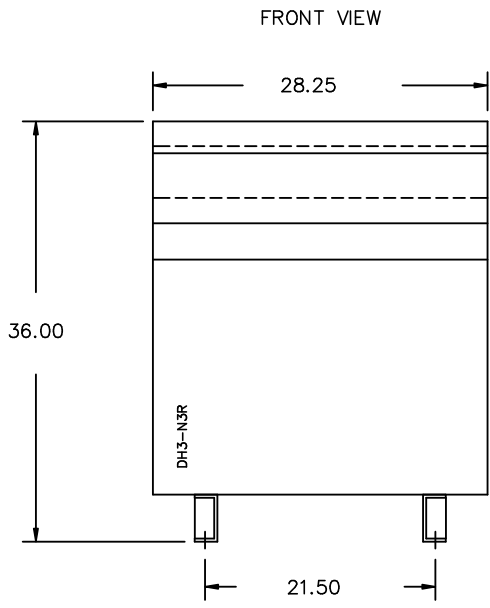
  

VOLTS	CURRENT COURANT	% RATED VOLTAGE TENSION NOMINALE	CONNECTION EACH PHASE CONNECTION PAR PHASE
504	85.9	105	1
492	88.0	102.5	2
480	90.2	100	3
468	92.5	97.5	4
456	95.0	95	5
444	97.5	92.5	6
432	100.2	90	7



SEISMIC QUALIFICATIONS, OSP-0136-10  
AS FLOOR MOUNT ONLY  
IBC 2012/ASCE 7-10  
SDS<=2.0g Z/h=1 Ip=1.5



All Dimensions in inches

ENCLOSURE COLOR :ANSI 61 GREY – OUTDOOR

HV TERMINAL DETAIL

LV TERMINAL DETAIL

MECHANICAL TYPE LUGS INCLUDED  
SUITABLE FOR #2/0-14 CU/AL  
CONDUCTORS  
1 CONDUCTOR PER PHASE

MECHANICAL TYPE LUGS INCLUDED  
SUITABLE FOR 600MCM-2 CU/AL  
CONDUCTORS  
1 CONDUCTOR PER PHASE

CUSTOMER NOTES:

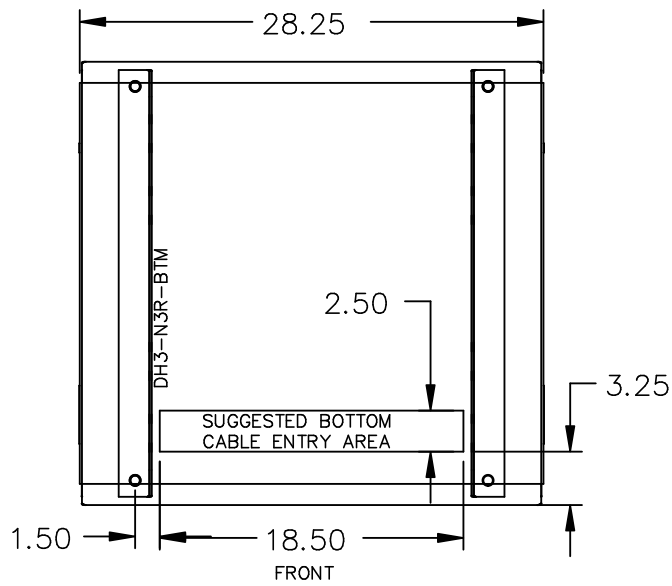
- HV TERMINATED AT TOP FRONT
- LV TERMINATED AT BOTTOM FRONT



TITLE: 3PH DISTRIBUTION TRANSFORMER				
1	17/04/03	JW	ADDED ENCL BOTTOM DRAWING	DES: JWEN
				DATE: 15/11/09
NO.	DATE	BY	REVISION	SCALE: NTS

SHEET 2 OF 3  
 ED8SG3A0075KB  
 1.2\_jwen 2018/06/10/08:48

ENCLOSURE BOTTOM VIEW



NOTE:  
 WHEN BOTTOM CABLE ENTRY IS OPTED, THE SPACE USED FOR CONDUITS IN THE FRONT OF THE TRANSFORMER SHOULD NOT OBSTRUCT MORE THAN 50% OF THE FRONT AIR INTAKE AREA DEFINED BETWEEN THE BOTTOM PLATE AND THE SUPPORTING LEGS.  
 SEE MANUAL FOR ADDITIONAL INFORMATION



TITLE: 3PH DISTRIBUTION TRANSFORMER  
 ENCLOSURE BOTTOM VIEW

1	17/04/03	JW	ADDED ENCL BOTTOM DRAWING	DES: JWEN
NO.	DATE	BY	REVISION	SCALE: NTS

SHEET 3 OF 3

EDBSC3A0075KB

1.2\_jwen 2010/06/10 08:48