

70730FR

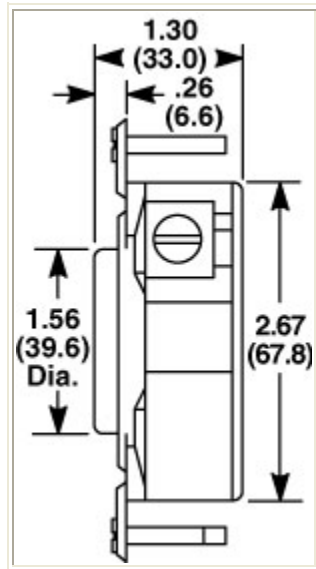
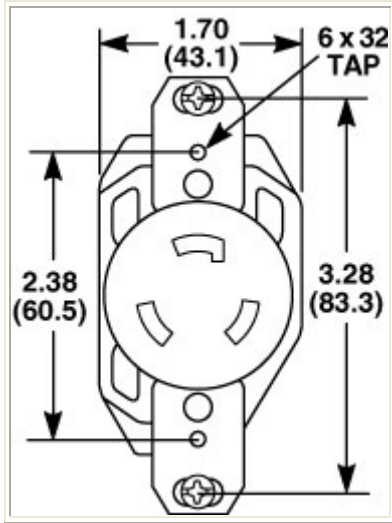


Locking Receptacle.

Product Specifications

| | |
|---------------------------|-------------------------------------|
| Product Style | Standard Locking. |
| Amperage | 30A |
| Device Type | Flush Receptacle. |
| Poles and Wires | 2 Pole, 3 Wire. |
| Voltage | 277V AC |
| Product Variation | Standard. |
| Color | Black. |
| Configuration Type | L7-30 |
| Base | Reinforced Thermoplastic Polyester. |
| Face | Nylon. |
| Terminals | 0.40" (1.0) Copper Alloy. |
| Terminal Clamp | 0.40" (1.0) Copper Alloy. |
| Ground Contact | 0.40" (1.0) Copper Alloy. |
| Ground Shunt | .015" (.3) Copper Alloy. |
| Mounting Strap | .050" (1.3) Steel (Nickel-Plated). |
| Back Plate | .040" (1.0) Plated Copper Alloy. |
| Terminal Screws | #10 Bronze. |
| Self Ground Clip | Stainless Steel. |
| Mounting Screws | Plated Steel. |
| Dielectric Voltage | Withstands 3500V per UL498. |

| | |
|--------------------------------|---|
| Max Working Voltage | 600V AC or 250V DC. |
| Current Interrupting | Certified for current interrupting at full rated current. |
| Temperature Rise | Maximum 30 deg C temperature rise at full rated current after 50 cycles of overload at 150% rated current for either AC or DC applications per UL498 |
| Terminal Identification | (X, Y Z Brass Hot) (G, Green, Grounding) (W, Silver, Neutral). |
| Terminal Accommodation | #14-#8 AWG solid or stranded copper wire. |
| Product Identification | Ratings and NEMA identification are permanently marked on device. |
| Flammability | UL 94 V2 Minimum. |
| Operating Temperatures | -40 deg C to 85 deg C (continuous w/o impact). |
| UL Standard | UL Listed to Standard 498 (Attachment Plug and Receptacles). |
| CSA Standard | Certified to CSA Standard C22.2 No.42M1984 (General Use Receptacles) and C22.2 No. 182.2M1987 (Industrial Locking Type, Special Use Attachment Plugs, Receptacles and Connectors) where applicable. |
| UL Listing File | UI Listed File #E2258- Guide #RTRT |
| CSA Certification File | CSA Certified File #LR16215- Guide #365-E-1. |
| Fed Spec | Federal Specifications WC596 (where applicable). |
| Complies with: | Complies with NEMA Standards WD-1, WD-6 and UL 498. |
| Overseas Approvals | NOM, CE. |
| Catalog Page | Click here for catalog page |
| | |



BRYANT®