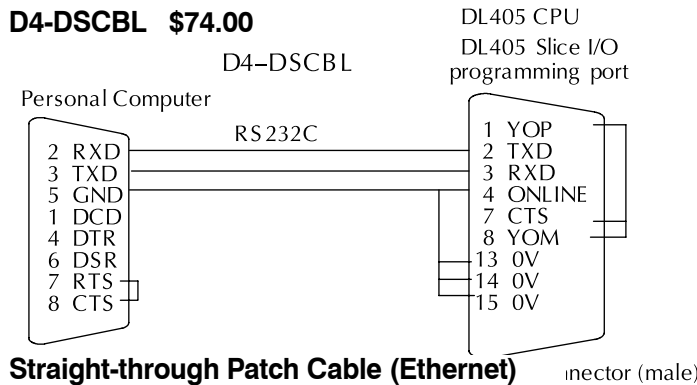
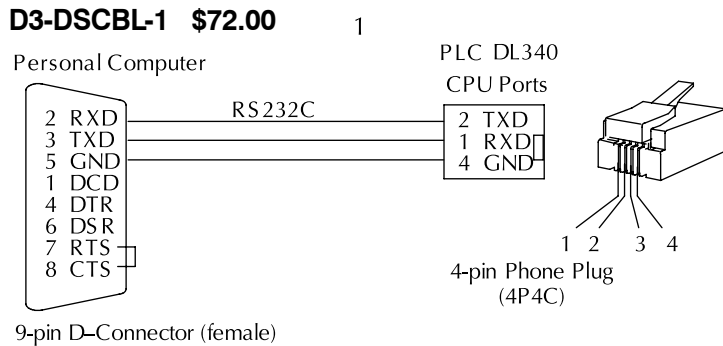
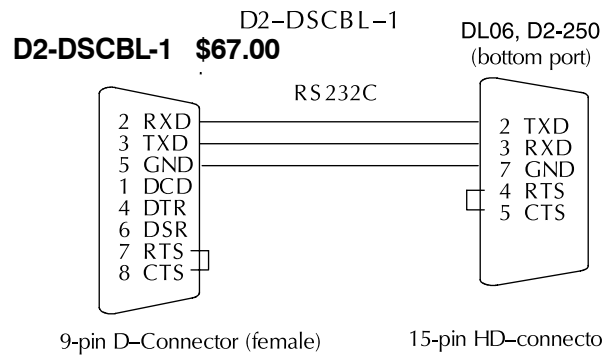
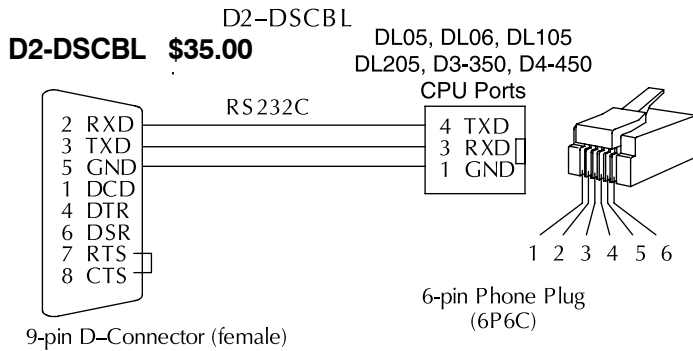
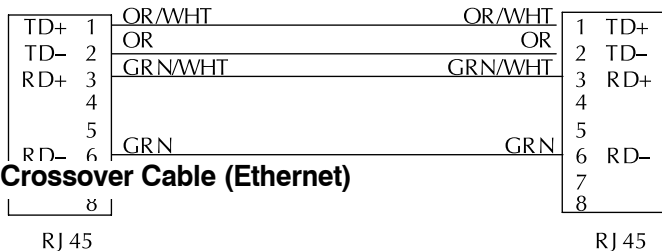


DirectLOGIC PLC Programming Cables

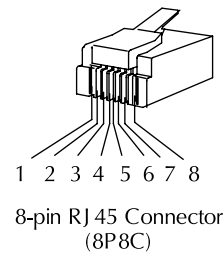
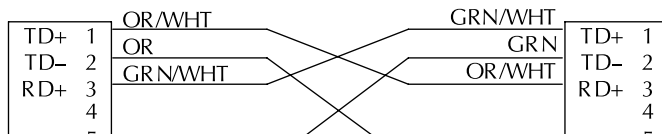
Pin labeling conforms to IBM DTE and DCE standards



Straight-through Patch Cable



Crossover Patch Cable



All Ethernet and ECOM patch cables should be Category UTP Cable. The diagram illustrates the appropriate wire position in the RJ 45 connector.