



E22 Series 22mm Pilot Devices

Cutler-Hammer

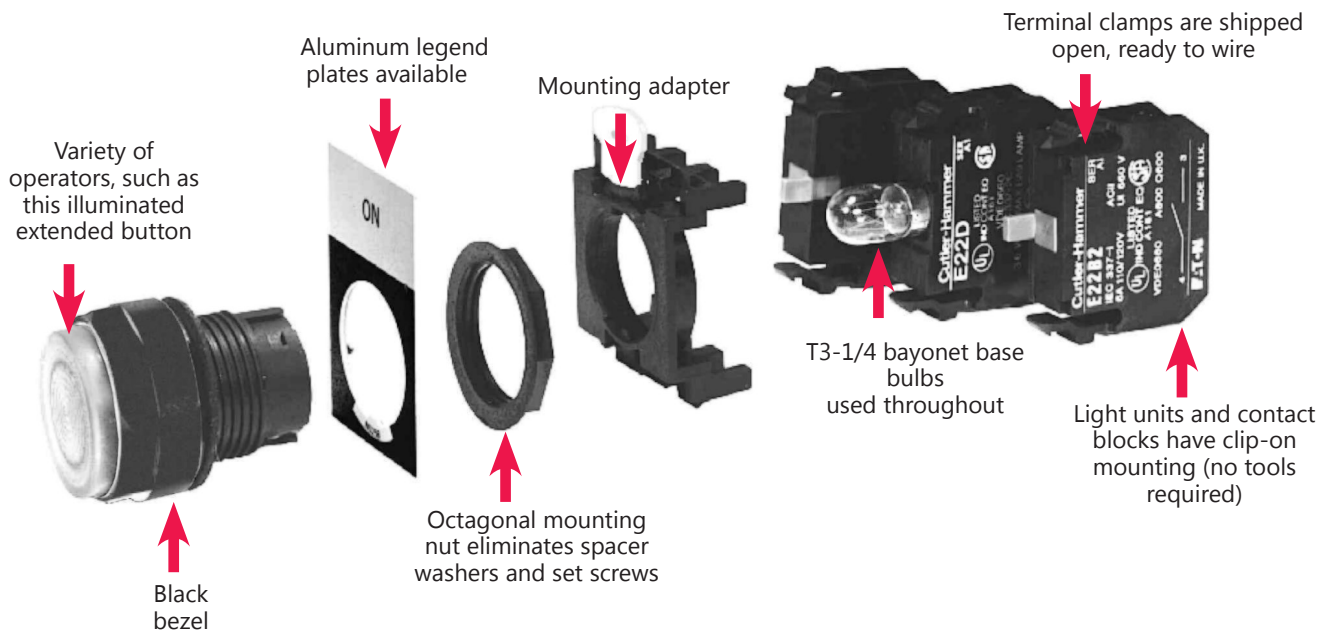
Overview*

22mm non-metal operator and pilot devices

Cutler-Hammer's 22mm industrial pushbutton line offers a wide array of functional, smartly-styled illuminated and non-illuminated pushbuttons, selector switches, and more. We offer transformer, full voltage, resistor, or LED light units. The operators feature a matte black bezel. The space-saving design and modular construction of the E22 line makes on-the-job installation fast and easy.

Complete assembled devices

The devices listed are shipped complete with operator, contact blocks and light (if applicable).

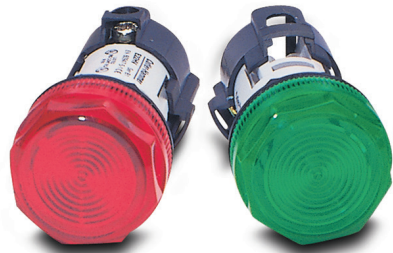


* Cutler-Hammer products are available for sale to North America locations only.



E22 Series Selection Guide

Cutler-Hammer



Indicating lights

Complete assembly includes:

- Illuminated operator, including optically enhanced lens
- Incandescent or LED light units
- (Order legend plate separately)



Selector switches

Complete assembly includes:

- Selector operator
- Contact block(s) - one or two normally open or normally closed
- Black bezel
- (Order legend plate separately)



Pushbuttons

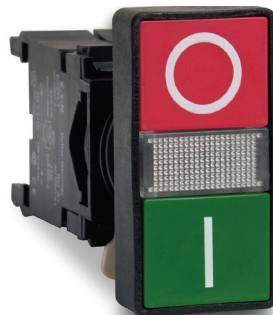
Complete assembly includes:

- Flush or extended momentary operators
- One normally open or normally closed contact
- Push-push models also available
- 120VAC light (if illuminated)
- (Order legend plate separately)



40 and 50mm mushroom pushbuttons

- Push-Pull trigger action
- Illuminated or non-illuminated
- (Order legend plate separately)



Double headed pushbutton

- On/Off control



Control station

- For Start/Stop applications



Illuminated pushbuttons

- Red, green or amber
- 120VAC or 24 VAC/DC
- Order legend plate separately



Push-to-test indicating lights

- Red, green or amber
- Order legend plate separately



Tools and Accessories

- Legend plates
- Hole plugs
- Bulb tools
- Replacement bulbs



E22 Series Technical Specifications

Cutler-Hammer

Ingress Protection (IP) Rating	
(IP65, IP66 ratings to IEC 529) UL Listed (NEMA) Types 1, 2, 3, 3R, 4, 4X, 12, and 13 when mounted in an enclosure rated for those same applications.	
Electrical Specifications	
Electrical Rating	UL508; UL File E131568. CSA certified class 3211 03, LR 68551. NEMA ICS5-2000: A600, Q600 (refer to page 90). IEC 60947-5-1: AC15, DC13.
Maximum Frequency of Operation	
22mm Pushbuttons	6,000 operations/hour IEC 60947-5-1: AC15, DC13.
Key and Lever Selector Switches	3,000 operations/hour
Twist-to-Release Devices	1,200 operations/hour
Push-Pull Operators	3,000 operations/hour
Mechanical Life	
Pushbutton	5 million operations
Selector Switches	500,000 operations
Push-Pull and Twist-to-Release	300,000 operations
Contact Block	3 million operations
Environmental Specifications	
Operating Temperature	Maximum 60°C at 95% RH, -20 to 60°C (-14 to 140°F), altitude 2000 meters
Storage Temperature	Maximum 60°C at 95% RH, -40 to 80°C (-40 to 176°F)
Vibration	
Vibration	5G/0.7 mm peak-to-peak 10 sweeps, 10-500 Hz
Shock	18G, 18ms
Bump	25G, 6ms for 1,000 cycles
Construction	
Components	Materials
Housing, Bezel, Mounting Rings	Glass-filled nylon
Internal Seal	Nitrate rubber
Panel Gasket	Nitrate rubber
Illuminated Lenses	Polycarbonate
Buttons	Polyester or polycarbonate
Springs	Stainless steel
Contacts	Silver
Terminal Screws/Terminals	Brass
Panel Thickness - mm (inches)	
Nominal	6.8 (0.2) ¹
Aluminum Legend Plates	1.3 (0.05)
Large Yellow Round Legend Plates	1.0 (0.04)
Minimum	1.0 (0.04)
¹ Installation of certain accessories will increase the total (overall) panel thickness by the amount shown. The total panel thickness with all accessories installed cannot exceed the maximum allowable nominal dimensions of 6.8 mm (0.27 in.).	
Wire Specifications	
Minimum/Maximum	18AWG (0.75 mm ²) / 12AWG (2.5 mm ²)
Tightening Torque	7 lb-in

Electrical life

- AC15 durability:
120V, 6A 1 X 10⁶ operations
- DC13 durability:
24V, 8A 0.15 X 10⁶ operations
660V, .1A 0.5 X 10⁶

Logic-level operation

5 VDC, 1mA (minimum recommended)

Contacts feature a pointed surface called "Reliability Nib." The projection penetrates through any oxidation providing unmatched low-level operation without using exotic metals or sealed contacts.

Standards and approvals

- UL listed – UL 508 electrical/environmental;
- UL 486E terminal secureness, File E131568
- CSA Certified – CSA 22.2 #14
- NEMA ICS-1, ICS-2
- IEC 144, 337, 529, 947
- IP65 when mounted in enclosure
- Lloyds No. 4 and 5
- M.T.T.A.
- CE

IEC utilization categories & ratings

AC15
(Control of AC electromagnetic loads)

- 24 volts AC at 10 amps
- 130 volts AC at 6.5 amps

DC13
(Control of DC electromagnetic loads)

- 24 volts DC at 1.5 amps
- 110 volts DC at .5 amps

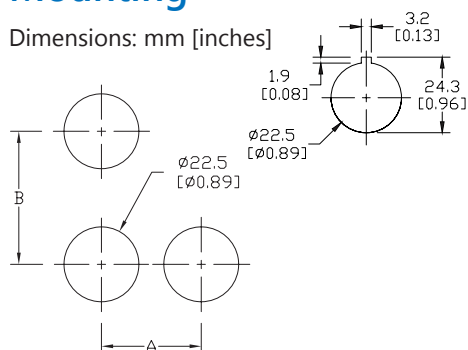


E22 Mounting / NEMA Aux Contact Ratings

Cutler-Hammer

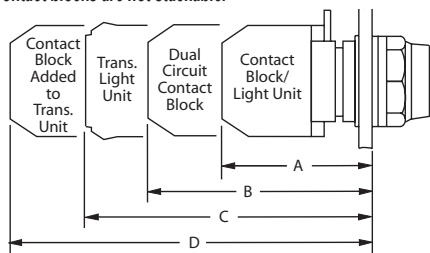
Mounting

Dimensions: mm [inches]



Back-of-panel extensions

Note: This view is to show dimensions only. Contact blocks are not stackable.

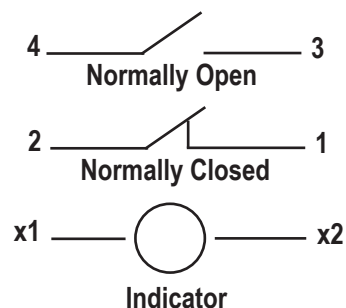


Minimum Spacing — mm [inches]		
Size/Type of Operator	Dimensions	
	A	B
All types up to 30 (1.18) dia. including knob and key operated selector switches — except those listed below	30 (1.18)	50 (1.97)
Three-way adapter		
50 (1.97) dia. operators	55 (2.16)	55 (2.16)
Large yellow round legend plate - 70 (2.76) diameter	75 (2.95)	50 (1.97)

Approximate Dimensions — mm [inches]			
A	B	C	D
Single circuit block — full voltage and resistor units	Dual circuit contact block	Transformer light unit	Transformer light unit and single circuit contact block
Pushbuttons (All Types and Push-Pull)			
51 [2.0]	66 (2.6)	74 (2.91)	94 (3.7)
Key and Knob Selector Switches			
57 [2.2]	72 (2.83)	80 (3.15)	99 (3.9)

Control Circuit Contact Electrical Ratings and Wiring

Typical Wiring



NEMA Mechanical Switching Ratings and Test Values for DC Control Circuit Contacts

Contact Rating Designation	Thermal Continuous Test Current (A)	Maximum Make or Break DC Current (A)			Volt amperes
		125 Volts	250 Volts	301 to 600 Volts	
P300	5.0	1.1	0.55	---	138
P600	5.0	1.1	0.55	0.20	138
Q300	2.5	0.55	0.27	---	69
Q600	2.5	0.55	0.27	0.10	69
R300	1.0	0.22	0.11	---	28

This chart is provided as a guideline only, and the ratings and values are not guaranteed to be accurate. It is the users' responsibility to properly size their control circuit devices. The chart values are from NEMA Standard ICS 5-2000, Table 1-4-2.

NEMA Mechanical Switching Ratings and Test Values for AC Control Circuit Contacts

Contact Rating Designation	Thermal Continuous Test Current (A)	Maximum AC Current, 50/60Hz (A)								Volt amperes	
		120 Volts		240 Volts		480 Volts		600 Volts			
		Make	Break	Make	Break	Make	Break	Make	Break	Make	Break
A300	10	60	6.00	30	3.00	---	---	---	---	7200	720
A600	10	60	6.00	30	3.00	15	1.50	12	1.20	7200	720
B300	5	30	3.00	15	1.50	---	---	---	---	3600	360
B600	5	30	3.00	15	1.50	7.5	0.75	6	0.60	3600	360
C600	2.5	15	1.5	7.5	0.75	3.75	0.375	3.00	0.30	1800	180

This chart is provided as a guideline only, and the ratings and values are not guaranteed to be accurate. It is the users' responsibility to properly size their control circuit devices. The chart values are from NEMA Standard ICS 5-2000, Table 1-4-1.