

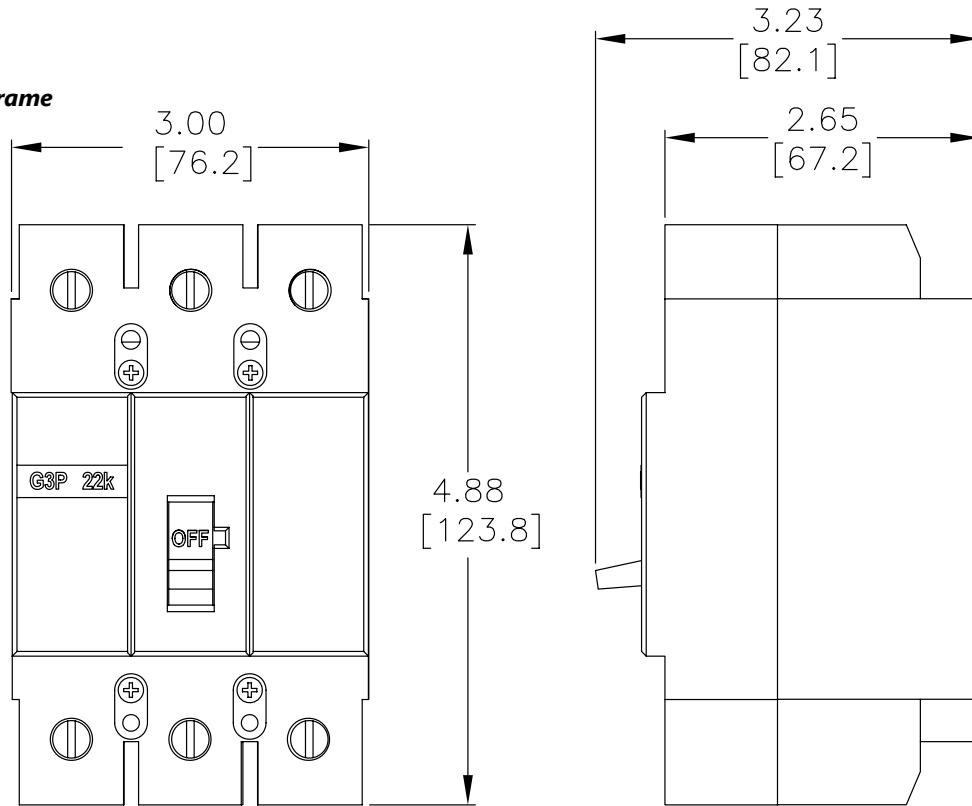
3P Series Molded Case Circuit Breakers

Dimensions

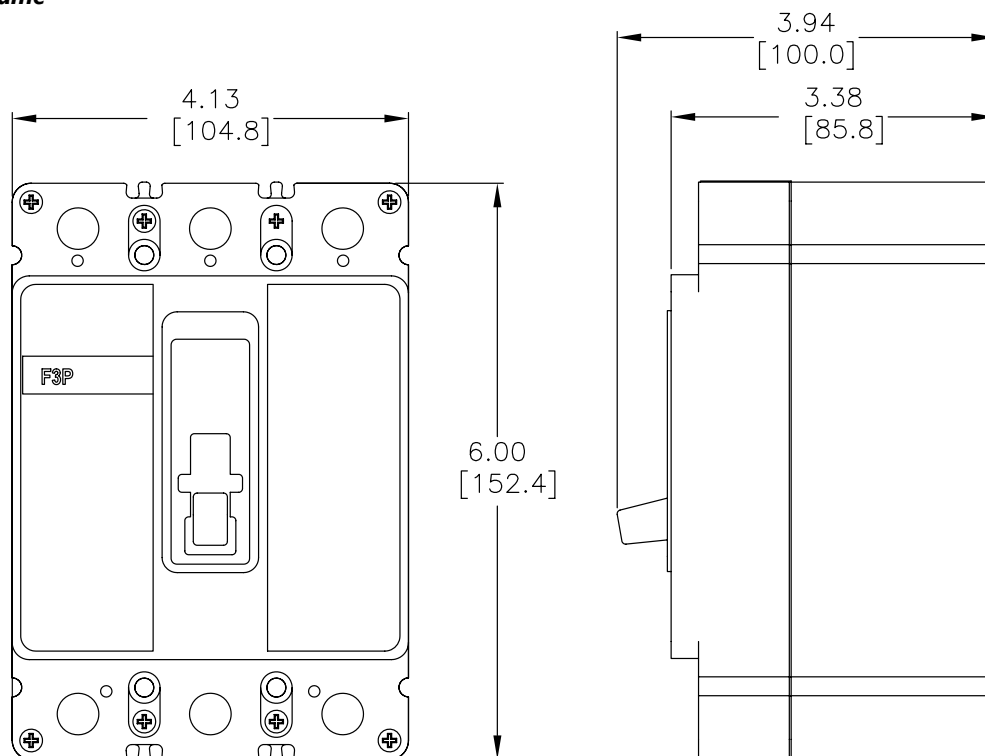
Dimensions

mm [inches]

15 - 100 Amp G-Frame



60 - 225 Amp F-Frame



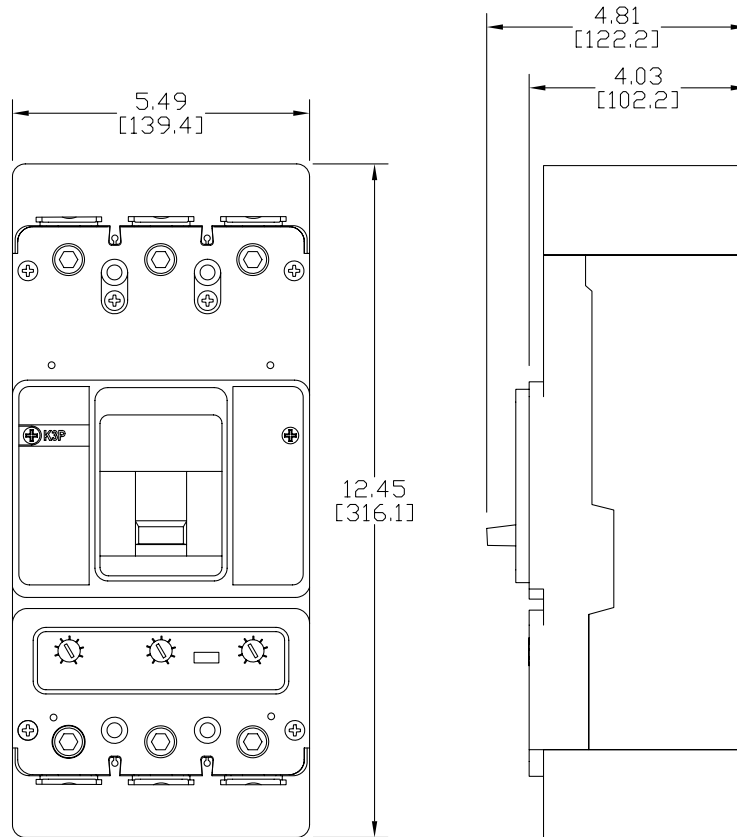
3P Series Molded Case Circuit Breakers

Dimensions

Dimensions

mm [inches]

250 - 400 Amp K-Frame



400 - 600 Amp L-Frame

