

AC Servo Drive Specifications

Servo drive overview

Keypad

Five Function keys:

- MODE: Press to select or change mode
 NEXT: Press to shift left
 UP: Press to increase values
 DOWN: Press to decrease values
 ENTER: Press to enter value

I/O Interface

50-pin connector for interfacing the host controller (such as DirectLOGIC PLC) and other types of I/O signals.

Use our ZIPLink kit which provides DIN-rail mounted screw terminals for easy connection.

- Command inputs:
 - Pulse and Direction Encoder
 - Follower Analog Velocity/Torque
- (8) Digital Inputs
- (5) Digital Outputs
- (2) Analog Monitors
- Encoder Output (scalable)
A+, A-, B+, B-, Z+, Z-

Encoder Interface

20-pin connector for interfacing the servo motor encoder. Use our factory-made and tested cable available in 10, 20, 30 or 60 foot lengths for easy connection.

Serial Communication Interface

6-pin RS-485/422/232 interface to personal computer with SureServo Pro set-up software or host controller with Modbus RTU/ASCII protocol. Use our factory-made cables for easy connection to the PC or the host controller.

LED Display

The LED display has 5 full digits and is used to indicate servo status and alarms

Power On LED

Main power is ON

Control Power Terminal

Single-phase power 230 VAC, 50/60 Hz is connected to L1 and L2

Main Power Terminal

Three-phase power 230 VAC, 50/60 Hz is connected to R, S and T

(Single-phase power 230 VAC 50/60 Hz may be connected to R and S for the low inertia systems)

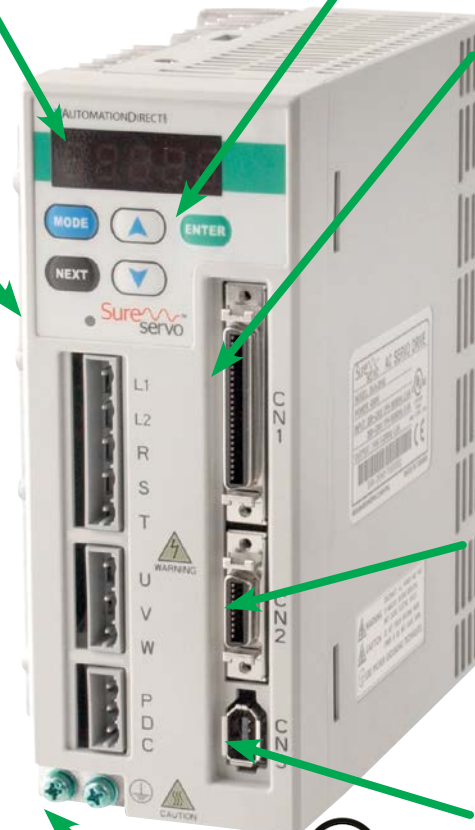
Motor Output Terminal

The servo motor power cable is connected to U, V and W. Use our factory made and tested cables available in 10, 20, 30 or 60 foot lengths for easy connection.

Regenerative Resistor Terminal

1. When the internal regenerative resistor is used, the P and D terminal are connected together while the P and C connection is left open.
2. When an external regenerative resistor is used, it is connected across the P and C terminals while the P and D connection is left open. Use our factory approved resistors for "sure" results.

Ground Terminals



SureServo systems run "out-of-the-box"... but may be reconfigured for many applications!

The SureServo drives are fully digital and include over 165 programmable parameters. For convenience, the parameters are grouped into five categories:

1. Monitor parameters
2. Basic parameters
3. Extended parameters
4. Communication parameters
5. Diagnostic parameters.

All parameters have commonly used default values which allow you to operate the SureServo system "out-of-the-box". However, the programmability and large variety of parameters make the SureServo systems suitable for a very broad range of applications, including almost all types of general purpose industrial machinery such as assembly, test, packaging, machine tool, and robotics.



AC Servo Drive Specifications

Servo drive specifications

General Drive Specifications	
Permissible Frequency	50/60 Hz \pm 5%
Encoder Resolution / Feedback Resolution	2500 lines / 10000 ppr
Control of Main Circuit	SVPWM (Space Vector Pulse Width Modulation) Control
Tuning Modes	Easy / Auto / Manual
Dynamic Brake	Built-in control
Analog Monitor Outputs (2)	Monitor signal can be set by parameters (Output voltage range: \pm 8V; Resolution: 12.8 mV/count)
8 Programmable Digital Inputs (45 selectable functions)	Servo enable, Alarm reset, Gain switching, Pulse counter clear, Fault stop, CW/CCW over-travel Internal parameter selection, Torque limit activation, Velocity limit activation, Control mode selection
Scalable Encoder Output	Encoder signal output A, /A, B, /B, Z /Z, Line Driver
5 Programmable Outputs (9 selectable indicators)	Servo ready, Servo On, Low velocity, Velocity reached, In Position, Torque limiting, Servo fault, Electromagnetic brake control, Home search completed
Communication Interface	RS-232 / RS-485 / RS-422 / Modbus ASCII & RTU up to 115k Baud
Protective Functions	Overcurrent, Overvoltage, Undervoltage, Overload, Excessive velocity/position error, Encoder error, Regeneration error, Communication error
Installation Site	Indoor location (free from direct sunlight), no corrosive liquid and gas (far away from oil mist, flammable gas, dust)
Altitude	1000m [3281 ft] above sea level – maximum
Operating Temperature	0 to 55 °C [32 to 131 °F] (If operating temperature is above 55°C, forced cooling is required). For long-term reliability, the ambient temperature of SureServo systems should be under 45°C (113°F).
Storage Temperature	-20° to 65°C (-4° to 149°F)
Humidity	0 to 90% (non-condensing)
Vibration	9.81 m/s ² (1G) less than 20Hz, 5.88 m/s ² (0.6G) 20 to 50 Hz
Protection	IP 20
Agency Approvals	CE; UL Certified (U.S. and Canada)



AC Servo Drive Specifications

Servo drive specifications (continued)

Model and Mode Specific Drive Specifications									
AC Servo Model		SVA-2040			SVA-2100			SVA-2300	
Price		Retired			Retired			Retired	
Voltage Phase		Single-phase or Three-phase						Three-phase	
Voltage and Frequency Range		3-phase: 170~255 VAC @ 50/60 Hz ±5%; 1-phase: 200~255 VAC @ 50/60 Hz ±5%						170~255 VAC @ 50/60 Hz ±5%	
Main Circuit Input Current	Single Phase	3.4A @ 400W			8.0A @ 1kW			-	
	Three Phase	2.6A @ 400W			6.2A @ 1kW			13.6A @ 3kW	
Main Circuit Inrush Current		44A			77A			87A	
Main Circuit Power Cycling		Maximum 1 power cycle per minute							
Control Circuit Current and Voltage		43 mA @ 200~255 VAC, 1 phase							
Control Circuit Inrush Current		32A maximum							
Cooling System		Natural Air Circulation				Internal Cooling Fan			
Drive Heat Loss *	Motor driven *	SVL-201(B)	SVL-202(B)	SVL-204(B)	SVL-207(B)	SVL-210(B)	SVM-210(B)	SVM-220(B)	SVM-230(B)
	Heat Loss	12W	15W	20W	35W	45W	50W	75W	80W
Weight		1.5 kg [3.3 lb]			2kg [4lb]			3kg [7lb]	
Position Control Mode	Max. Input Pulse Frequency		Max. 500 kpps (Line driver); Max. 200 kpps (Open collector)						
	Pulse Type		Pulse + Direction, A phase + B phase Quadrature, CCW pulse + CW pulse						
	Command Source		External pulse train / Onboard indexer						
	Smoothing Strategy		Low-pass and P-curve filter						
	Electronic Gear		Electronic gear N/M multiple; N: 1~32767, M: 1~32767(1/50<N/M<200)						
	Torque Limit Operation		Set by parameters or by analog input						
	Feed Forward Compensation		Set by parameters						
Velocity Control Mode	Analog Input Command	Voltage Range		Bipolar ±10 VDC					
		Input Resistance		10 k					
		Time Constant		2.2 μs					
		Resolution		(Varies with input voltage) 13 bits @ 0V~1V; 13~10 bits @ 1V~2V; 10 bits @ 2V~10V					
	Speed Control Range		1:5000						
	Command Source		External analog signal / Onboard indexer						
	Smoothing Strategy		Low-pass and S-curve filter						
	Torque Limit Operation		Set by parameters or via analog input						
	Frequency Response Characteristic		Maximum 450 Hz						
	Speed Accuracy (at rated rotation speed)		0.01% or less at 0 to 100% load fluctuation 0.01% or less at ±10% power fluctuation 0.01% or less at 0 to 50°C ambient temperature fluctuation						
Torque Control Mode	Analog Input Command	Voltage Range		Bipolar ±10 VDC					
		Input Resistance		10 kΩ					
		Time Constant		2.2 μs					
		Resolution		10 bits					
	Permissible Time for Overload		8 sec. under 200% rated output						
	Command Source		External analog signal / Onboard indexer						
	Speed Limit Operation		Set by parameters or via analog input						

* Drive heat loss varies depending upon which motor is connected to the drive.



AC Servo Motor Specifications

Servo motor overview

Motor Power and Brake Connector

1-foot cable with 6-position connector (Not liquid tight)

750W and below

Encoder Connector

1-foot cable with 9-position connector (Not liquid tight)



Without Shaft Seal

(not liquid tight)

IP65 Housing

Low Inertia Motors

- 100W 40 mm flange
- 200W 60 mm flange
- 400W 60 mm flange
- 750W 80 mm flange

Keyless Shafts

- 100W 8 mm diameter
- 200W 14 mm diameter
- 400W 14 mm diameter
- 750W 19 mm diameter

All SureServo motors have keyless shafts for use with servo-grade clamp or compression couplings.

Motor Power and Brake Connector

(Liquid tight when using AutomationDirect cables)

Encoder Connector

(Liquid tight when using AutomationDirect cables)

1 kW and above

Low and Medium Inertia Motors

- Low Inertia Model
- 1 kW 100 mm flange
- Medium Inertia Models
- 1 kW 130 mm flange
 - 2 kW 180 mm flange
 - 3 kW 180 mm flange

IP65 Housing

Keyless Shafts

- Low Inertia Model
- 1 kW 22 mm diameter
- Medium Inertia Models
- 1 kW 22 mm diameter
 - 2 kW 35 mm diameter
 - 3 kW 35 mm diameter

With Shaft Seal

(liquid tight)





AC Servo Motor Specifications

Motor Specifications												
Inertia Range		Low					Medium					
Model Name: Sxx-xxx		SVL-201	SVL-202	SVL-204	SVL-207	SVL-210	SVM-210	SVM-220	SVM-230			
Price		Retired	Retired	Retired	Retired	Retired	Retired	\$1,000.00	Retired			
Model with brake: Sxx-xxxB		SVL-201B	SVL-202B	SVL-204B	SVL-207B	SVL-210B	SVM-210B	SVM-220B	SVM-230B			
Price		Retired	\$699.00	Retired	Retired	\$1,103.00	Retired	\$1,367.00	\$1,741.00			
Rated output power	W	100	200	400	750	1000	1000	2000	3000			
Rated torque	N·m	0.32	0.64	1.27	2.39	3.3	4.8	9.4	14.3			
	lb·in	2.8	5.7	11.2	21.2	29.2	42.5	83.2	126.6			
Maximum torque	N·m	0.95	1.91	3.82	7.16	9.9	15.7	23.5	35.8			
	lb·in	8.4	16.9	33.8	63.4	87.6	138.9	208.0	316.8			
Rated speed	rpm	3000					2000					
Max. speed	rpm	5000			4500		3000					
Rated current	A	1.1	1.7	3.3	5.0	6.8	5.6	13.1	17.4			
Max. current	A	3.0	4.9	9.3	14.1	18.7	17.6	31.4	42.3			
Drive input current	1 phase A	1.0	1.7	3.4	5.9	8.0	8.0	-	-			
	3 phase A	0.8	1.3	2.6	4.7	6.2	6.2	9.1	13.6			
Max. radial shaft load	N	78.4	196		343	490		784				
	lb	18	44		77	110		176				
Max. thrust shaft load	N	39.2	68.6		98			392				
	lb	9	15		22			88				
Brake	Voltage	VDC										
	Current	ADC		0.21		0.38		0.4		0.75		
	Holding Torque	N·m	0.32		1.27		2.55		9.3		7.5	
		lb·in	2.83		11.24		22.57		82.3		66.38	
Rotor inertia w/o brake	kg·m ²	0.03E-4	0.18E-4	0.34E-4	1.08E-4	2.6E-4	5.98E-4	15.8E-4	43.3E-4			
	lb·in·s ²	0.27E-4	1.59E-4	3.0E-4	9.56E-4	23.0E-4	52.9E-4	139.8E-4	383.2E-4			
Rotor inertia with brake	kg·m ²	0.06E-4	0.28E-4	0.44E-4	1.32E-4	3.1E-4	8.8E-4	27.8E-4	56.3E-4			
	lb·in·s ²	0.53E-4	2.48E-4	3.9E-4	11.7E-4	27.4E-4	77.9E-4	246.0E-4	498.3E-4			
	ms	0.6	0.9	0.7	0.6	1.7	1.4	1.6	0.9			
Static friction torque	N·m	0.02	0.04		0.08	0.49	0.29	0.98				
Torque constant-KT	N·m/A	0.32	0.39	0.4	0.5	0.56	0.91	0.77	0.86			
Voltage constant-KE	V/rpm	33.7E-3	41.0E-3	41.6E-3	52.2E-3	58.4E-3	95.71E-3	81.1E-3	90.5E-3			
Armature resistance	Ω	20.3	7.5	3.1	1.3	2.052	1.98	0.6	0.162			
Armature inductance	mH	32	24	11	6.3	8.4	13.2	6.1	2.3			
Electrical time constant	ms	1.6	3.2	3.2	4.8	4.1	6.7	10.1	14.2			
Motor Type	Brushless, AC, permanent magnet [Neodymium (Nd), Iron (Fe), Boron (B)]											
Insulation class	Class F											
Insulation resistance	>100 MΩ, 500 VDC											
Insulation strength	1500 VAC, 50 Hz, 60 seconds											
Ambient temperature range	0 to 40°C (32°F to 104°F)											
Operating temperature (measured case temperature)	70°C (158°F)											
Maximum operating temperature (measured case temperature)	70°C + 40°C = 110°C (230°F)											
Storage temperature	-20 to 65°C (-4 to 149°F)											
Operating humidity	20 to 90% RH (non-condensing)											
Storage humidity	20 to 90% RH (non-condensing)											
Vibration / Shock	2.5G / 5.0G											
Environmental rating	IP65 motor body; IP40 shaft; IP20 connector					IP65 (requires SureServo cables)						
Weight without brake	kg	0.5	0.9	1.3	2.5	4.7	4.8	12.0	17.0			
	lb	1.1	1.98	2.87	5.5	10.36	10.58	26.46	37.48			
Weight with brake	kg	0.7	1.4	1.8	3.4	6.3	7.5	19.0	24.0			
	lb	1.54	3.09	3.97	7.5	13.89	16.53	41.89	52.9			
Agency Approvals	CE; UL recognized (U.S. and Canada)											

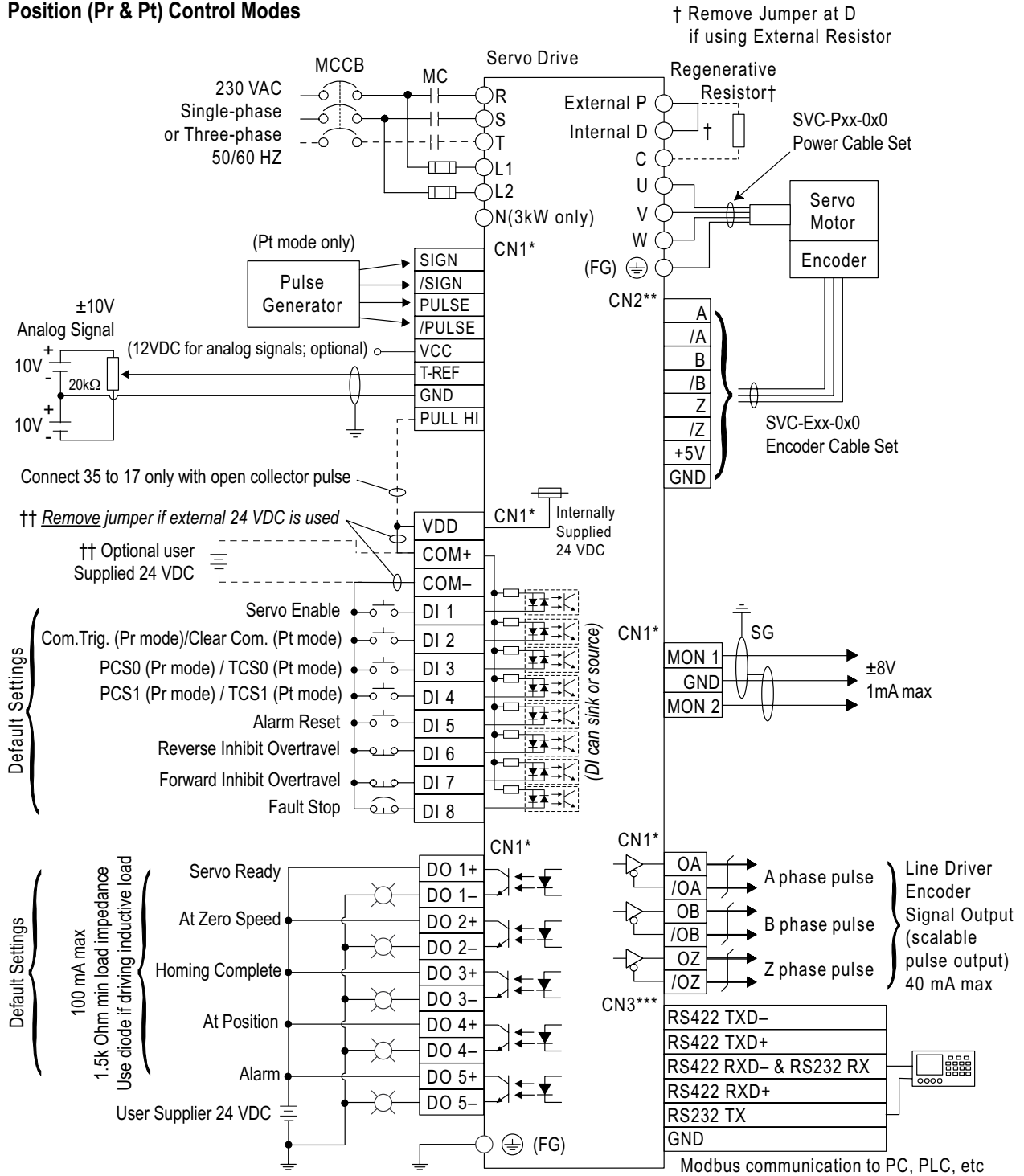
NOTE: U.S. customary units are for reference only.

Standard wiring examples



This wiring diagram shows basic wiring only, and additional wiring configurations are possible for some I/O. Refer to the "Installation and Wiring" chapter of the User Manual for more detailed wiring information.

Position (Pr & Pt) Control Modes



* Use connection kit part #s ZL-RTB50 & ZL-SVC-CBL-50(-x) for CN1 terminal connections.
 ** Use cable part # SVC-Exx-0x0 for CN2 terminal connections.
 *** Use cable part # SVC-MDCOM-CBL for CN3 terminal Modbus network connections.



AC Servo System Wiring

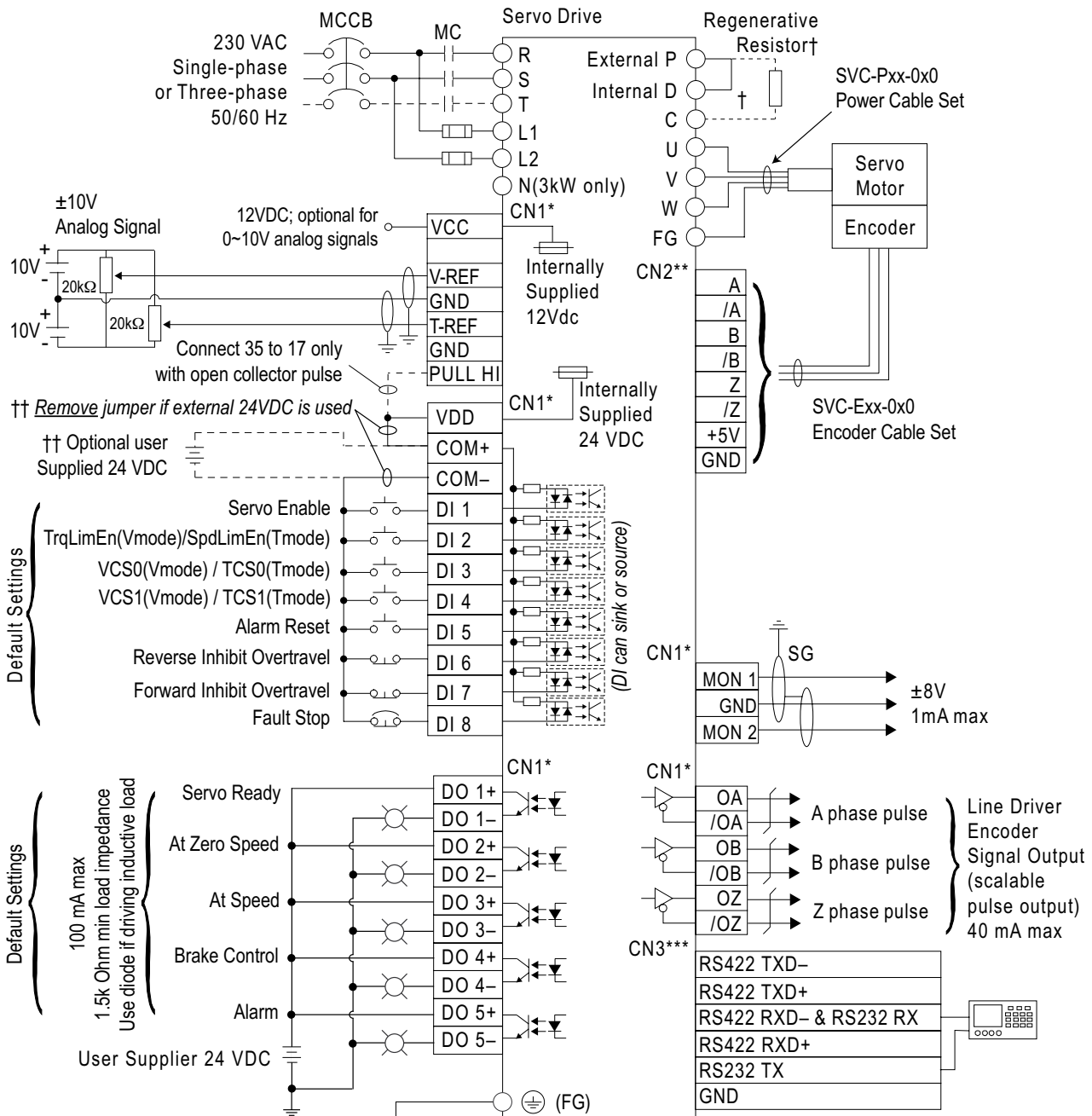
Standard wiring examples (continued)



This wiring diagram shows basic wiring only, and additional wiring configurations are possible for some I/O. Refer to the "Installation and Wiring" chapter of the User Manual for more detailed wiring information.

Velocity and Torque Control Modes

† Remove Jumper at D if using External Resistor



* Use connection kit part #s ZL-RTB50 & ZL-SVC-CBL-50(-x) for CN1 terminal connections.

** Use cable part # SVC-Exx-0x0 for CN2 terminal connections.

*** Use cable part # SVC-MDCOM-CBL for CN3 terminal Modbus network connections.



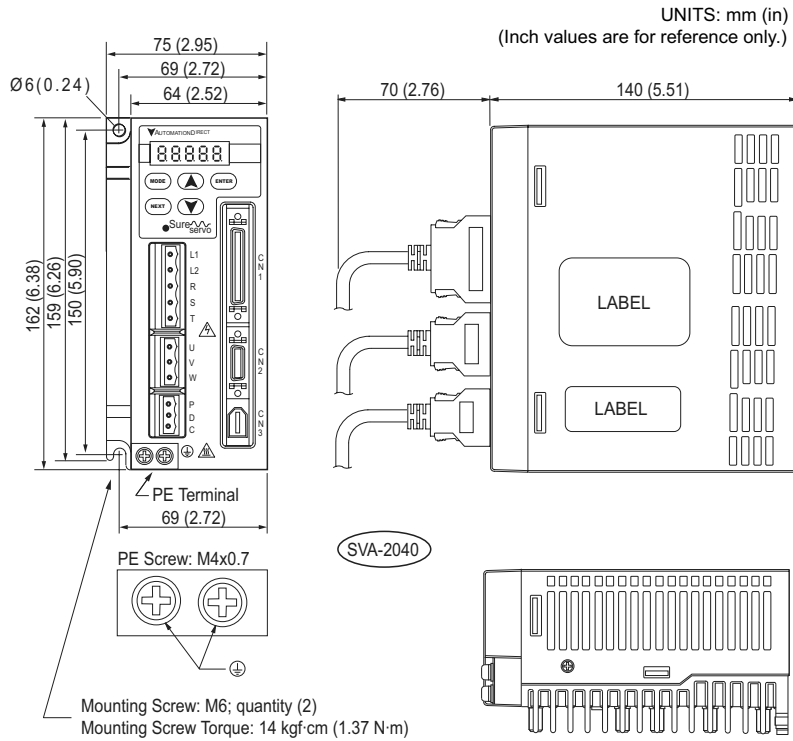
AC Servo System Dimensions

Servo drive dimensions

SVA-2040



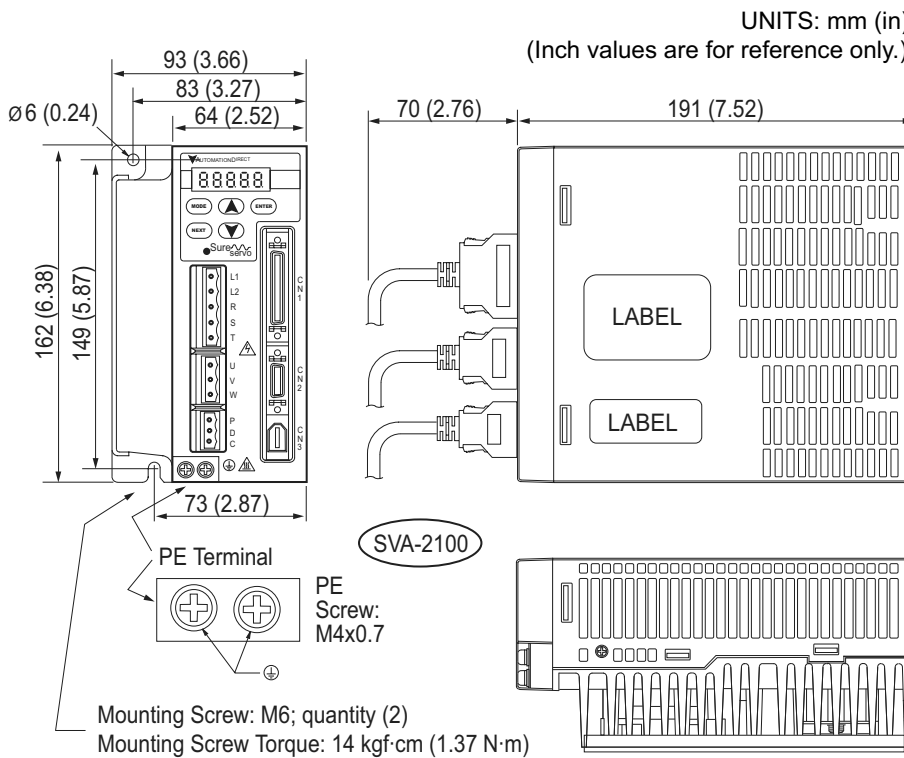
Recommended user supplied mounting screw is M6.
Tighten to 14 kgf-cm (1.37 N-m).



SVA-2100



Recommended user supplied mounting screw is M6.
Tighten to 14 kgf-cm (1.37 N-m).





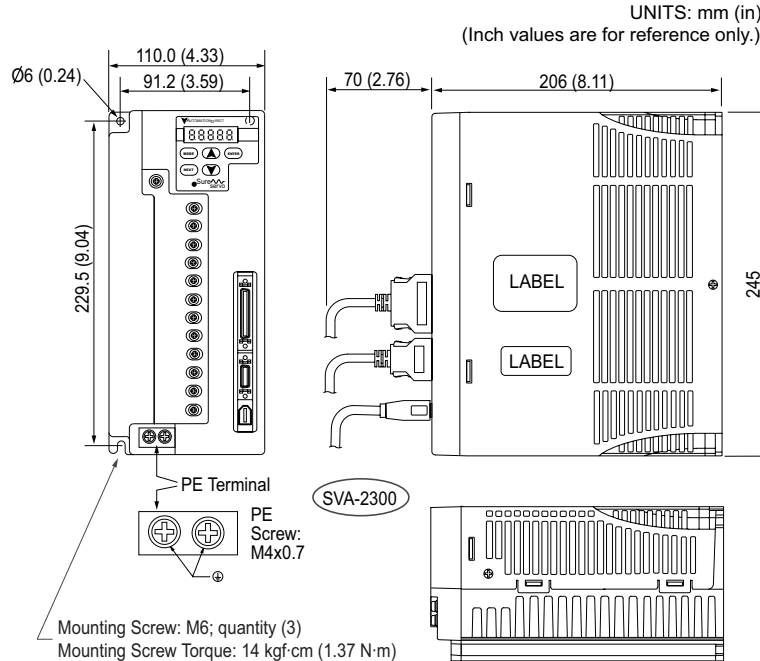
AC Servo System Dimensions

Servo drive dimensions (continued)

SVA-2300

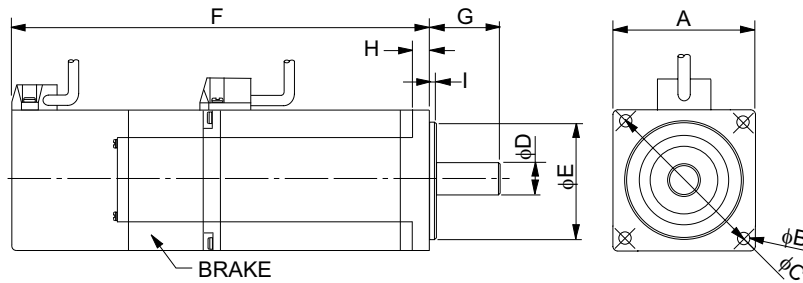


Recommended user supplied mounting screw is M6. Tighten to 14 kgf-cm (1.37 N-m).



Servo motor dimensions

Low inertia models **SVL-201(B)**, **SVL-202(B)**, **SVL-SVL-204(B)**, **SVL-207(B)**



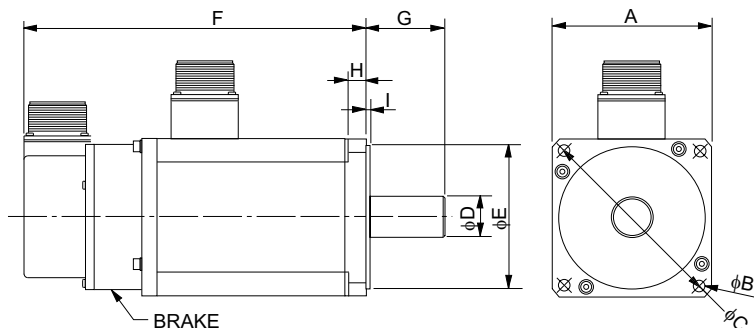
SureServo® Motor Dimensions – 100W-750W Low Inertia				
Dimension	SVL-201(B)	SVL-202(B)	SVL-204(B)	SVL-207(B)
A	40 [1.575]	60 [2.362]	80 [3.15]	
B	4.5 [0.1772]	5.5 [0.2165]	6.6 [0.2598]	
C	46 [1.811]	70 [2.756]	90 [3.543]	
D	8 +0.0/-0.009 (8h6)	14 +0.0/-0.011 (14h6)	19 +0.0/-0.013 (19h6)	
E	30 +0.0/-0.021 (30h7)	50 +0.0/-0.025 (50h7)	70 +0.0/-0.030 (70h7)	
F (w/o brake)	100.1 [3.941]	102.4 [4.032]	124.4 [4.898]	135 [5.315]
F (with brake)	135.7 [5.343]	137 [5.394]	159 [6.26]	171.6 [6.756]
G	25 [0.98]	30 [1.18]	35 [1.38]	
H	5 [0.197]	6 [0.236]	8 [0.315]	
I	2.5 [0.098]	3 [0.118]		
Cable length	300mm (12 inches)			

UNITS: mm [in]. (Inches are for reference only; not included on diameter dimensions for accuracy.)

AC Servo System Dimensions

Servo motor dimensions (continued)

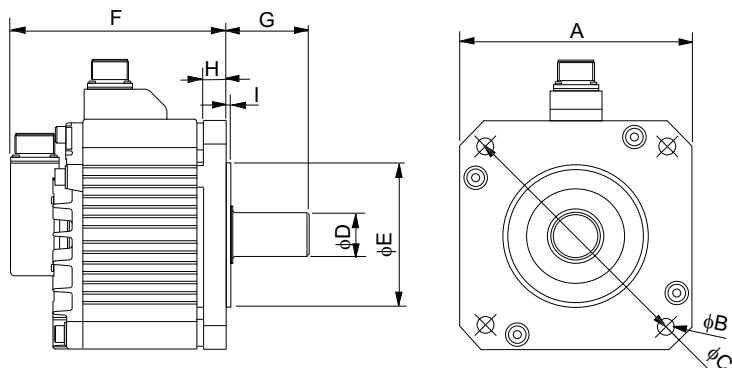
Low inertia models SVL-210(B)



SureServo® Motor Dimensions -1000W Low Inertia	
Dimension	SVL-210(B)
A	100 [3.937]
B	9 [0.3543]
C	115 +0.2/-0.2 [4.528]
D	22 +0.0/-0.013 (22h6)
E	95 +0.0/-0.035 (95h7)
F (w/o brake)	158 [6.22]
F (with brake)	190 [7.48]
G	45 [1.77]
H	17 [0.669]
I	7 [0.28]

UNITS: mm [in] (Inches are for reference only; not included on diameter dimensions for accuracy.)

Medium inertia models SVM-210(B), SVM-220(B), SVM-230(B)



SureServo® Motor Dimensions -1000W-3000W Medium Inertia			
Dimension	SVM-210(B)	SVM-220(B)	SVM-230(B)
A	130 [5.118]	180 [7.087]	
B	9 [0.3543]	13.5 [0.5315]	
C	145 +0.2/-0.2 [5.709]	200 +0.2/-0.2 [7.874]	
D	22 +0.0/-0.013 (22h6)	35 +0.0/-0.016 (35h6)	
E	110 +0.0/-0.035 (110h7)	114.3 +0/-0.035 (114.3h7)	
F (w/o brake)	143 [5.63]	164 [6.457]	212 [8.35]
F (with brake)	181 [7.126]	213 [8.386]	258 [10.16]
G	55 [2.17]	75 [2.95]	
H	15 [0.591]	20 [0.787]	
I	4 [0.157]		

UNITS: mm [in] (Inches are for reference only; not included on diameter dimensions for accuracy.)



AC Servo System Accessories

Accessories

External Regeneration Resistors

Use external resistors to provide additional regenerative capacity and to dissipate heat away from the servo drive.

Part Number	Resistance	SureServo Drives	Price
GS-25P0-BR	40Ω	SVA-2040	\$49.50
GS-2010-BR-ENC	20Ω	SVA-2100, SVA-2300	\$344.00



Resistor GS-25P0-BR

AC Line Filters

Input EMI filters reduce electromagnetic interference or noise on the input side of the servo drive. They are required for CE compliance and recommended for installations prone to or sensitive to electromagnetic interference.

SureServo® Drives	AC Input Power	EMI Filter Rating	EMI Filter Part Number	Price
SVA-2040	Single-Phase	250V, 1-phase, 20A	20DRT1W3S	\$73.00
	Three-Phase	250V, 3-phase, 10A	10TDT1W4C	\$85.00
SVA-2100	Single-Phase	250V, 1-phase, 20A	20DRT1W3S	\$73.00
	Three-Phase	250V, 3-phase, 10A	10TDT1W4C	\$85.00
SVA-2300	Three-Phase	250V, 3-phase, 26A	26TDT1W4C	\$114.00



AC Line Filter 10TDT1W4C



Note: These EMI Filters are electrically compatible with the SureServo drives. However, they are intended to be mounted next to the servo drive. Do not mount the filter under the drive. The drive mounting holes on these units are intended to be used only with AutomationDirect's line of VFDs.

Edison Fuses & Fuji Contactors

SureServo® Drives	Input Type	Input Voltage	Edison Fuse - Class CC	Price*	Contactor**	Price
SVA-2040	Main Input Power	230V 3-Phase	HCTR4	\$173.00	SC-E02-xxx	varies
SVA-2100			HCTR7-5	\$193.00	SC-E03-xxx	varies
SVA-2300			HCTR15	\$163.00	SC-E04-xxx	varies
SVA-2040	Main Input Power	230V 1-phase	HCTR4	\$173.00	SC-E02-xxx	varies
SVA-2100			HCTR10	\$173.00	SC-E03-xxx	varies
SVA-2040 SVA-2100 SVA-2300	Control Input Power	230V 1-phase	HCTR2-5	\$178.00		

* Fuses are sold in packages of 10.

** Note: For contactors, xxx = coil voltage (for example, SC-E02P-220VAC).



Fuji Contactor SC-E02-xxx



Edison Fuse HCTRx

SureServo Connector Kit (replacement)

This kit contains replacement input, output, and brake connectors for SureServo drives.

Part Number	Description	SureServo Drives	Price
SVA-CON-1	SureServo connector kit, replacement, includes (1) input power connector, (1) output power connector and (1) brake resistor connector.	SVA-2040 SVA-2100	\$22.00

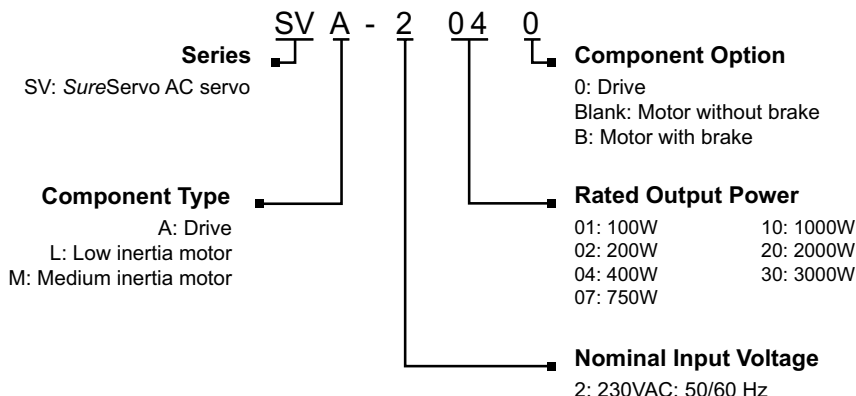


SVA-CON-1



AC Servo System Configuration

SureServo series drives and motors part numbering system



Here is what you will need to order a complete servo system:



NOTE: Unit can be programmed via keypad.
Optional programming software (free download) and optional programming cable available.



NOTE: If you need a gear box for your configuration, you can do it easily online:
<http://www.sureservo.com/gearbox-selector>



SureServo AC servo drive, motor, and cable combinations

Inertia & Power		Drive and Motor			Power Cables (from Drive to Motor)				Encoder Feedback Cables				Miscellaneous	
Inertia	Power	Servo Drive	Servo Motor without brake (note)	Servo Motor with brake (note)	10 ft	20 ft	30 ft	60 ft	10 ft	20 ft	30 ft	60 ft	ZIPLink I/O Interface	RS-422/485 Serial Communication Cable
Low inertia	100W	SVA-2040	SVL-201	SVL-201B	SVC-PFL-010	SVC-PFL-020	SVC-PFL-030	SVC-PFL-060	SVC-EFL-010	SVC-EFL-020	SVC-EFL-030	SVC-EFL-060	ZL-RTB50 and ZL-SVC-CBL50 or ZL-SVC-CBL50-1 or ZL-SVC-CBL50-2	SVC-MDCOM-CBL
	200W		SVL-202	SVL-202B										
	400W		SVL-204	SVL-204B										
	750W		SVL-207	SVL-207B										
	1000W		SVL-210	SVL-210B										
Medium inertia	1000W	SVA-2100	SVM-210	SVM-210B	SVC-PHM-010	SVC-PHM-020	SVC-PHM-030	SVC-PHM-060	SVC-EHH-010	SVC-EHH-020	SVC-EHH-030	SVC-EHH-060	ZL-SVC-CBL50 or ZL-SVC-CBL50-1 or ZL-SVC-CBL50-2	SVC-MDCOM-CBL
	2000W	SVA-2300	SVM-220	SVM-220B	SVC-PHH-010	SVC-PHH-020	SVC-PHH-030	SVC-PHH-060						
	3000W	SVM-230	SVM-230B	SVC-PHH-010	SVC-PHH-020	SVC-PHH-030	SVC-PHH-060							

Note: Each servo motor requires an encoder feedback cable and a power cable.
The motor power cable includes brake power wires for the optional motor brake.