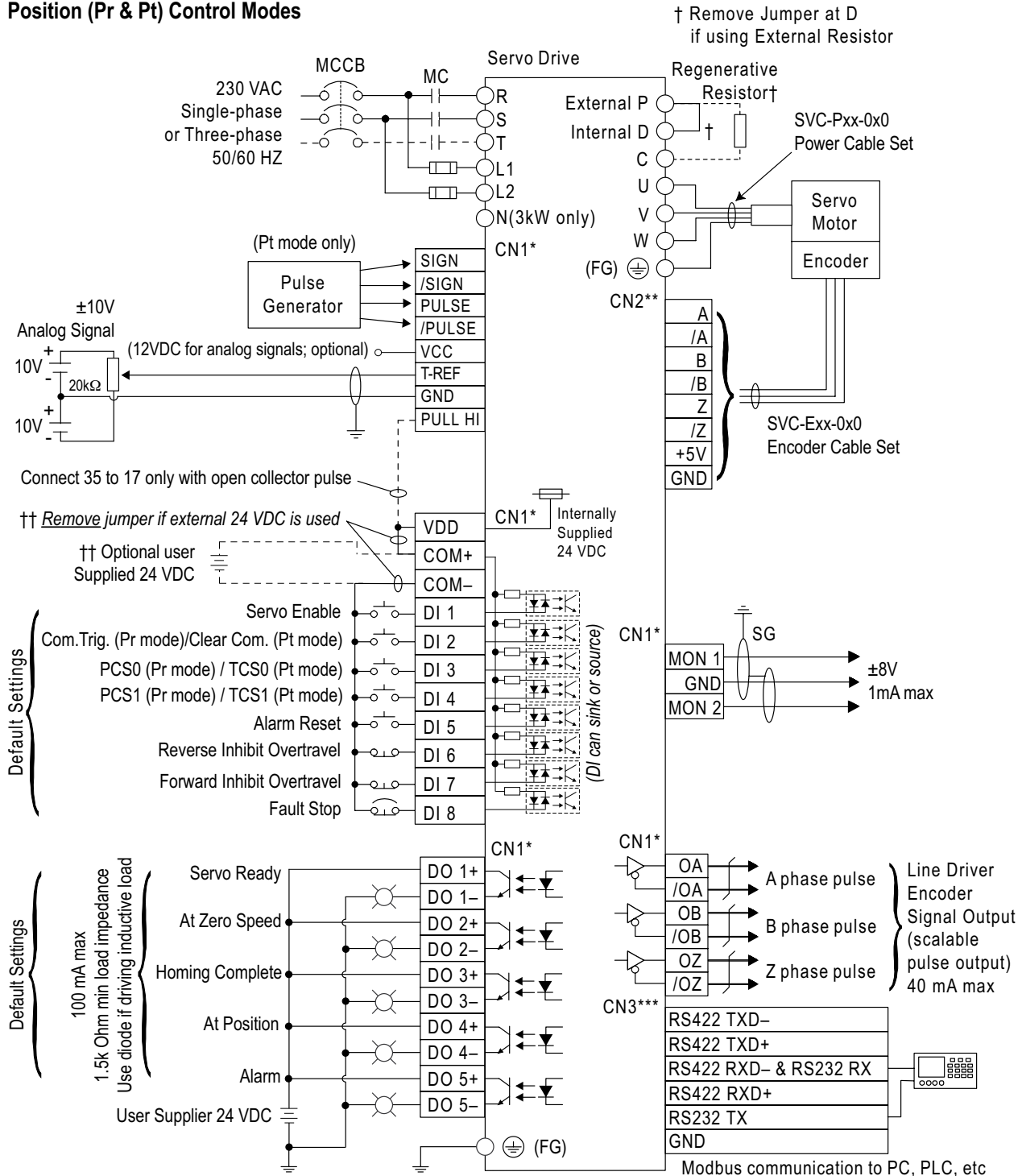


## Standard wiring examples



This wiring diagram shows basic wiring only, and additional wiring configurations are possible for some I/O. Refer to the "Installation and Wiring" chapter of the User Manual for more detailed wiring information.

### Position (Pr & Pt) Control Modes



\* Use connection kit part #s ZL-RTB50 & ZL-SVC-CBL-50(-x) for CN1 terminal connections.

\*\* Use cable part # SVC-Exx-0x0 for CN2 terminal connections.

\*\*\* Use cable part # SVC-MDCOM-CBL for CN3 terminal Modbus network connections.

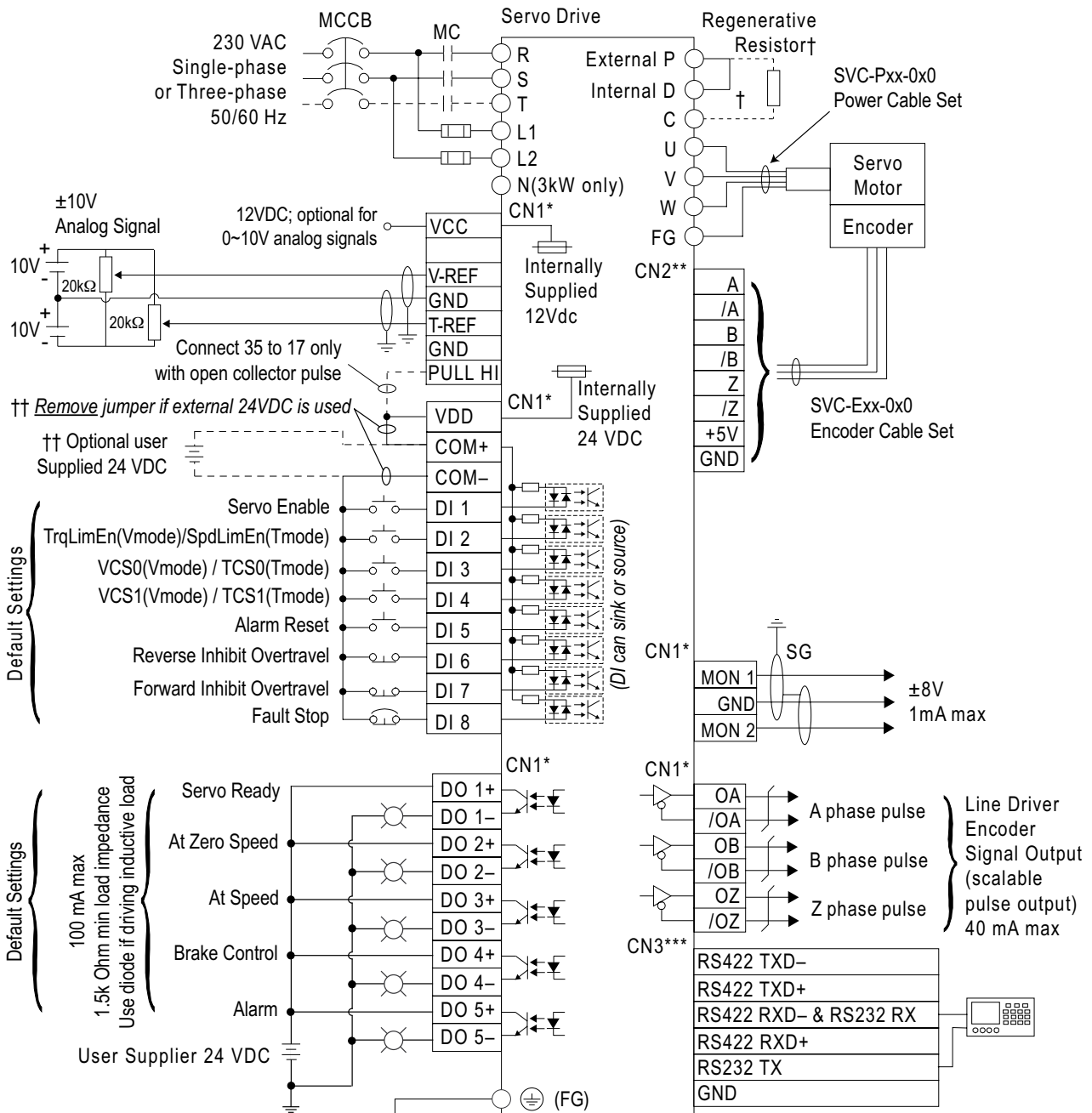
## Standard wiring examples (continued)



This wiring diagram shows basic wiring only, and additional wiring configurations are possible for some I/O. Refer to the "Installation and Wiring" chapter of the User Manual for more detailed wiring information.

### Velocity and Torque Control Modes

† Remove Jumper at D if using External Resistor



\* Use connection kit part #s ZL-RTB50 & ZL-SVC-CBL-50(-x) for CN1 terminal connections.

\*\* Use cable part # SVC-Exx-0x0 for CN2 terminal connections.

\*\*\* Use cable part # SVC-MDCOM-CBL for CN3 terminal Modbus network connections.