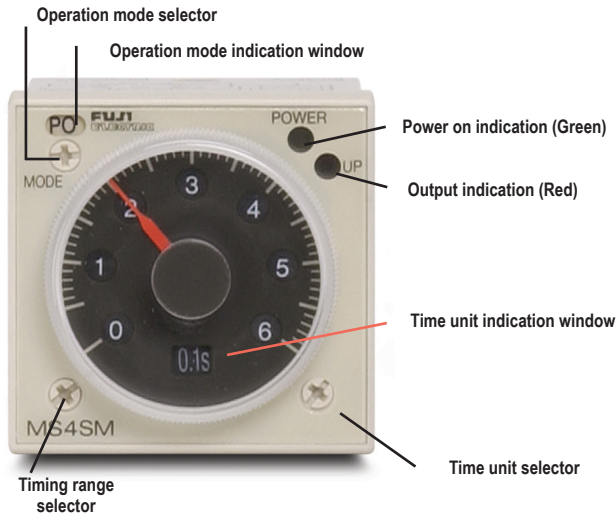


Timers for all Applications



Fuji multi-mode timers with full features

Ease of use: As the time range is adjusted, the corresponding display changes.

Full functionality: Up to four output modes can be selected simply with the turn of a screw. All outputs contain 5A, DPDT relays.

LED indicators



Miniature DIN timers are small and accurate

Small size: Under one inch wide.

Easy operation: A simple dial allows easy setup for the operator.

Accuracy: The timer will perform its timing function with repeatable accuracy of +/- 1% of the setting.

Koyo digital timers: powerful but easy to use




This full-function timer has all the bells and whistles, including full programmability:

Timing ranges and modes: Seconds to hours time ranges with decimal selection and up and down timing modes accommodate a wide range of applications.

Output modes: Five output modes, from on-delay to one-shot, use a reliable 2A relay to operate the controlled device.

Tamper-proof: Key protection can be set for individual keys to prevent unintentional changes by the operator.



	ST7P Series	MS4S Series	KT-V4S Series
			
Display	Manual dial Time setting Output LED indicator	Manual dial Time setting Power LED indicator Output LED indicator Output mode setting	4-digit green LED display for time setting 4-Digit red LED display for current time Output LED indicator Programming indicators
Input Power	100-120 VAC or 24 VDC	100-240 VAC or 24 VDC/AC	85-260 VAC or 10-26 VDC
Inputs	Timed signal	Reset signal Start signal Gate signal Timed signal	Start signal Reset signal Timed signal
Outputs	Normally-open DPDT Normally-closed DPDT	Normally-open DPDT Normally-closed DPDT	1 SPDT DC NPN transistor
Contact Rating	3 A @ 240 VAC (resistive load)	5 A @ 250 VAC (resistive load)	Mechanical: 2 A @ 220 VAC Transistor: 100 mA @ 24 VDC
Output Modes	On-delay	On-delay Flicker One shot Off-delay	On-delay Flicker One shot Off-delay Accumulation
Time Ranges	0.4 seconds to 60 minutes	0.05 seconds to 60 hours	0.001 seconds to 999.9 hours
Enclosure Rating	NEMA 1	NEMA 1	IP65 - faceplate
Agency Approvals	UL/CSA/CE/TUV	UL/CSA/CE/TUV	UL/CSA/CE

Fuji 1/16 DIN Super Timers

Overview

The MS4S series super timers are 1/16 DIN style timing relays designed for process control, machine tool control, safety control and many other types of applications. The timers are plug-in 8-pin or 11-pin surface/DIN-rail mountable with up to four selectable modes of operation and four selectable timing ranges.



MS4SM Series

- Multi-mode timer with mode indication. On-delay (PO), flicker (FL), one-shot (OS), or signal off-delay (SF)
- 11-pin plug-in with start, reset and gate (interrupt) input signals and a DPDT contact output
- Timing range from 0.05 seconds to 60 hours
- Timer scale with selectable ranges of 0-6, 0-12, 0-30 and 0-60
- Timing units in selectable ranges of 0.1s, sec, min and hrs
- Power on LED indicator (green) flickers during timing operation, UP (red) LED is on when normally open contact is closed

MS4SA Series

- On-delay timer
- 8-pin plug-in with a DPDT contact output
- Timing range from 0.05 seconds to 60 hours
- Timer scale with selectable ranges of 0-6, 0-12, 0-30 and 0-60s

- Timing units in selectable ranges of 0.1s, sec, min and hrs
- Power on LED indicator (green) flickers during timing operation, UP (red) LED is on when normally open contact is closed

MS4SC Series

- On-delay timer
- 8-pin plug-in with a SPDT timed contact output and a SPDT instantaneous contact output
- Timing range from 0.05 seconds to 60 hours
- Timer scale with selectable ranges of 0-6, 0-12, 0-30 and 0-60
- Timing units in selectable ranges of 0.1s, sec, min and hrs
- Power on LED indicator (green) flickers during timing operation, UP (red) LED is on when normally open contact is closed

Fuji 1/16 DIN Super Timers Selection Chart

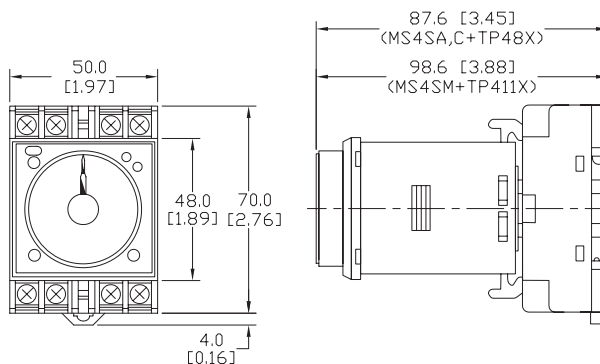
Part Number	Price	Description	Time Range
MS4SM-AP-ADC*	\$60.00	Fuji Electric multi-mode relay timer, 0.05 seconds to 60 hours selectable timing range, 100-240 VAC operating voltage, 5A contact rating, (1) DPDT timed relay output(s), socket mount, 11-pin. Requires Fuji Electric TP411X or TP411SBA timer socket.	0.05 seconds to 60 hours
MS4SA-AP-ADC	\$60.00	Fuji Electric on-delay relay timer, 0.05 seconds to 60 hours selectable timing range, 100-240 VAC operating voltage, 5A contact rating, (1) DPDT timed relay output(s), socket mount, 8-pin. Requires Fuji Electric TP48X or TP48SB timer socket.	0.05 seconds to 60 hours
MS4SC-AP-ADC*	\$60.00	Fuji Electric on-delay relay timer, 0.05 seconds to 60 hours selectable timing range, 100-240 VAC operating voltage, 5A contact rating, (1) SPDT timed relay and (1) SPDT instant relay output(s), socket mount, 8-pin. Requires Fuji Electric TP48X or TP48SB timer socket.	0.05 seconds to 60 hours
MS4SM-CE-ADC*	\$60.00	Fuji Electric multi-mode relay timer, 0.05 seconds to 60 hours selectable timing range, 24 VAC/VDC operating voltage, 5A contact rating, (1) DPDT timed relay output(s), socket mount, 11-pin. Requires Fuji Electric TP411X or TP411SBA timer socket.	0.05 seconds to 60 hours
MS4SA-CE-ADC*	\$60.00	Fuji Electric on-delay relay timer, 0.05 seconds to 60 hours selectable timing range, 24 VAC/VDC operating voltage, 5A contact rating, (1) DPDT timed relay output(s), socket mount, 8-pin. Requires Fuji Electric TP48X or TP48SB timer socket.	0.05 seconds to 60 hours
MS4SC-CE-ADC*	\$55.00	On-delay timer with selectable timing range from 0.05s to 60 hours. Input power is 24 VDC/AC. SPDT timed relay output and SPDT instantaneous relay output. 8-pin connection. UL, CSA, TÜV approved.	0.05 seconds to 60 hours
TP411X	\$8.50	Fuji Electric timer socket, 35mm DIN rail mount. For use with MS4SM series timers.	N/A
TP411SBA	\$8.50	Fuji Electric timer socket, panel mount. For use with MS4SM series timers.	
TP48X	\$8.50	Fuji Electric timer socket, 35mm DIN rail mount. For use with MS4SA and MS4SC series timers.	
TP48SB	\$8.50	Fuji Electric timer socket, panel mount. For use with MS4SA and MS4SC series timers.	
PANEL-16	\$14.50	AutomationDirect mounting clips, package of 5. For use with 1/16 DIN timers and counters.	

* Socket mounts must be purchased separately

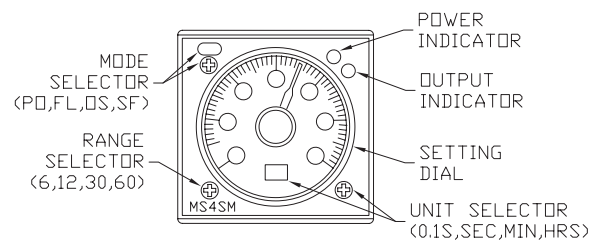
Dimensions

mm [inches]

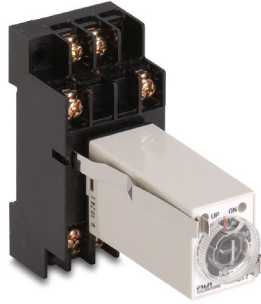
(Timer and Socket Assembly)



Control



Fuji Miniature DIN Super Timers



Overview

The ST7P is a compact and highly accurate timer. It is an on-delay operation type with a single timing range. These timers are designed to optimize mounting space in small areas. Mounting is by DIN rail or by securing directly to a panel with a fastener.

Features

- Highly accurate, with a repeat accuracy within $\pm 1\%$ at maximum setting time
- ST7P models offer a number of timing ranges. Please see Selection Guide below
- Large dial makes time setting easy
- LED indicators make it easy to monitor timer operation
- ST7P series meets UL and CSA standards

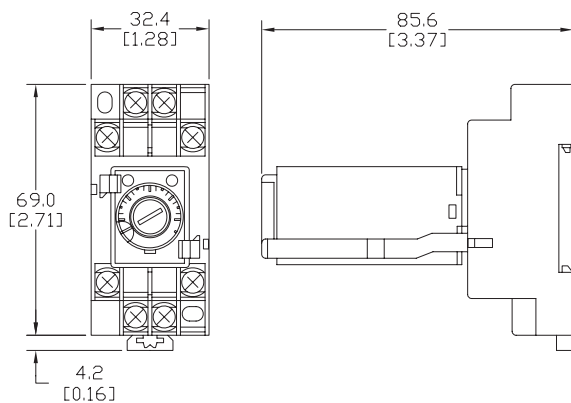
Fuji Miniature DIN Super Timers Selection Chart

Part Number	Price	Description	Voltage	Time Range
<u>ST7P-2A15S-ADC</u>	\$46.50	Mini-DIN on-delay timer with timing range of 0.4s to 5s. Input power is 100-120 VAC. DPDT relay output. UL, CSA, TÜV approved	100-120VAC	0.4 seconds to 5 seconds
<u>ST7P-2A13T-ADC</u>	\$46.50	Mini-DIN on-delay timer with timing range of 2s to 30s. Input power is 100-120 VAC. DPDT relay output. UL, CSA, TÜV approved		2 seconds to 30 seconds
<u>ST7P-2A16T-ADC</u>	\$46.50	Mini-DIN on-delay timer with timing range of 4s to 60s. Input power is 100-120 VAC. DPDT relay output. UL, CSA, TÜV approved		4 seconds to 60 seconds
<u>ST7P-2A11N-ADC</u>	\$46.50	Mini-DIN on-delay timer with timing range of 1 min. to 10 min. Input power is 100-120 VAC. DPDT relay output. UL, CSA, TÜV approved		1 minute to 10 minutes
<u>ST7P-2A16N-ADC</u>	\$46.50	Mini-DIN on-delay timer with timing range of 4 min. to 60 min. Input power is 100-120 VAC. DPDT relay output. UL, CSA, TÜV approved		4 minutes to 60 minutes
<u>ST7P-2DE5S-ADC</u>	\$46.50	Mini-DIN on-delay timer with timing range of 0.4s to 5s. Input power is 24 VDC. DPDT relay output. UL, CSA, TÜV approved	24VDC	0.4 seconds to 5 seconds
<u>ST7P-2DE3T-ADC</u>	\$46.50	Mini-DIN on-delay timer with timing range of 2s to 30s. Input power is 24 VDC. DPDT relay output. UL, CSA, TÜV approved		2 seconds to 30 seconds
<u>ST7P-2DE6T-ADC</u>	\$46.50	Mini-DIN on-delay timer with timing range of 4s to 60s. Input power is 24 VDC. DPDT relay output. UL, CSA, TÜV approved		4 seconds to 60 seconds
<u>ST7P-2DE1N-ADC</u>	\$45.00	Mini-DIN on-delay timer with timing range of 1 min. to 10 min. Input power is 24 VDC. DPDT relay output. UL, CSA, TÜV approved		1 minute to 10 minutes
<u>ST7P-2DE6N-ADC</u>	\$45.00	Mini-DIN on-delay timer with timing range of 4 min. to 60 min. Input power is 24 VDC. DPDT relay output. UL, CSA, TÜV approved		4 minutes to 60 minutes
<u>TP88X2</u>	\$8.50	DIN rail/surface mount socket for ST7P series timers. UL, CSA, TÜV approved	N/A	N/A

Dimensions

mm [inches]

Timer and Socket Assembly



Control

