

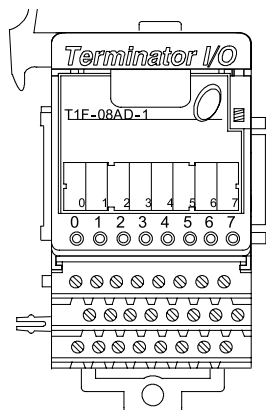
Analog Current Input Module

T1F-08AD-1 \$503.00

8-channel

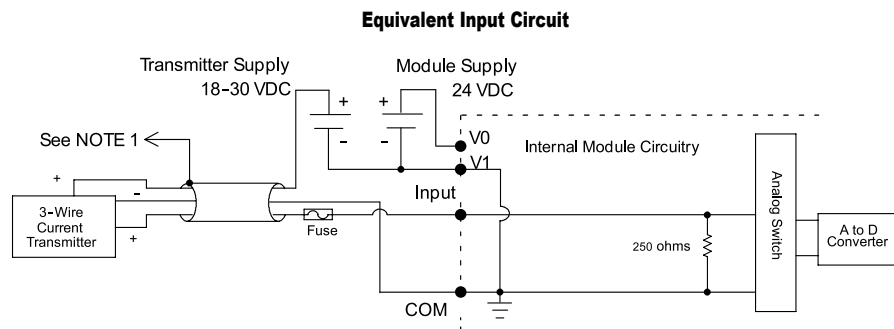
analog current input module

The 8-channel current input module uses a T1K-08B or T1K-08B-1 base, which is purchased separately.



T1F-08AD-1 Analog Input Specification	
Number of Channels	8, single-ended (1 common)
Input Ranges	-20 to 20mA, 0-20 mA, 4-20 mA
Resolution	14-bit (13-bit plus sign bit)
Frequency Response	-3db @ 500Hz, -20 db/decade
Input Resistance	250q
Absolute Max. Ratings	8V max. input
Conversion Time	Normal mode: 5 ms per channel (default); Fast mode*: 0.5 ms per channel
Linearity Error	± 2 counts max.
Input Stability	Normal mode: ± 1 count (default); Fast mode*: ± 5 counts
Full Scale Error (Offset Error Not Included)	16 counts max.
Offset Error	2 counts max.
Max. Full Scale Inaccuracy (% of full scale); All errors included	0.18% @ 25°C 0.36% @ 60°C
Master Update Rate	8 channels per scan max.
Input Points Required	256 discrete pts. or 8 Dwords (32-bit words) (Network interface dependent)
Base Power Required	75mA @ 5VDC
External Module Power Required	21.6-26.4 VDC, 50mA, class 2
Recommended Fuse	0.032 A, Series 217 Fast Acting
Weight	136g

* Fast mode is supported in module hardware version B or later.
Fast mode is only supported when using the analog module with the T1H-EBC(100) Interface module.



NOTES:

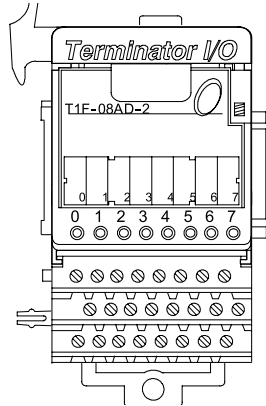
- 1: Shields should be grounded at the signal source.
- 2: More than one external power supply can be used, provided all the power supply commons are connected.
- 3: A Series 217, 0.032 A fast-acting fuse is recommended for 4-20 mA current loops.
- 4: If the power supply common of an external power supply is not connected to the 0V terminal on the module, then the output of the external transmitter must be isolated. To avoid "ground loop" errors, recommended 4-20 mA transmitter types are:
 - For 2 or 3 wire connections: Isolation between the input supply signal and the power supply.
 - For 4 wire connections: Isolation between the input supply signal, the power supply and the 4-20mA output.

Analog Voltage Input Module

T1F-08AD-2 \$503.00

8-channel analog voltage input module

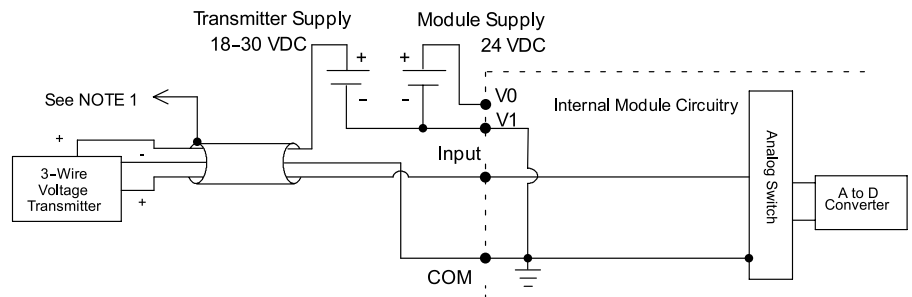
The 8-channel voltage input module uses a T1K-08B or T1K-08B-1 base, which is purchased separately.



T1F-08AD-2 Analog Input Specification	
Channels Per Module	8 single-ended (1 common)
Input Ranges	0-5 V, 0-10 V, $\pm 5V$, $\pm 10V$
Resolution	14-bit (13-bit plus sign bit)
Frequency Response	-3db @ 500Hz, -20db/decade
Input Resistance	200k Ω min.
Absolute Max. Ratings	Fault protected input 130V(rms) or 100VDC
Conversion Time	Normal mode: 5ms per channel (default); Fast mode*: 0.5 ms per channel
Linearity Error	± 2 count max.
Input Stability	Normal mode: ± 1 count (default); Fast mode*: ± 5 counts
Calibration Full Scale Error	8 counts max.
Calibration Offset Error	2 counts max.
Max. Full Scale Inaccuracy (% of full scale); All errors included	0.08% @ 25°C 0.26% @ 60°C
Master Update Rate	8 channels per scan max.
Input Points Required	256 discrete pts. or 8 Dwords (32-bit words) (Network Interface Dependent)
Base Power Required	75mA @ 5VDC
External Module Power Required	21.6-26.4 VDC, 50mA, class 2
Weight	136g

* Fast mode is supported in module hardware version B or later.
Fast mode is only supported when using the analog module with the T1H-EBC(100) Interface module.

Equivalent Input Circuit



NOTES:

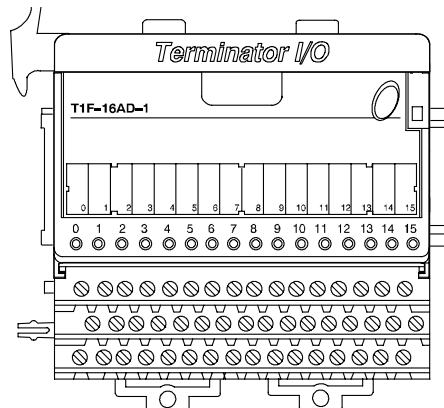
- 1: Shields should be grounded at the signal source.
- 2: Unused inputs should be connected to common (0 VDC).
- 3: More than one external power supply can be used, provided all the power supply commons are connected.

Analog Current Input Module

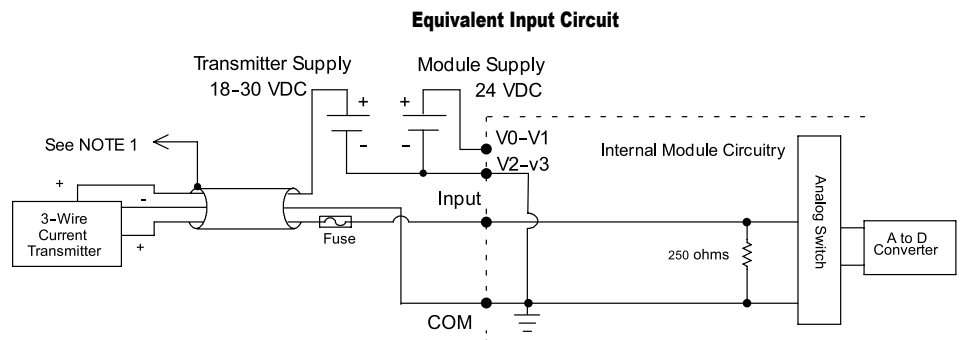
T1F-16AD-1 \$708.00

16-channel analog current input module

The 16-channel current input module uses a T1K-16B or T1K-16B-1 base, which is purchased separately.



T1F-16AD-1 Analog Input Specification	
Number of Channels	16, single ended (1 common)
Input Ranges	-20 to 20 mA, 0–20 mA, 4–20 mA
Resolution	14-bit (13-bit plus sign bit)
Frequency Response	-3db @ 500Hz, -20db/decade
Input Resistance	250q
Absolute Max. Ratings	8V max. input
Conversion Time	5ms per channel
Linearity Error	± 2 counts max.
Input Stability	± 1 count
Full Scale Error (Offset Error not included)	16 counts max.
Offset Error	2 counts max.
Max. Full Scale Inaccuracy (% of full scale). All errors included	0.18% @ 25°C 0.36% @ 60°C
Master Update Rate	16 channels per scan max.
Input Points Required	512 discrete pts. or 16 Dwords (32-bit words)(network interface dependent)
Base Power Required	75mA @ 5VDC
External Module Power Required	21.6–26.4 VDC, 50mA, class 2
Recommended Fuse	0.032 A, Series 217 fast acting
Weight	168g



NOTES:

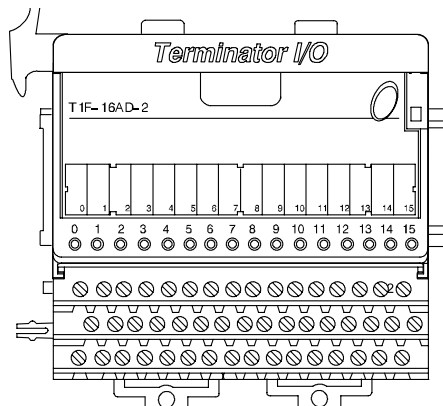
- 1: Shields should be grounded at the signal source.
- 2: More than one external power supply can be used, provided all the power supply commons are connected.
- 3: A Series 217, 0.032 A fast-acting fuse is recommended for 4-20 mA current loops.
- 4: If the power supply common of an external power supply is not connected to the 0V terminal on the module, then the output of the external transmitter must be isolated. To avoid "ground loop" errors, recommended 4-20 mA transmitter types are:
 - For 2 or 3 wire connections: Isolation between the input supply signal and the power supply.
 - For 4 wire connections: Isolation between the input supply signal, the power supply and the 4-20 mA output.

Analog Voltage Input Module

T1F-16AD-2 \$710.00

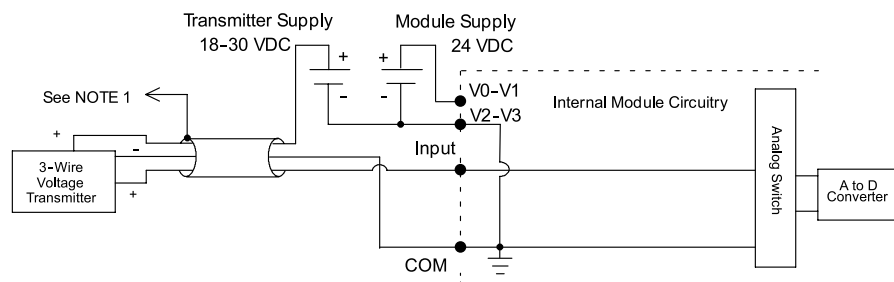
16-channel analog voltage input module

The 16-channel voltage input module uses a T1K-16B or T1K-16B-1 base, which is purchased separately.



T1F-16AD-2 Analog Input Specification	
Number of Channels	16, single ended (1 common)
Input Ranges	0-5 V, 0-10 V, ± 5V, ± 10 V
Resolution	14-bit (13-bit plus sign bit)
Frequency Response	-3db @ 500Hz, -20db/decade
Input Resistance	200k Ω min.
Absolute Max. Ratings	Fault protected input 130V (rms) or 100VDC
Conversion Time	5ms per channel
Linearity Error	± 2 count max.
Input Stability	± 1 count
Calibration Full Scale Error	8 counts max.
Calibration Offset Error	2 counts max.
Max. Full Scale Inaccuracy (% of full scale). All errors included	0.08% @ 25°C 0.26% @ 60°C
Master Update Rate	16 channels per scan max.
Input Points Required	512 discrete points or 16 Dwords (32-bit words) (Network Interface Dependent)
Base Power Required	75mA @ 5VDC
External Module Power Required	21.6-26.4 VDC, 50mA, class 2
Weight	160g

Equivalent Input Circuit



NOTES:

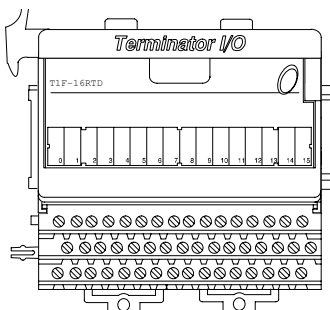
- 1: Shields should be grounded at the signal source.
- 2: Unused inputs should be connected to common (0 VDC).
- 3: More than one external power supply can be used, provided all the power supply commons are connected.

RTD Input Module

T1F-16RTD \$697.00

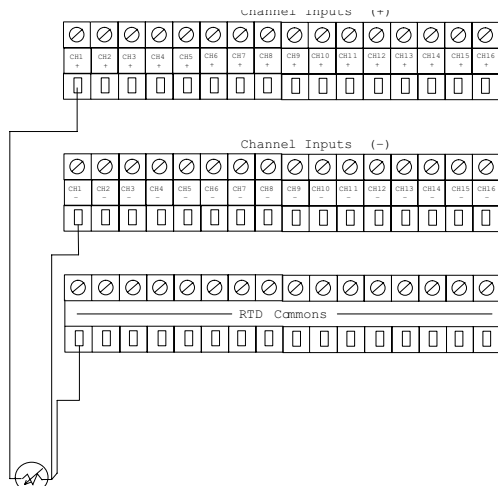
**16-channel
RTD input module**

The 16-channel RTD input module uses a T1K-16B or T1K-16B-1 base, which is purchased separately.



T1F-16RTD 16-Channel RTD Input Specifications	
Number of Channels	16
Common Mode Range	0-5 VDC
Resolution	± 0.1 °C or °F
Notch Filter	>50db notches @ 50/60 Hz; f - 3db = 13.1 Hz
Absolute Maximum Ratings	±50 VDC
Converter Type	Charge balancing, 24-bit
Master Update Rate	16 channels per scan max.
Input Points Required	512 Discrete I/O points /16 Double Words Network Interface Dependent
Sampling Rate	140ms / channel
Base Power Required	150mA max., 5VDC
Temperature Drift	25ppm / °C (max.)
Maximum Inaccuracy	± 1 °C
RTD Excitation Current	200µA
Operating Temperature	32° to 140°F (0° to 60°C)
Storage Temperature	-4° to 158°F (-20° to 70°C)
Relative Humidity	5 to 95% (non-condensing)
Environmental Air	No corrosive gases permitted
Vibration	MIL STD 810C 514.2
Shock	MIL STD 810C 516.2
Noise Immunity	NEMA ICS3-304
Weight	168g

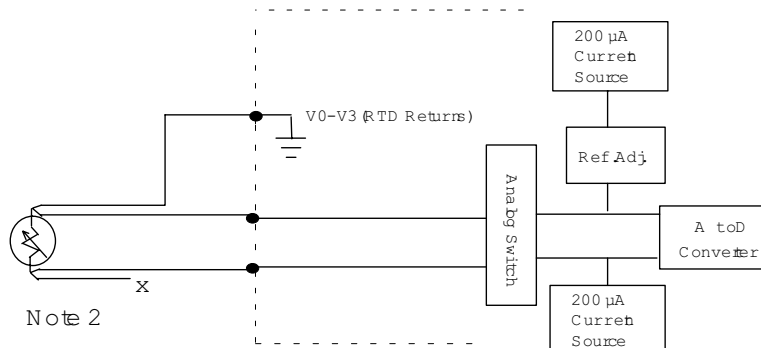
RTD Input Ranges	
Input Ranges	Pt100 -200 to 850°C -328 to 1562°F
	Pt1000 -200 to 595°C -328 to 1103°F
	Pt100 -38 to 450°C -36 to 842°F
	Type CU 10 -200°C to 260°C -328 to 500°F
	Type CU 25 -200°C to 260°C -328 to 500°F
	120Ω Nickel -80 to 260°C -112 to 500°F



Notes:

- 1: The three wires connecting the RTD to the module must be the same type and length. Do not use the shield or drain wire for the third connection.
- 2: If an RTD sensor has four wires, the plus sense wire should be left unconnected as shown.

Equivalent Input Circuit

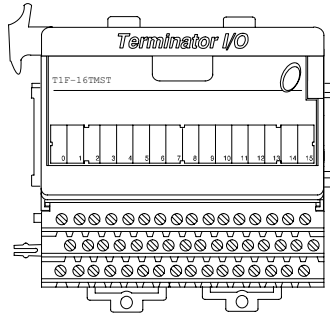


Thermistor Input Module

T1F-16TMST \$629.00

16-channel Thermistor input module

The 16-channel Thermistor input module uses a T1K-16B or T1K-16B-1 base, which is purchased separately.

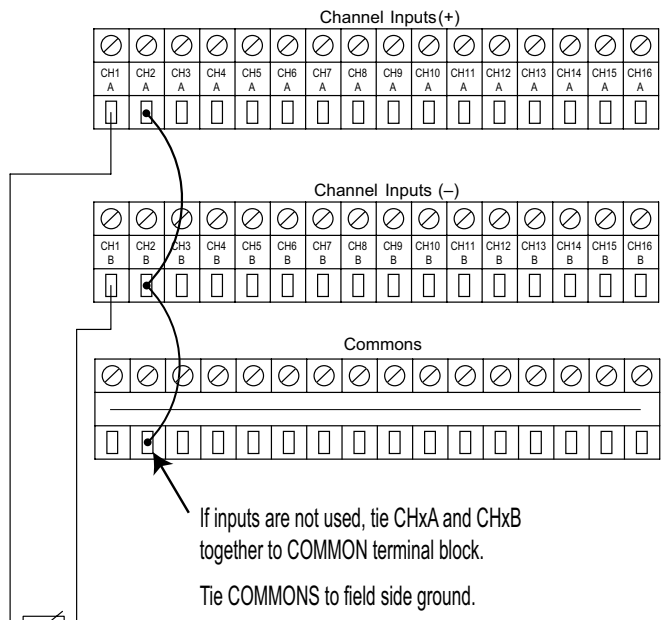
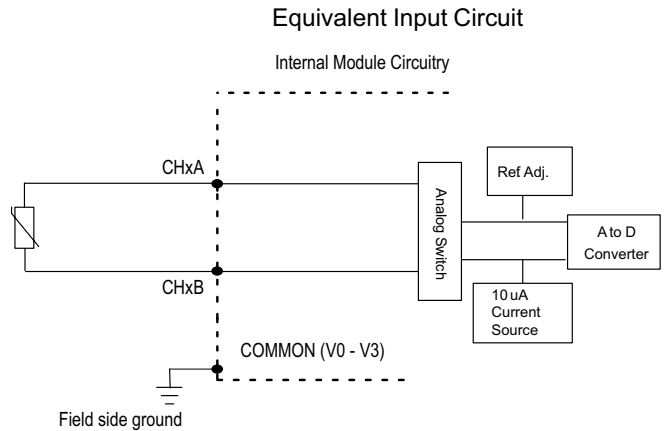


Specifications	
Number of Channels	16
Resolution	±0.1° C or °F
Input Impedance	> 1MΩ
Common Mode Range	0–5 VDC
Absolute Max. Ratings	±50VDC
Converter Type	Charge balancing, 24-bit
Sampling Rate	140ms / channel
Master Update Rate	16 channels per scan max.
Input Points Required	512 discrete pts. or 16 dwords (d (double) word = 32 bit word) Network Interface dependent
Base Power Required	150mA @ 5VDC
Operating Temperature	0° to 60° C (32° to 140° F)
Storage Temperature	-20° to 70° C (-4° to 158° F)
Temperature Drift	25ppm / °C (max.)
Maximum Inaccuracy 1	±1°C
Excitation Current	10µA
Electrical Isolation	1500VDC field wire to backplane
Relative Humidity	5 to 95% (non-condensing)
Environmental Air	No corrosive gases permitted
Vibration	IEC 60068-2-6 (Test FC)
Shock	IEC 60068-2-27 (Test Ea)
Noise Immunity	EN61131-2:2007 2
Recommended Cable	AutomationDirect P/N: PLTC3-16-1S-1-(XXX) Belden 8761 or equivalent
Weight	168g

1 "Accuracy" pertains to module only and does not include tolerances of thermistor element, wiring resistance, etc. For example, 22 gauge wire is 0.016Ω per foot, so 200 feet of wire adds 3.2Ω.

2 Meets EMC & Safety Requirements

Thermistor Input Ranges	
Input Ranges	Range
10K-AN (Type 3)	-40° to 150° C (-40° to 300° F)
10K-CP (Type 2)	-40° to 150° C (-40° to 300° F)
5K	-40° to 150° C (-40° to 300° F)
3K	-40° to 150° C (-40° to 300° F)
2252	-40° to 150° C (-40° to 300° F)
1.8K	-40° to 150° C (-40° to 300° F)

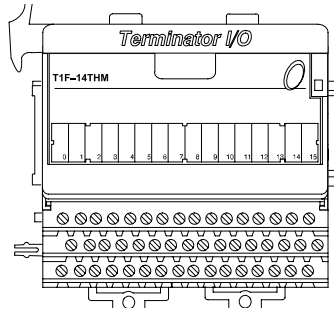


Thermocouple Input Module

T1F-14THM \$915.00

14-channel thermocouple input module

The 14-channel thermocouple input module uses a T1K-16B screw-type terminal base only, which is purchased separately.

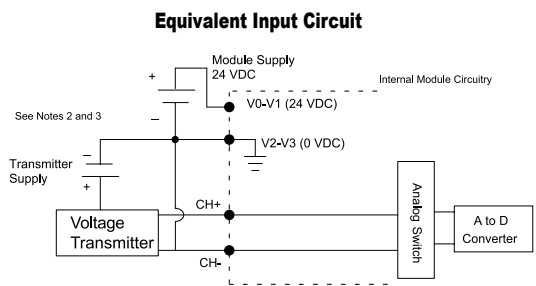
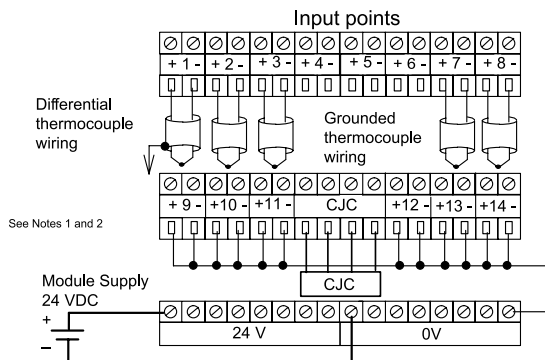


T1F-14THM 14-Channel Thermocouple Input Specifications	
Use I/O Base	T1K-16B Only
Number of Channels	14, differential
Common Mode Range	±5VDC
Common Mode Rejection	90dB min. @ DC, 150dB min. @ 50/60 Hz.
Input Impedance	1 MΩ
Absolute Maximum Ratings	Fault-protected inputs to ±50VDC
Accuracy vs. Temperature	±5 ppm/°C maximum full scale calibration. (including maximum offset change)
Master Update Rate	14 channels per scan max.
Input Points Required	512 Discrete I/O points /16 Double Words Network Interface Dependent
External Module Power Required	70mA maximum, 24VDC ± 5%
Base Power Required	60mA max., 5VDC
Operating Temperature	32° to 140°F (0° to 60°C)
Storage Temperature	-4° to 158°F (-20° to 70°C)
Relative Humidity	5 to 95% (non-condensing)
Environmental Air	No corrosive gases permitted
Vibration	MIL STD 810C 514.2
Shock	MIL STD 810C 516.2
Noise Immunity	NEMA ICS3-304
Weight	168g

Thermocouple Specifications (Cont.)	
Input Ranges	Type J -190 to 760°C -310 to 1400°F
	Type E -210 to 1000°C -346 to 1832°F
	Type K -150 to 1372°C -238 to 2502°F
	Type R 65 to 1768°C 149 to 3214°F
	Type S 65 to 1768°C 149 to 3214°F
	Type T -230 to 400°C -382 to 752°F
	Type B 529 to 1820°C 984 to 3308°F
	Type N -70 to 1300°C -94 to 2372°F
	Type C 65 to 2320°C 149 to 4208°F
	Type C 65 to 2320°C 149 to 4208°F
Display Resolution	±0.1 °C or ±0.1 °F
Cold Junction Compensation	Automatic; CJC (part #: T1F-CJC) included with module must be installed in terminal base (refer to the module's data sheet)
Conversion Time	100ms
Warm-Up Time	30 minutes typically ± 1°C repeatability
Linearity Error (End to End)	±.05 °C maximum, ±.01°C typical
Maximum Inaccuracy	±3 °C (excluding thermocouple error)
Voltage Input Specifications	
Voltage Ranges	0-5 V, ±5V, 0-156.25 mV, ±156.25 mVDC
Resolution	16 bit (1 in 65535)
Full Scale Calibration Error (Offset Error Included)	±13 counts typical ±33 maximum
Offset Calibration Error	±1 count maximum, @ 0V input
Linearity Error (End to End)	±1 count maximum
Maximum Inaccuracy	±0.02% @ 25°C (77°F)

Notes:

- 1: Shields should be grounded at the signal source.
- 2: Connect unused inputs to a common terminal (0 VDC).
- 3: When using 0-156 mV and 5V ranges, connect (-) or (0) volts terminal to 0V to ensure common mode range acceptance.
- 4: The Cold Junction Compensation (CJC) temperature sensing unit must be installed into the I/O base terminals to perform CJC of the thermocouple inputs.

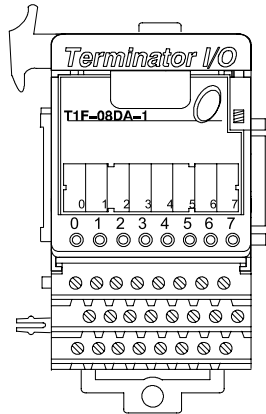


Analog Current Output Module

T1F-08DA-1 \$645.00

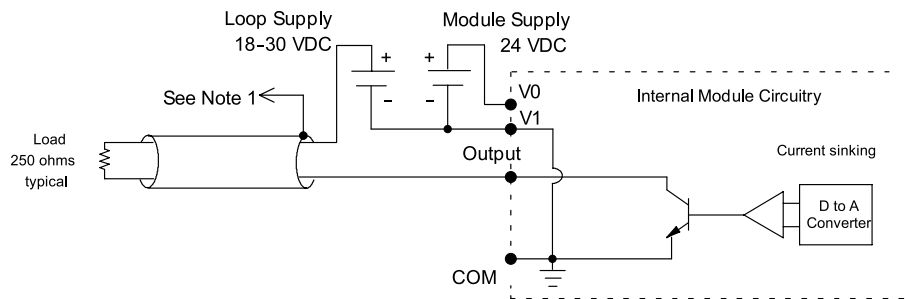
8-channel analog current output module

The 8-channel current output module uses a T1K-08B or T1K-08B-1 base, which is purchased separately.



T1F-08DA-1 Analog Output Specification	
Channels Per Module	8
Output Ranges	0–20 mA, 4–20 mA
Output Type	Single-ended, 1 common
Resolution	12-bit (1 in 4096)
Max. Loop Supply	30VDC
Peak Output Voltage	30VDC
Load Impedance	0 Ω (min)
Max. Load (ohm) / Power Supply	620/18 V, 910/24 V, 1200/30 V
Min. Load (ohm) / Power Supply	0 Ω/24 V, 350/30 V @ 40°C 250 Ω/24V, 600/30 V @ 60°C
Linearity Error (end to end)	± 2 counts max. ± 0.05% of full scale max.
Conversion Settling Time	400µs max. full scale change
Full Scale Calibration Error	± 12 counts max.
Offset Calibration Error	0–20 mA: ± 6 counts max. 4–20 mA: ± 6 counts max.
Accuracy vs. Temperature	± 50 ppm/°C full scale calibration change
Max. Full Scale Inaccuracy (% of full scale); all errors included	0.2% @ 25°C 0.4% @ 60°C
Master Update Rate	8 channels per scan max.
Output Points Required	256 discrete pts. or 8 Dwords (32-bit words) (network interface dependent)
Base Power Required	75mA @ 5 VDC
External Module Power Required	21.6–26.4 VDC, 150mA, class 2
Weight	145g

Equivalent Output Circuit



NOTES:

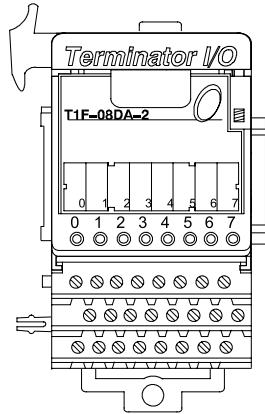
1. Shields should be connected to the 0V terminal of the module or the 0V of the power supply.
2. Unused current outputs should remain open (no connections) for minimum power consumption.

Analog Voltage Output Module

T1F-08DA-2 \$694.00

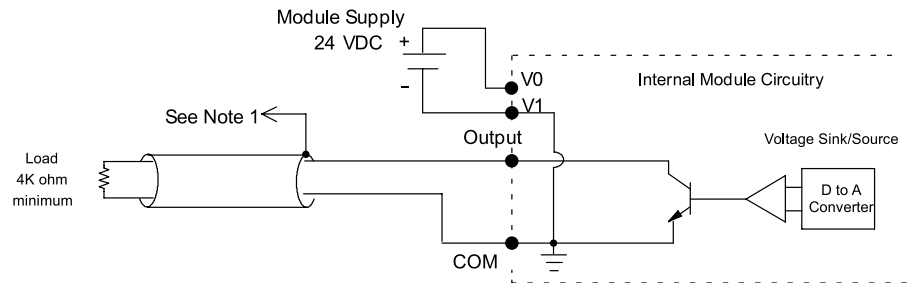
8-channel analog voltage output module

The 8-channel voltage output module uses a T1K-08B or T1K-08B-1 base, which is purchased separately.



T1F-08DA-2 Analog Output Specification	
Number of Channels	8
Output Ranges	0–5 V, 0–10V, ± 5V, ± 10V
Output Type	Single-ended, 1 common
Resolution	12-bit (1 in 4096)
Peak Output Voltage	15VDC
Load Impedance	4kΩ min.
Load Capacitance	0.01µF max.
Linearity Error (end to end)	± 2 counts max. ± 0.05% of full scale max.
Conversion Settling Time	100µs max. full scale change
Full Scale Calibration Error	± 12 counts max.
Offset Calibration Error	10V ranges: ± 6 counts max. 5V ranges: ± 11 counts max.
Accuracy vs. Temperature	± 50 ppm/°C full scale calibration change
Max. Full Scale Inaccuracy (% of full scale), all errors included	10V ranges: 0.2% @ 25°C 0.4% @ 60°C 5V ranges: 0.3% @ 25°C 0.5% @ 60°C
Master Update Rate	8 channels per scan max.
Output Points Required	256 discrete pts. or 8 Dwords (32-bit words) - network interface dependent
Base Power Required	75mA @ 5VDC
External Module Power Required	21.6–26.4 VDC, 150mA, class 2
Weight	145g

Equivalent Output Circuit



NOTES:

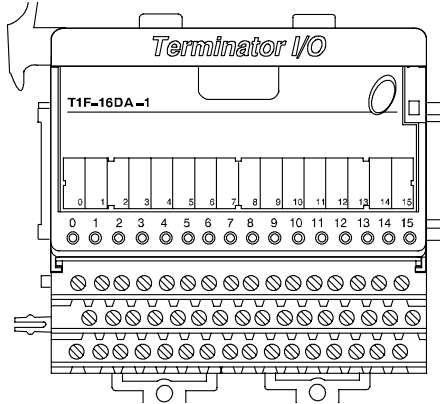
- 1: Shields should be connected to the 0V terminal of the module or the 0V of the power supply.
- 2: Unused current outputs should remain open (no connections) for minimum power consumption.

Analog Current Output Module

T1F-16DA-1 \$995.00

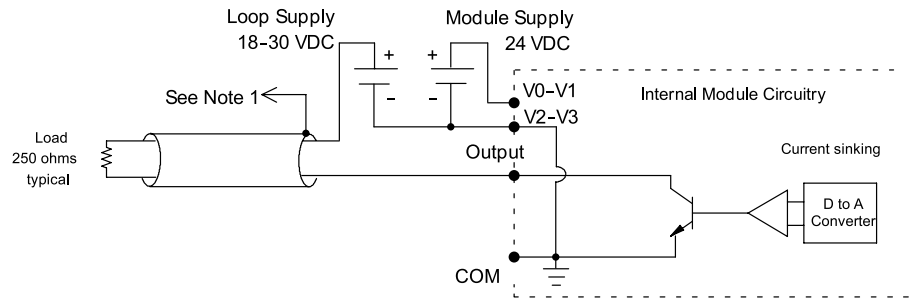
16-channel analog current output module

The 16-channel current output module uses a T1K-16B or T1K-16B-1 base, which is purchased separately.



T1F-16DA-1 Analog Output Specification	
Number of Channels	16
Output Ranges	0–20 mA, 4–20 mA
Output Type	Single-ended, 1 common
Resolution	12-bit (1 in 4096)
Max. Loop Supply	30VDC
Peak Output Voltage	30VDC
Max. Load (q) / Power Supply	620Ω/18 V; 910Ω/24 V; 1200Ω/30 V
Min. Load (q) / Power Supply	0 Ω/24V; 350Ω/30 V, @ 40°C 250 Ω/24V; 600Ω/30 V @ 60°C
Linearity Error (end to end)	± 2 counts max. ± 0.05% of full scale max.
Conversion Settling Time	100µs max. full scale change
Full Scale Calibration Error	± 12 counts max.
Offset Calibration Error	± 4 counts max.
Accuracy vs. Temperature	± 50 ppm/°C full scale calibration change
Max. Full Scale Inaccuracy (% of full scale), All errors included	0.2% @ 25°C 0.4% @ 60°C
Master Update Rate	16 channels per scan max.
Output Points Required	512 discrete points or 16 Dwords (32-bit words) (network interface dependent)
Base Power Required	75mA @ 5VDC
External Power Supply	21.6–26.4 VDC, 150mA, class 2
Weight	172g

Equivalent Output Circuit



NOTES:

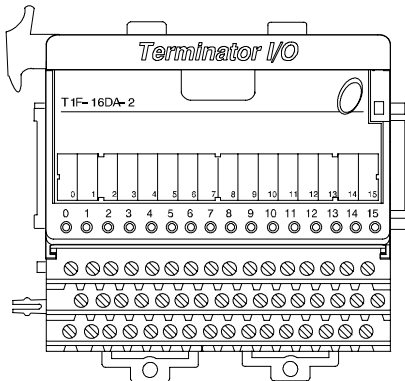
- 1. Shields should be connected to the 0V terminal of the module or the 0V of the power supply.
- 2. Unused current outputs should remain open (no connections) for minimum power consumption.

Analog Voltage Output Module

T1F-16DA-2 \$1,069.00

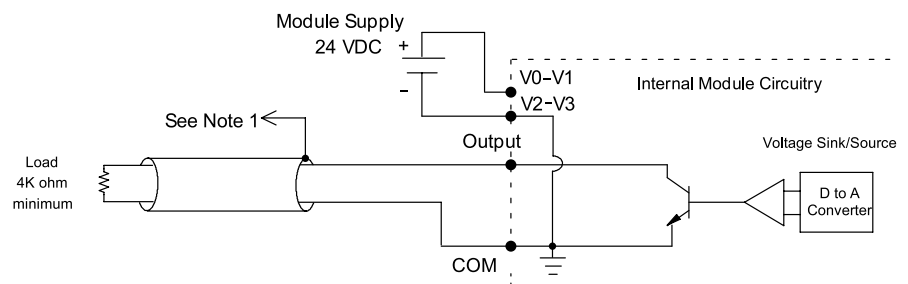
16-channel analog voltage output module

The 16-channel voltage output module uses a T1K-16B or T1K-16B-1 base, which is purchased separately.



T1F-16DA-2 Analog Output Specification	
Number of Channels	16
Output Ranges	0–5 V, 0–10 V, ± 5V, ±10V
Output Type	Single-ended, 1 common
Resolution	12 bit (1 in 4096)
Peak Output Voltage	15VDC
Load Impedance	4k Ω min.
Load Capacitance	0.01 μ F max.
Linearity Error (end to end)	± 2 counts max. ± 0.05% of full scale max.
Conversion Settling Time	100 μ s max. full scale change
Full Scale Calibration Error	± 12 counts max.
Offset Calibration Error	10V ranges: ± 6 counts max. 5V ranges: ± 11 counts max.
Accuracy vs. Temperature	± 50 ppm/°C full scale calibration change
Max. Full Scale Inaccuracy (% of full scale), All errors included	10V ranges: ± 0.2% @ 25°C ± 0.4% @ 60°C 5V ranges: ± 0.3% @ 25°C ± 0.5% @ 60°C
Master Update Rate	16 channels per scan max.
Output Points Required	512 discrete points or 16 Dwords (32-bit words) (Network Interface Dependent)
Base Power Required	75mA @ 5VDC
External Power Supply	21.6–26.4 VDC, 150mA, class 2
Weight	172g

Equivalent Output Circuit



NOTES:

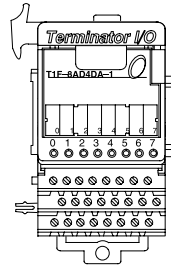
- 1: Shields should be connected to the 0V terminal of the module or the 0V of the power supply.
- 2: Unused current outputs should remain open (no connections) for minimum power consumption.

Analog Current Combination Module

T1F-8AD4DA-1 \$613.00

8-channel analog current input
4-channel analog current output

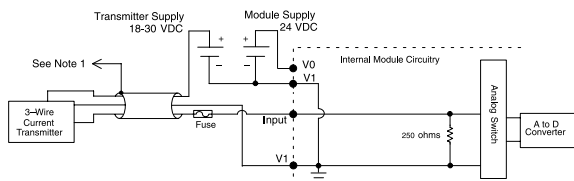
The combination 8-in and 4-out current module uses a T1K-08B or T1K-08B-1 base, which is purchased separately.



T1F-8AD4DA-1 Analog Input Specification	
Number of Channels	8, single-ended (1 common)
Input Ranges	-20 to 20 mA, 0-20 mA, 4-20 mA
Resolution	14-bit (13-bit plus sign bit)
Frequency Response	-3db @ 500Hz, -20db/decade
Input Resistance	250Ω
Absolute Max. Ratings	8V max. input
Conversion Time	5ms per channel
Linearity Error	± 2 counts max.
Input Stability	± 1 count
Full Scale Error (Offset Error not included)	16 counts max.
Offset Error	2 counts max.
Max. Full Scale Inaccuracy (% of full scale), all errors included	0.18% @ 25°C 0.36% @ 60°C
Master Update Rate	8 channels per scan max.
Input Points Required	256 discrete pts. or 8 Dwords (32-bit words) (Network Interface Dependent)
Base Power Required	75mA @ 5VDC
External Power Required	21.6-26.4 VDC, 60mA, class 2 (plus 20mA per output loop)
Recommended Fuse	0.032 A, Series 217 Fast Acting
Weight	136g

Analog Output Specification	
Channels Per Module	4, sink/source by wiring
Output Ranges	4-20 mA
Output Type	Single-ended, 1 common
Resolution	12-bit (1 in 4096)
Max. Loop Supply	30VDC
Source Load / Loop Power Supply	0-400 Ω / 18-30 VDC
Sink Load / Loop Power Supply	0-600 Ω / 18VDC 0-900 Ω / 24VDC 0-1200 Ω / 30VDC
Total Load (Sink + Source)	600Ω/18V, 900Ω/24V, 1200Ω/30V
Linearity Error (End to End)	± 2 counts max. ± 0.05% of full scale max.
Conversion Settling Time	400μs max. full scale change
Full Scale Calibration Error (Note: source error depends upon the load from the source terminal to ground)	SINK: ± 12 counts max. @ any load SOURCE: ± 26 counts max. @ 400Ω ± 18 counts max. @ 250Ω ± 12 counts max. @ 125Ω
Offset Calibration Error	SINK: ± 6 counts max. @ any load SOURCE: ± 10 counts max. @ 400Ω ± 8 counts max. @ 250Ω ± 6 counts max. @ 125Ω
Max. Full Scale Inaccuracy (% of Full Scale) All Errors Included	SINK: (any load) 0.3% @ 25°C (any load) 0.5% @ 60°C SOURCE: 400Ω load 0.63% @ 25°C 400Ω 0.83% @ 60°C 250Ω 0.44% @ 25°C 250Ω load 0.64% @ 60°C 125Ω load 0.30% @ 25°C 125Ω load 0.50% @ 60°C
Master Update Rate	4 channels per scan max.
Output Points Required	128 discrete pts. or 4 Dwords (32-bit words) (network interface dependent)

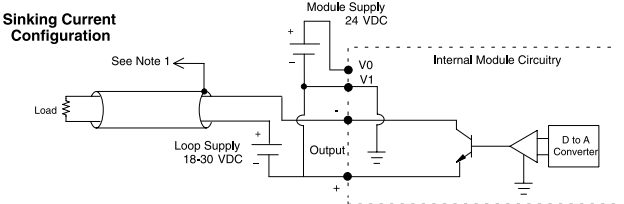
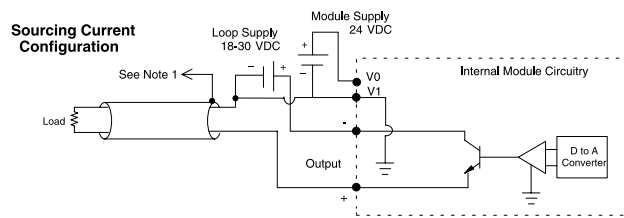
Equivalent Input Circuit



NOTES:

- 1: Shields should be grounded at the signal source.
- 2: More than one external power supply can be used, provided all the power supply commons are connected.
- 3: A Series 217, 0.032 A fast-acting fuse is recommended for 4-20 mA current loops.
- 4: If the power supply common of an external power supply is not connected to the 0V terminal on the module, then the output of the external transmitter must be isolated. To avoid "ground loop" errors, recommended 4-20 mA transmitter types are:
 - For 2 or 3 wire connections: Isolation between the input supply signal and the power supply.
 - For 4 wire connections: Isolation between the input supply signal, the power supply and the 4-20 mA output.

Equivalent Output Circuit



NOTES:

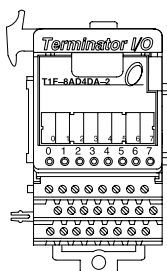
- 1: Shields should be connected to the 0V terminal of the module or the 0V of the power supply.
- 2: Unused current outputs should remain open (no connections) for minimum power consumption.

Analog Voltage Combination Module

T1F-8AD4DA-2 \$613.00

**8-channel analog voltage input
4-channel analog voltage output**

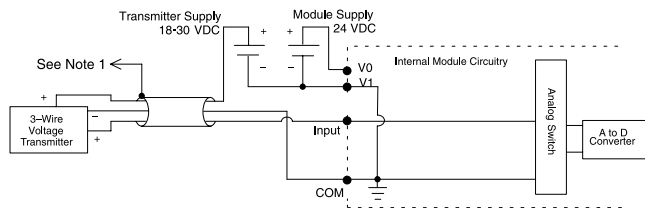
The combination 8-in and 4-out voltage module uses a T1K-08B or T1K-08B-1 base, which is purchased separately.



T1F-8AD4DA-2 Analog Input Specification	
Channels Per Module	8 single-ended (1 common)
Input Ranges	0-5 V, 0-10 V, ± 5V, ± 10 V
Resolution	14-bit (13-bit plus sign bit)
Frequency Response	-3db @ 500Hz, -20db/decade
Input Resistance	200kΩ min.
Absolute Max. Ratings	Fault Protected Input 130V (rms) or 100VDC
Conversion Time	5.5 ms per channel
Linearity Error	± 2 count max.
Input Stability	± 1 count
Calibration Full Scale Error	8 counts max.
Calibration Offset Error	2 counts max.
Max. Full Scale Inaccuracy (% of full scale), all errors included	0.08% @ 25°C 0.26% @ 60°C
Master Update Rate	8 channels per scan max.
Input Points Required	256 discrete pts. or 8 dwords (32-bit words) (Network Interface Dependent)
Base Power Required	75mA @ 5VDC
External Power Supply	21.6-26.4 VDC, 70mA, class 2
Weight	136g

T1F-8AD4DA-2 Analog Output Specification	
Number of Channels	4
Output Ranges	0-5 V, 0-10 V, ± 5V, ± 10V
Output Type	Single ended, 1 common
Resolution	12-bit (1 in 4096)
Peak Output Voltage	15VDC
Load Impedance	4kΩ min.
Load Capacitance	0.01 μF max.
Linearity Error (End to End)	± 2 counts max. ± 0.05% of full scale max.
Conversion Settling Time	300μs max. full scale change
Full Scale Calibration Error	± 12 counts max.
Offset Calibration Error	10V ranges: ± 5 counts max. 5V ranges: ± 9 counts max.
Accuracy vs. Temperature	± 50 ppm/°C full scale calibration change
Max. Full Scale Inaccuracy (% of full scale) All errors and temp drift included	10V ranges: ± 0.2% @ 25°C ± 0.4% @ 60°C 5V ranges: ± 0.3% @ 25°C ± 0.5% @ 60°C
Master Update Rate	4 channels per scan max.
Output Points Required	128 discrete pts. or 4 Dwords (32-bit words) (Network Interface Dependent)

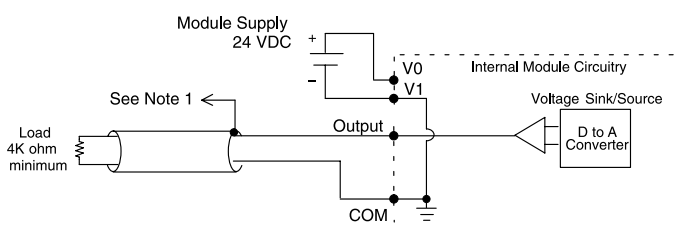
Equivalent Input Circuit



NOTES:

- 1: Shields should be grounded at the signal source.
- 2: Unused inputs should be connected to common (0 VDC).
- 3: More than one external power supply can be used, provided all the power supply commons are connected.

Equivalent Output Circuit



NOTES:

- 1: Shields should be connected to the 0V terminal of the module or the 0V of the power supply.
- 2: Unused current outputs should remain open (no connections) for minimum power consumption.

Dimensions and Installation

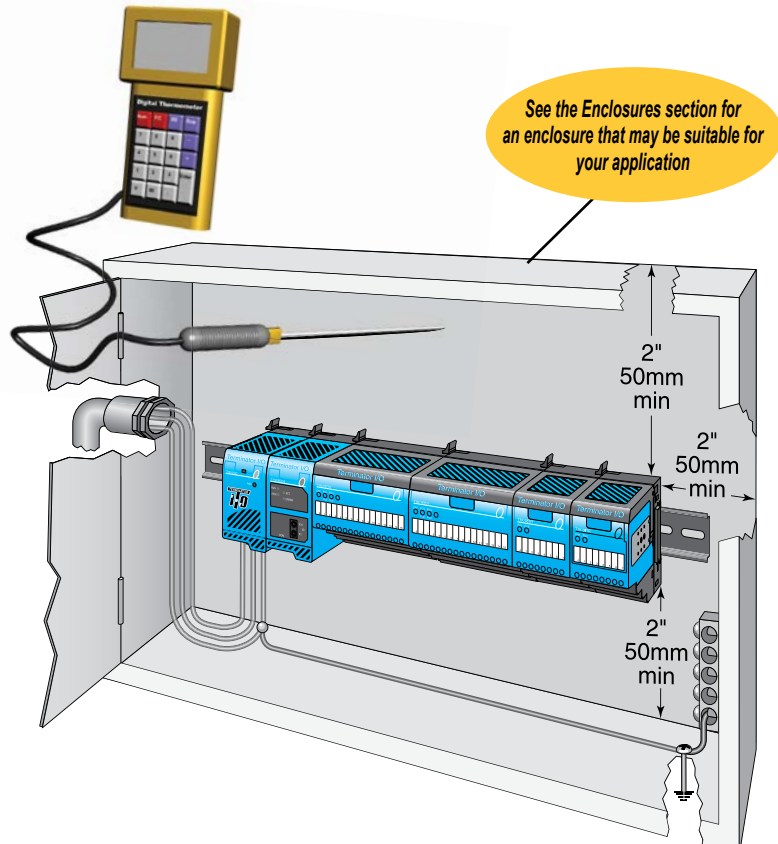
It is important to understand the installation requirements for your Terminator I/O system. This will ensure that the Terminator I/O products work within their environmental and electrical limits.

Plan for safety

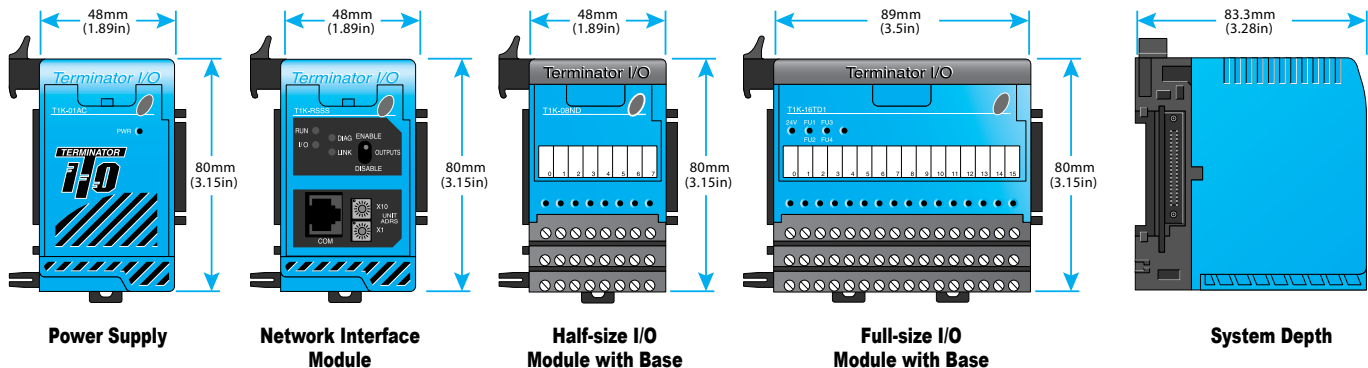
This catalog should never be used as a replacement for the technical data sheet that comes with the products or the T1K-INST-M Installation and I/O Manual (available online at www.automationdirect.com.) The technical data sheet contains information that must be followed. The system installation should comply with all appropriate electrical codes and standards.

Unit dimensions and mounting orientation

Use the following diagrams to decide if the Terminator I/O system can be installed in your application. Terminator I/O units should be mounted horizontally. To ensure proper airflow for cooling purposes, units should not be mounted upside-down. It is important to check the Terminator I/O dimensions against the conditions required for your application. For example, it is recommended to leave 2" depth for ease of access and cable clearance. However, your distance may be greater or less. Also, check the installation guidelines for the recommended cabinet clearances.



Terminator I/O Environmental Specifications	
Ambient Operating Temperature	32°F to 131°F (0°C to 55°C)
Storage Temperature	-4°F to 158°F (-20°C to 70°C)
Ambient Humidity	5% to 95% (Non-condensing)
Atmosphere	No corrosive gases. The level of environmental pollution = 2 (UL 840)
Vibration Resistance	MIL STD 810C, Method 514.2
Shock Resistance	MIL STD 810C, Method 516.2
Voltage Withstand (Dielectric)	1500VAC, 1 minute
Insulation Resistance	500 VDC, 10 M Ω
Noise Immunity	NEMA ICS3-304 Impulse noise 1 μ s, 1000V FCC class A RFI (144MHz, 430MHz 10W, 10cm)
Agency Approvals	UL, CE, FCC class A, NEC Class 1 Division 2



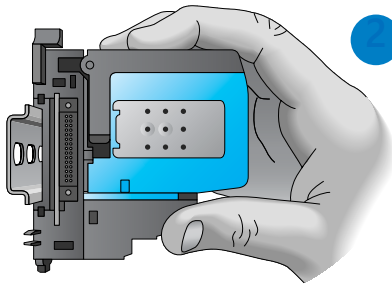
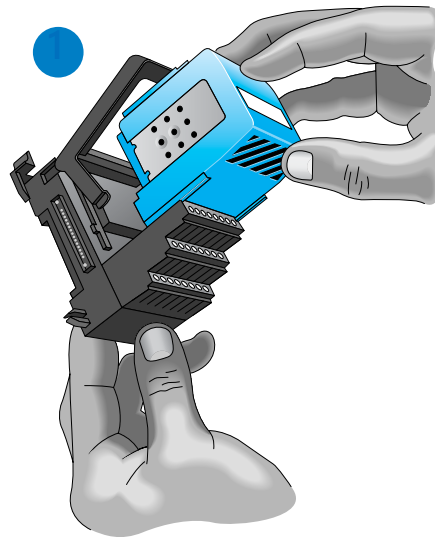
I/O Module Installation

I/O module installation

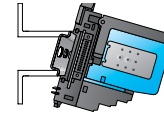
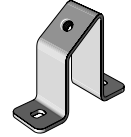
Terminator I/O modules feature separate terminal bases for easy installation.

To install I/O modules:

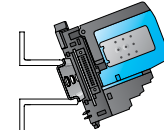
1. Slide the module into its terminal base (until it clicks into position)
2. Hook upper DIN rail tabs over the top of DIN rail, and press the assembly firmly onto the DIN rail.
3. Slide the module along the DIN rail until it engages with the adjacent module.



DN-ASB1 angled mounting bracket

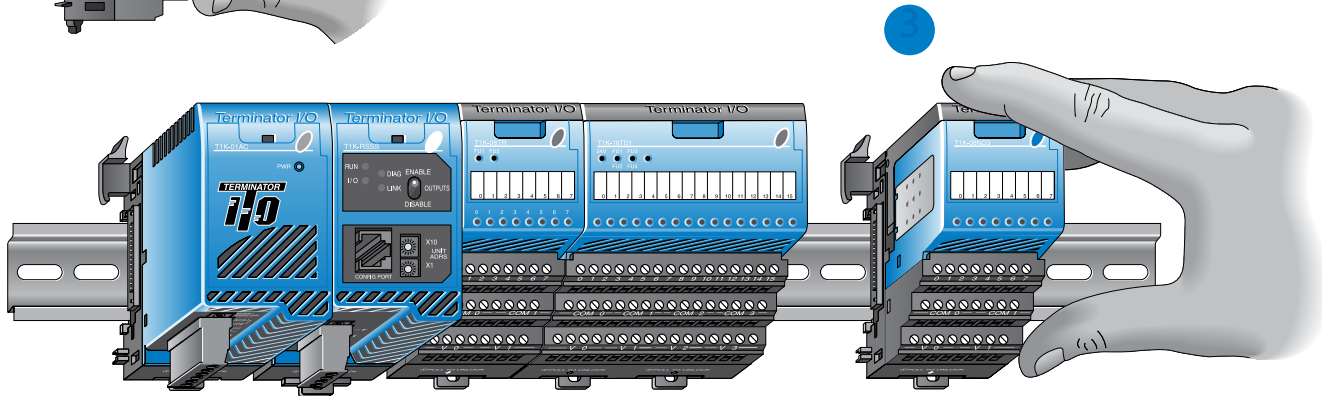


Great for mounting in upper locations



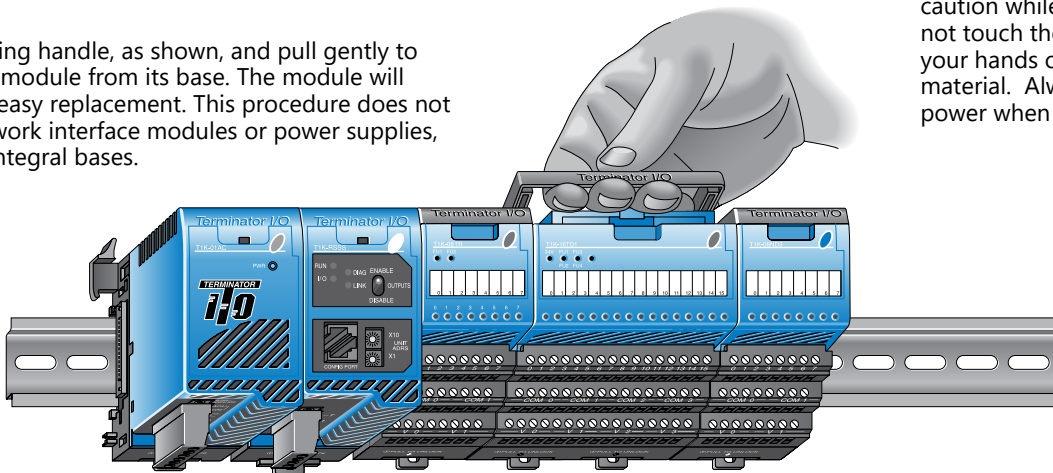
Great for mounting in lower locations

Optional angled support bracket raises and tilts the mounting rail for easier access and wiring. Use with 35mm DIN rail. See the Connection Systems in this catalog for details.



Removing I/O modules is a snap

Grip the locking handle, as shown, and pull gently to eject the I/O module from its base. The module will slide out for easy replacement. This procedure does not apply to network interface modules or power supplies, which have integral bases.



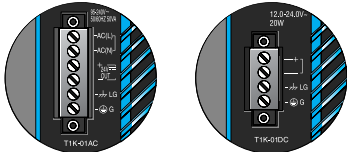
Hot-swappable I/O modules

You can remove I/O modules under power, but exercise caution while doing so. Do not touch the terminals with your hands or any conductive material. Always remove power when possible.

Power Supplies and Power Requirements

Power supplies

The Terminator I/O product line offers two power supply options: AC or DC. The power supplies are always positioned to the left of the modules to which they supply power. Consult the system configuration examples and the power budgeting example for more information on positioning power supplies.



Power supply specifications

Power Supply Specifications		T1K-01AC \$159.00	T1K-01DC \$167.00
Input Voltage Range		110/220 VAC	12/24 VDC
Input Frequency		50/60 Hz	N/A
Maximum Power		50VA	30W
Max. Inrush Current		20A	10A
Insulation Resistance		> 10M Ω @ 500 VDC	
Voltage Withstand		1 min. @ 1500VAC between primary, secondary and field ground	
5VDC PWR	Voltage	5.25 VDC	5.25 VDC
	Current Rating	2000 mA max (see current option note below)	2000mA max
	Ripple	5% max.	5% max.
24VDC PWR	Voltage	24VDC	N/A
	Current Rating	300mA max. (see current option note below)	N/A
	Ripple	10% max.	N/A
Fuse	1 (primary), not replaceable		
Replacement Terminal Block (Phoenix Contact)	MVSTBW 2.5/4-ST- 5.08 BK	MVSTBW 2.5/6-ST- 5.08 BK	
Note: 500mA @ 24VDC can be achieved by lowering the 5VDC from 2000mA to 1500mA.			

Power requirements

Module	5VDC	24VDC	Module	5VDC	24VDC	Module	5VDC	24VDC		
Interface Modules			DC Output Modules			Analog Input Modules				
T1H-EBC100	300	0	T1H-08TDS	200	0	T1F-08AD-1	75	50*		
T1K-DEVNETS	250	45	T1K-08TD1	100	200*	T1F-08AD-2	75	50*		
T1K-MODBUS	300	0	T1K-16TD1	200	400*	T1F-16AD-1	75	50*		
DC Input Modules			T1K-08TD2-1	200	0	T1F-16AD-2	75	50*		
T1K-08ND3	35	0	T1K-16TD2-1	200	0	T1F-16RTD	150	0		
T1K-16ND3	70	0	AC Output Modules			T1F-16TMST	150	0		
AC Input Modules			T1K-08TA			250	0	T1F-14THM	60	70*
T1K-08NA-1	35	0	T1K-16TA			450	0	Analog Output Modules		
T1K-16NA-1	70	0	T1K-08TAS			300	0	T1F-08DA-1	75	150*
AC Output Modules			Relay Output Modules			Combination Analog Modules				
T1K-08TR			T1K-08TR			350	0	T1F-16DA-1	75	150*
T1K-16TR			T1K-16TR			700	0	T1F-16DA-2	75	150*
T1K-08TRS			T1K-08TRS			400	0	Specialty Modules		
T1K-16TRS			T1H-CTRIO			400	0	T1F-8AD4DA-1	75	60*
Specialty Modules			T1F-8AD4DA-2			75	70*	* Use either internal or external source for 24VDC		
T1H-CTRIO			T1F-8AD4DA-2			75	70*	* Use either internal or external source for 24VDC		

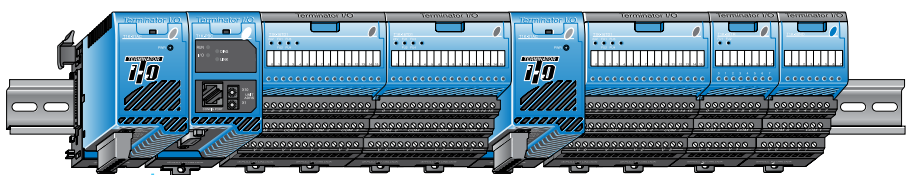
Calculating the power budget

To calculate the power budget, read the available power (current rating) from the Power Supply Specifications table and subtract the power consumed by each module to the right of the power supply. Do not include modules to the right of an additional power supply.

Adding additional power supplies

Each power supply furnishes power only to the network interface and I/O modules to its right. Inserting a second power supply closes the power loop for the power supply to the left, while also powering the modules to its right. Perform a power budget calculation for each power supply in the system.

Power Budget Example		
Module	5VDC	24VDC
T1K-01AC	+2000mA	+300mA
T1H-EBC100	-300mA	-0mA
T1K-16ND3	-70mA	-0mA
T1K-16TD2	-200mA	-0mA
T1F-08AD-1	-75mA	-50mA
Remaining	+1355mA	+250mA



This power supply powers the network interface module and the next two I/O modules

This power supply powers these three I/O modules

Expansion I/O Configurations

Expansion cables

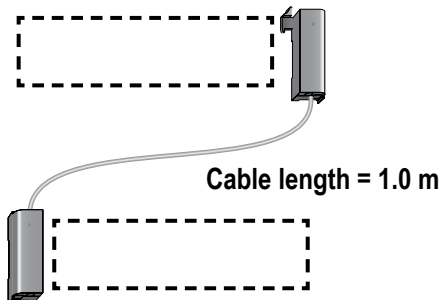
<u>T1K-10CBL</u>	\$104.00
<u>T1K-10CBL-1*</u>	\$138.00

Right side to left side expansion cable

The T1K-10CBL(-1) connects the right side of an I/O base to the left side of the next I/O base. A maximum of two T1K-10CBL(-1) cables can be used per expansion system.

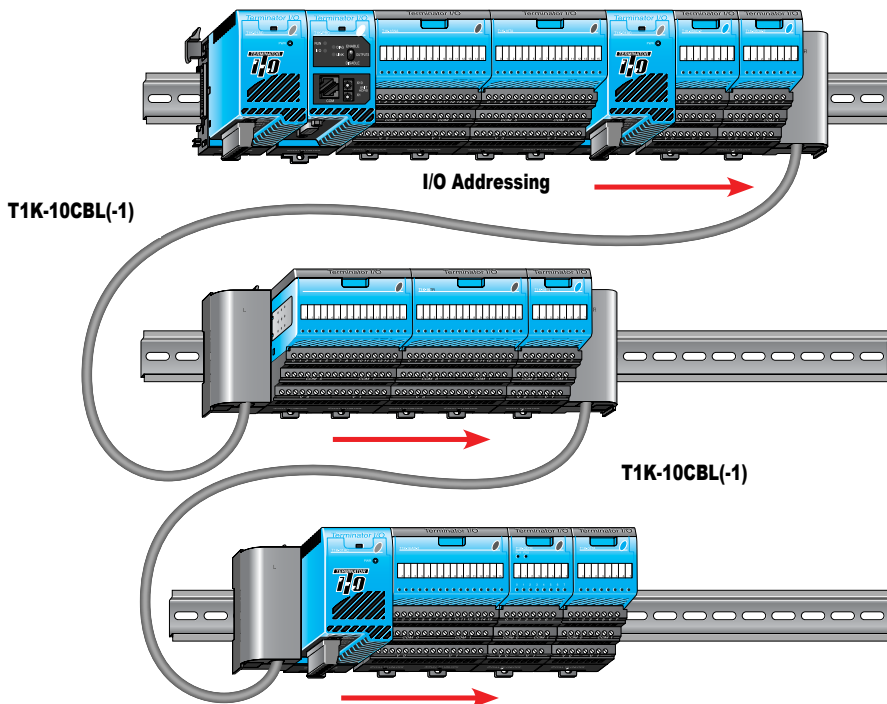


*Note: The (-1) versions of the expansion cables pass 24VDC through on an isolated wire. (All cables pass the 5VDC base power.) Any local expansion DC input module configured for "internal power" (current sourcing) must either have a power supply preceding it on the same base or, have a (-1) version cable pass 24VDC from a power supply on the preceding base.



Using two T1K-10CBL expansion cables

In the system below, power supplies can be used anywhere.



Field Device Wiring and Power Options

Terminal base specifications

Terminator I/O terminal bases are available in screw clamp and spring clamp versions for both half-size and full-size modules. Hot stamp silk screen labeling is used for numbering I/O points, commons, and all power terminals.

Terminal Base Specifications		
Terminal Type	Screw type	Spring clamp
Recommended Torque	1.77–3.54 lb-in (0.2–0.4 N·m)	N/A
Wire Gauge	Solid: 25–12 AWG	Solid: 25–14 AWG
	Stranded: 26–12 AWG	Stranded: 26–14 AWG

Field device wiring options

Power your DC input devices from the integrated 24VDC power supply bus. T1K-08ND3 and T1K-16ND3 DC input modules include jumpers for selecting the internal 24VDC power supply available for 2- and 3-wire field devices. Clearly labeled triple stack terminals make it easy to wire 2- and 3-wire devices ensuring clean wiring with only one wire per termination.

External user supplied 24VDC power, or auxiliary 24VDC terminals from T1K-01AC, can be easily applied directly to one end of the terminal rows and jumpered across each base in the system.

This is a convenient solution for powering analog I/O and discrete DC output devices whose modules do not have direct access to the internal bussed 24VDC. If current consumption increases, simply add additional T1K-01AC power supplies into the system.

Hot-swap feature

The hot-swap feature allows Terminator I/O modules to be replaced while system power is on. Be careful not to touch the terminals with your hands or other conductive material to avoid the risk of personal injury or equipment damage. Always remove power if it is equally convenient to do so.

Note: Before hot-swapping analog or

DC output modules in a Terminator I/O system, make sure that each of the analog and DC output module's 24VDC and 0 VDC base terminals are wired directly to the external power supply individually. If the external 24VDC and 0 VDC is jumpered from base to base in a daisy chain fashion, and an analog or DC output

module is removed from its base, the risk of disconnecting the external 24VDC and 0 VDC to the subsequent I/O modules exists.